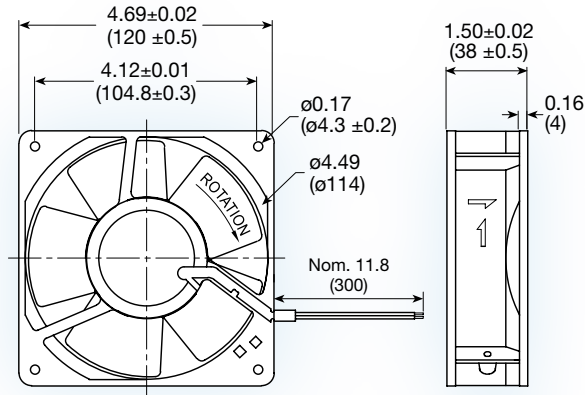


UF12AM series

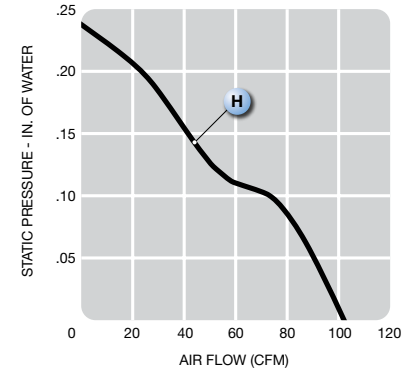
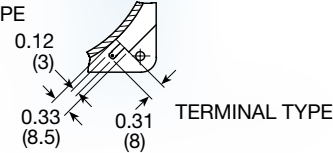


(120 x 120 x 38 mm)

4.69 x 4.69 x 1.5 inches



LEAD WIRE TYPE



Features: high temp -40°C ~ 90°C
operating temperature range

Operating voltage: 115 or 230 VAC

Construction: aluminum die cast frame;
metal impeller

Bearing option: ball bearing with high temp
lubricant

Motor: shaded pole - Class F insulation

Air Flow: exhaust over struts

Connection: terminal or 22 AWG lead wire

Protection: impedance

Option: tachometer output

Model No.	Rated Voltage V	Freq. HZ	Input Power W	Rated Cur. A	Locked Cur. A	Speed RPM	Air Volume		Max. Static Pressure (H ₂ O)		Sound Noise dB _A	Weight kg
							M ³ /Min.	CFM	MM	INCH		
UF12AM12-_H	115	60	13	0.15	0.22	3,100	2.9	103	6.0	0.24	46	0.55
UF12AM23-_H	230	60	15	0.09	0.12	3,100	2.9	103	6.0	0.24	46	0.55