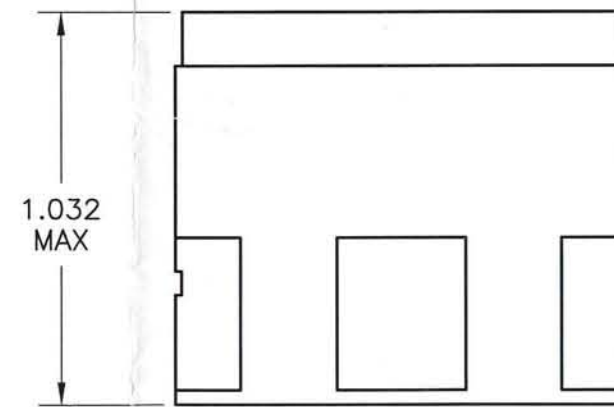
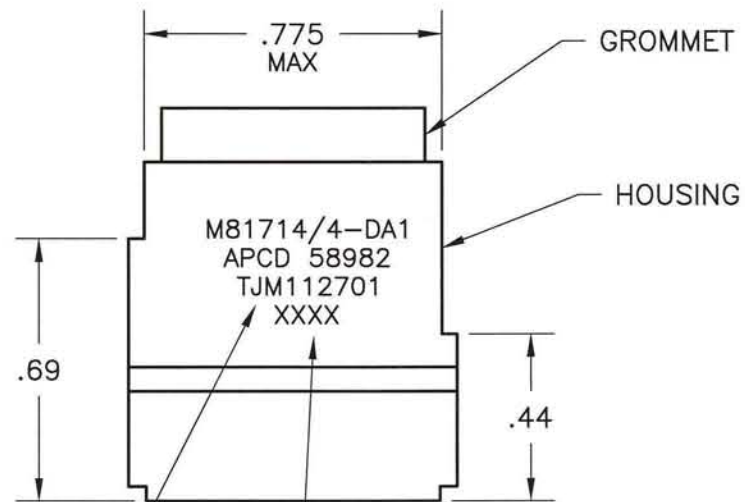
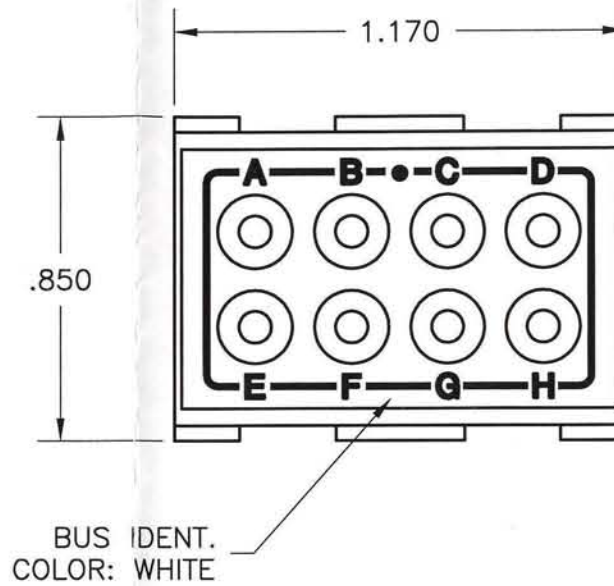


TJM112601

REV	ECN	APP'D
T	3232	JR 3/16/98
U	3305	JR 4/17/98
X	3309	JR 4/29/98
Y	-	
Z	5493	JT 8/2/04
AA	5510	DT 9/2/04

NOTES:

- REQUIREMENTS:
 - MEETS PERFORMANCE AND ENVIRONMENTAL REQUIREMENTS OF MIL-T-81714/4 REV. F.
 - MODULES ARE TO BE MOUNTED INTO RACK ASSEMBLY M81714/5 OR /16 OR COMMERCIAL EQUIVALENT.
 - DIELECTRIC WITHSTANDING VOLTAGE: 1500VRMS, 2mA LEAKAGE, 25° C AT SEA LEVEL, CONTACT TO MOUNTING RACK.
 - OPERATING TEMPERATURE: -65 C TO 200° C.
- MATERIALS:
 - HOUSING - POLYETHERIMIDE, COLOR: BLACK.
 - GROMMET - SILICONE ELASTOMER, COLOR: BLUE.
 - INTERNAL CONTACTS - COPPER ALLOY, GOLD PLATED
 - CONTACT RETAINERS - BERYLLIUM COPPER.
- PIN CONTACT CRIMP AND INSTALLATION TOOLS ARE NOT INCLUDED. REQUIREMENTS BELOW ARE FOR REFERENCE ONLY.
 - PIN CONTACTS - SEE TABLE
 - CONTACT TOOLS -
 CRIMP TOOL: M22520/1-01
 POSITIONER: M22520/1-02, YELLOW
 INSERTION/REMOVAL: M81969/14-04.
- INSPECT PARTS PER APPLICABLE INSPECTION PLAN, TJM1126XX OR TJM1127XX.



WHITE MARKING
.062 HIGH
(MARKING TYP BOTH P/N)

DATE CODE

PCD P/N	SUPPLIED	
	PIN CONTACT M39029/1-103	SEALING PLUG MS27488-12
TJM112601	NONE	NONE
TJM112701	NINE (9)	TWO (2)

DIMENSIONS ANSI Y14.5M UNITS: INCHES ACAD FILE	TOLERANCES .XX ± 01 .XXX ± 005 ANGLES ±2°	PROJECTION 	Amphenol Pcd SPECIFICATION DRAWING		TITLE TERMINAL JUNCTION MODULE SZ-12 FEEDBACK, A1 BUS		
			ENGR A. PATRIE 8/8/95 CHKD A. PATRIE 6/12/01 APPD J. RUTKOWSKI 8/15/95		SIZE B	DWG NO. TJM112601	REV AA
ORIGINAL 	THIS DOCUMENT CONTAINS PROPRIETARY INFORMATION WHICH IS THE CONFIDENTIAL PROPERTY OF AMPHENOL PCD INC. PEABODY, MA			CODE: 58982	SCALE: 2X	1 OF 1	

TJM112601

TJM112601