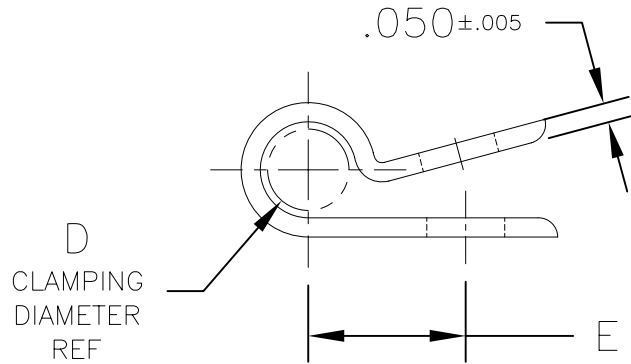
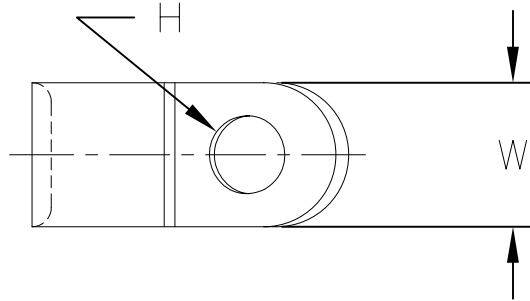


name	date	city, state

NOTES

* POLYPROPYLENE AVAILABLE BASED UPON MINIMUM VOLUME REQUIREMENTS. CONSULT FACTORY



PRODUCT CODE DESCRIPTION

T3D0312
 └── COLOR
 (CONSULT FACTORY FOR AVAILABLE COLORS)

PART NUMBER	D REF	W ±.010	H ±.015	E ±.015
T3D0125_	.125	.375	.203	.329
T3D0187_	.1875	.375	.203	.430
T3D0312_	.3125	.375	.203	.495
T3D0375_	.375	.375	.203	.595
T3D0437_	.4375	.375	.203	.574
T3D0500_	.500	.375	.203	.605
T3D0562_	.5625	.375	.203	.606
T3D0625_	.625	.375	.203	.678

REVISION	D level	01
	date	01/11/01
	by	AAM
	ECN #	002339
part level	A	

DIMENSIONS	.XXXX=	
	.XXX=	NOTED
	.XX=	
	.X=	
	∠=	
	unless otherwise specified	
units	inches	

PART	number	SEE CHART	phase	PRODUCTION
	name	T3D SERIES T CLAMPS		
	material	* NYLON 6/6		

DRAWING	FORMAT	AV	version	L	CAD	ACAD	scale	2X
	computer file number	CL\SER\2010300_01						
	drawn	A.A.M.	checked	K.A.C.	approved			
		01/11/01		01/15/01		sheet	1 of 1	
	type	SERIES						
	number	CL2010300SER						