



Chipsmall Limited consists of a professional team with an average of over 10 year of expertise in the distribution of electronic components. Based in Hongkong, we have already established firm and mutual-benefit business relationships with customers from,Europe,America and south Asia,supplying obsolete and hard-to-find components to meet their specific needs.

With the principle of "Quality Parts,Customers Priority,Honest Operation,and Considerate Service",our business mainly focus on the distribution of electronic components. Line cards we deal with include Microchip,ALPS,ROHM,Xilinx,Pulse,ON,Everlight and Freescale. Main products comprise IC,Modules,Potentiometer,IC Socket,Relay,Connector.Our parts cover such applications as commercial,industrial, and automotives areas.

We are looking forward to setting up business relationship with you and hope to provide you with the best service and solution. Let us make a better world for our industry!



Contact us

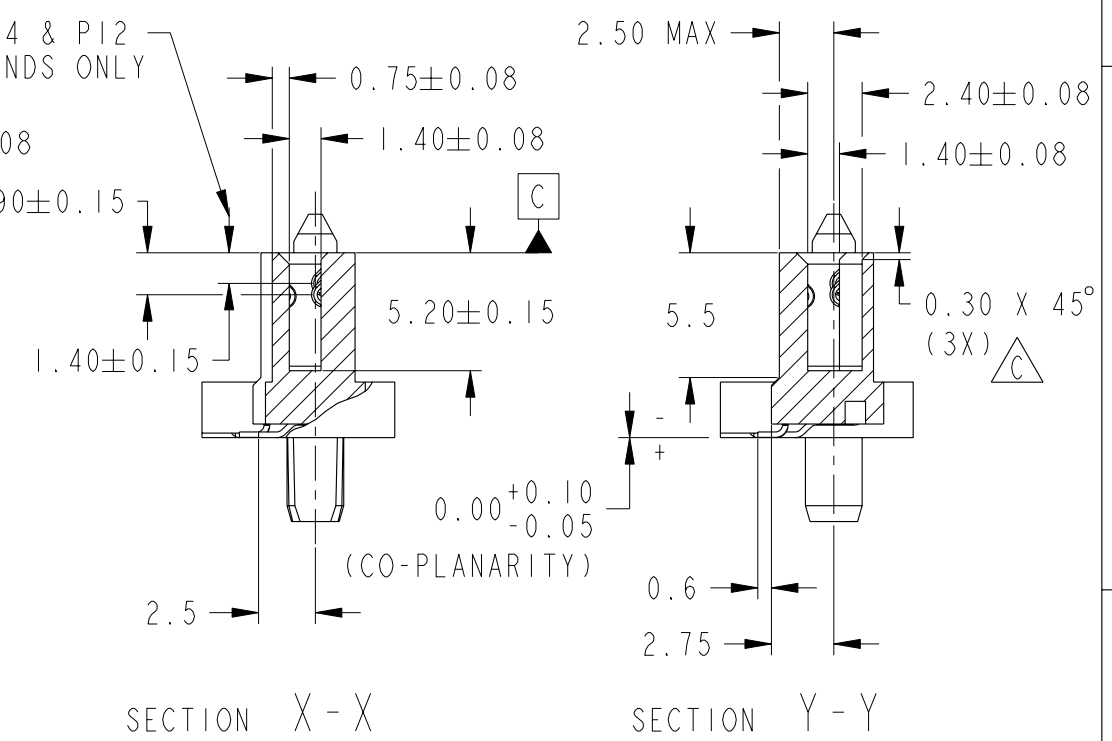
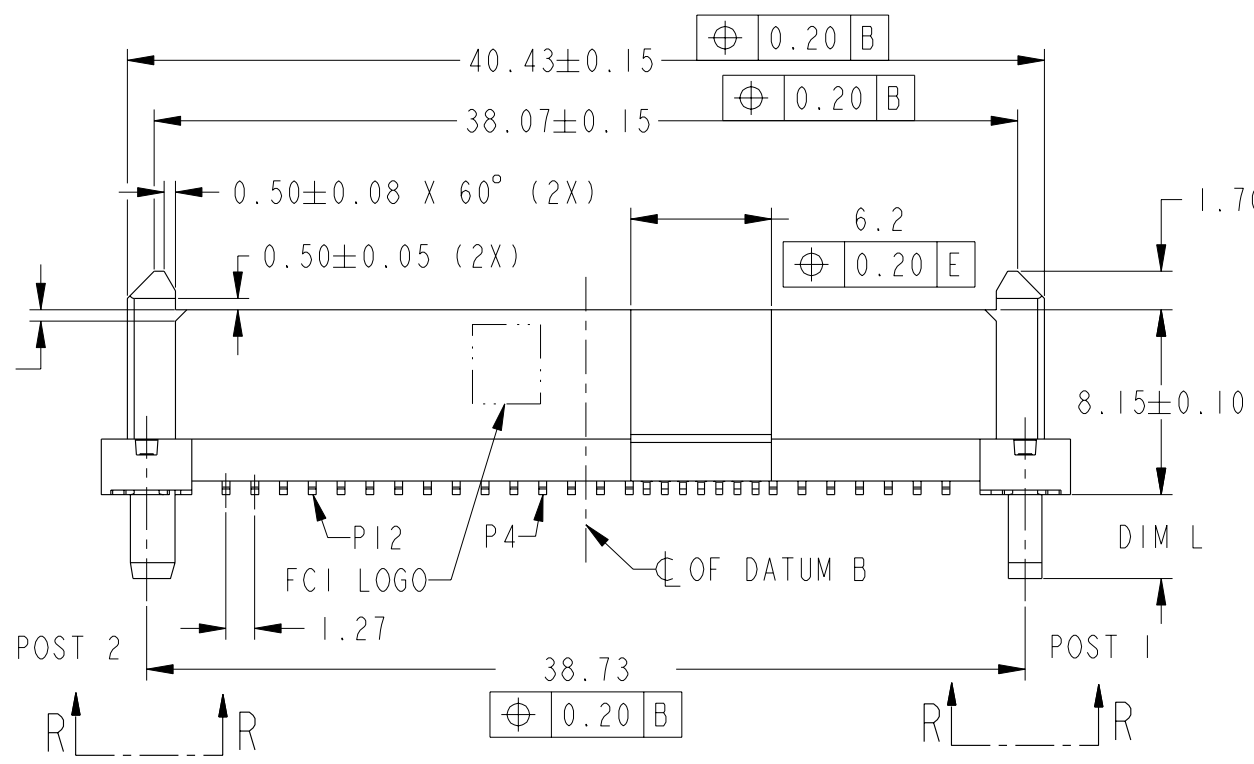
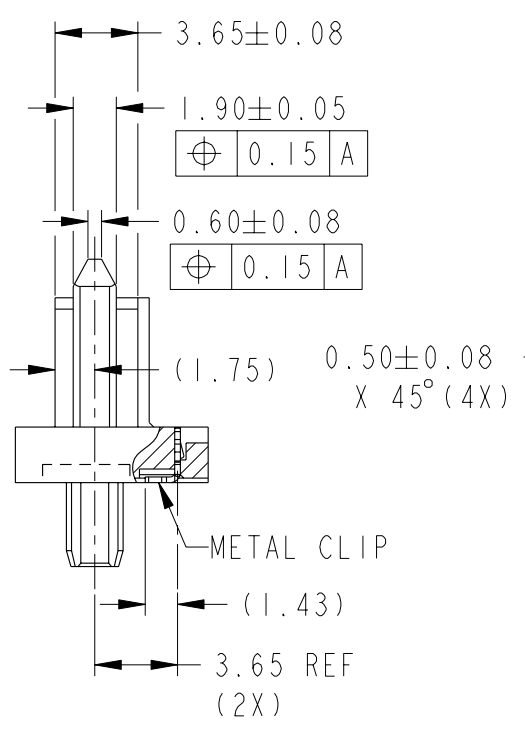
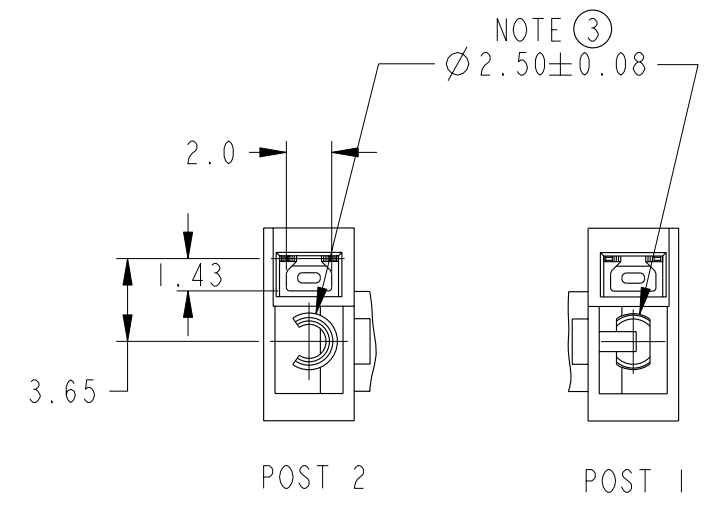
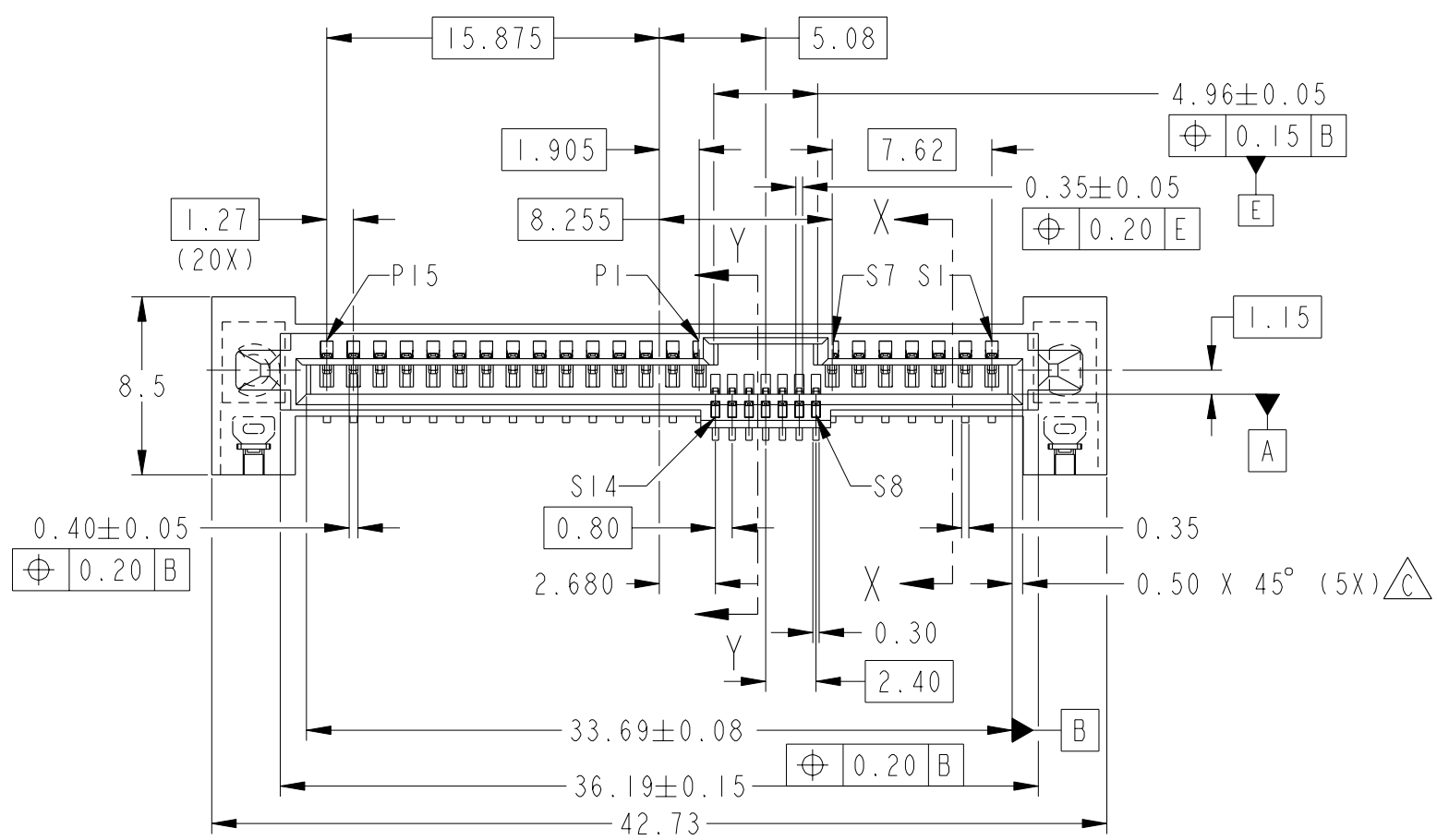
Tel: +86-755-8981 8866 Fax: +86-755-8427 6832

Email & Skype: info@chipsmall.com Web: www.chipsmall.com

Address: A1208, Overseas Decoration Building, #122 Zhenhua RD., Futian, Shenzhen, China



PRODUCT NO
SEE TABLE



SECTION Z-Z

SECTION X-X

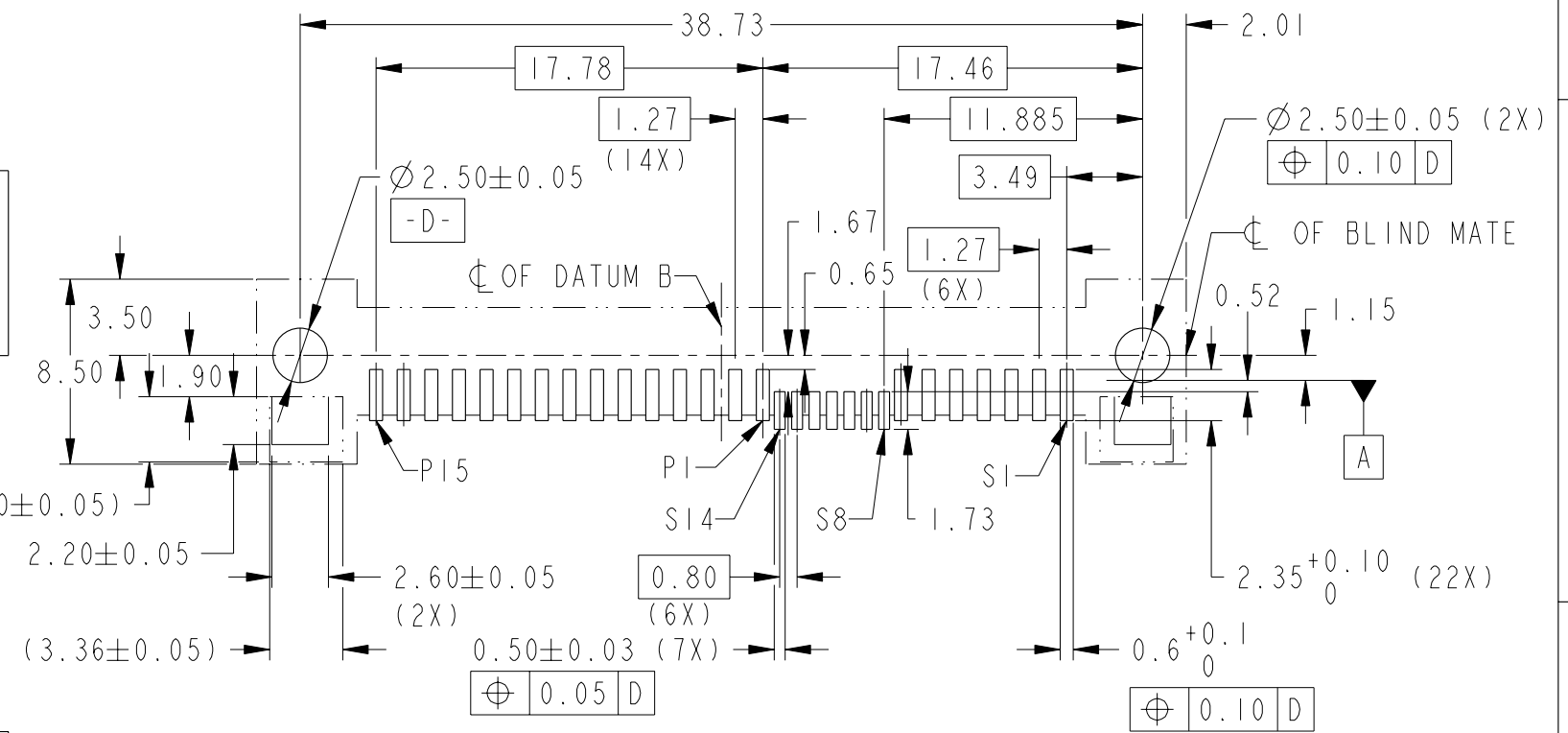
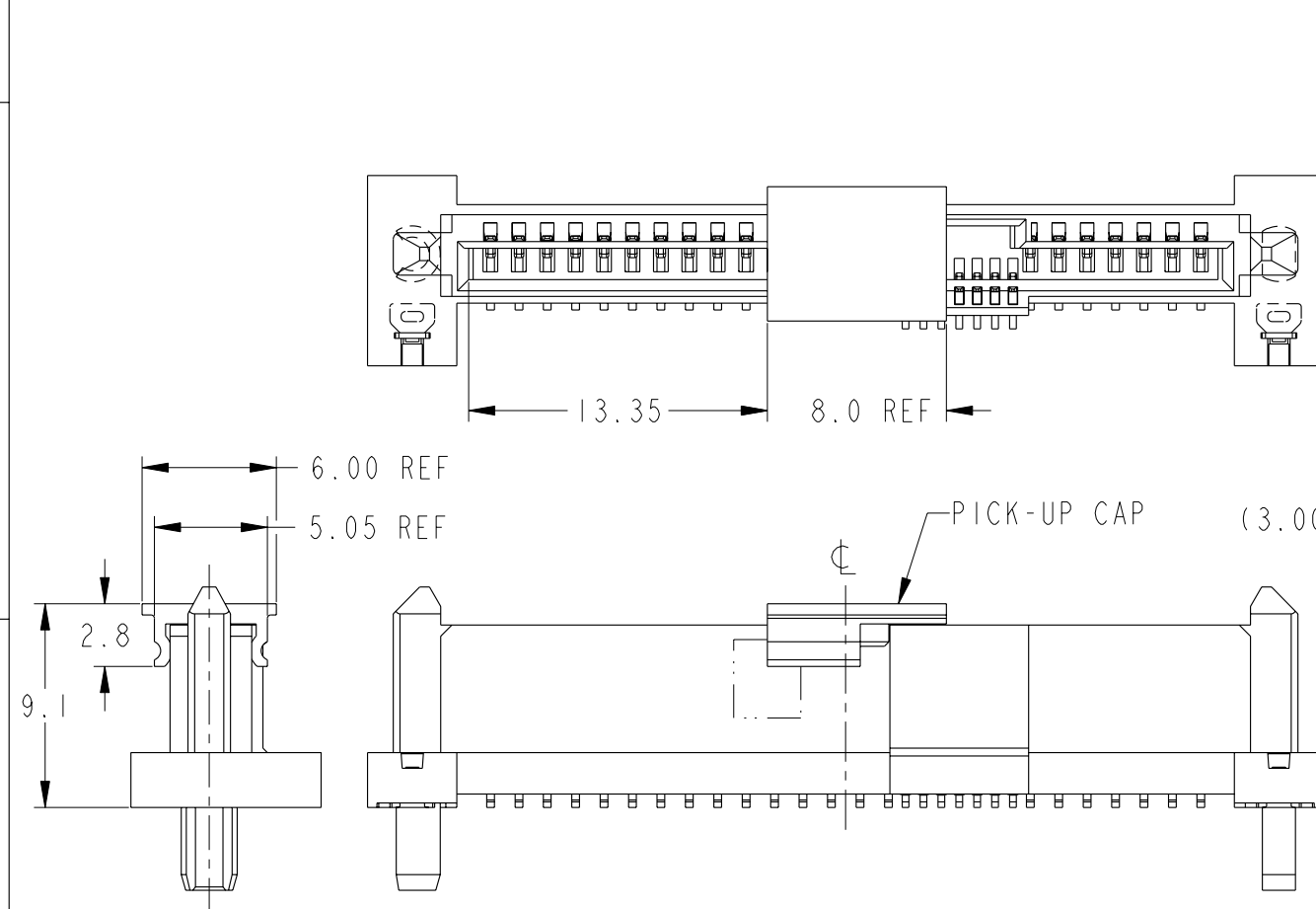
SECTION Y-Y

Copyright FCI.

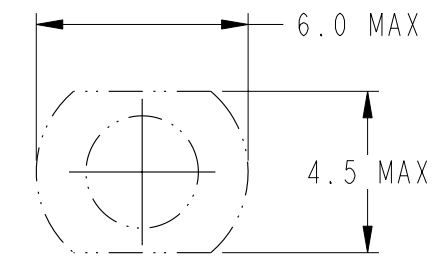
spec ref	-	dr	GL LOO	2007-02-12	projection	MM	size	A3	scale	3:1
tolerance std	ISO 406 ISO 1101	eng	GL LOO	2007-02-12			ecn no	S10-0228	rel level	-
	TOLERANCES UNLESS OTHERWISE SPECIFIED	chr	GL LOO	2010-10-28						
surface	ISO 1302	appr	JOEY NG	2010-10-28	product family	SAS	rel level	-		
	linear	0.X	±-			SAS RECEPTACLE WIDE BASE SMT	dwg no 10076579	rev C		
		0.XX	±0.20							
	angular	0°	±2°							

www.fci.com	cat. no.	-	Product - Customer Drw	sheet 1 of 3
-------------	----------	---	------------------------	--------------

PRODUCT NO	DIM L	RECOMMENDED P.C. BOARD THICKNESS	PICK-UP CAP	PACKAGING	REMARK
10076579-001LF	3.7	4.57mm (0.018")	NO	TRAY	--
10076579-001CLF	3.7		YES		
10076579-001C-TRLF	3.7		YES	TAPE & REEL	
10076579-002LF	2.0	2.54mm (0.100")	NO	TRAY	--
10076579-002CLF	2.0		YES		
10076579-002C-TRLF	2.0		YES	TAPE & REEL	



RECOMMENDED PCB LAYOUT




RECOMMENDED SUCTION HEAD SIZE

PART WITH PICK-UP CAP, SEE NOTE ⑤

spec ref	-	dr	GL LOO	2007-02-12	projection	MM	size	A3	scale	3:1
tolerance std	ISO 406 ISO 1101	eng	GL LOO	2007-02-12			ecn no	S10-0228	rel level	-
TOLERANCES UNLESS OTHERWISE SPECIFIED		chr	GL LOO	2010-10-28						
surface	ISO 1302	appr	JOEY NG	2010-10-28			rel level	-	dwg no	10076579
linear	0.X ± - 0.XX ±0.20 0.XXX ± -			SAS RECEPTACLE WIDE BASE SMT		rev	C	cat. no. - Product - Customer Drw		
angular	0° ±2°	www.fci.com		-		sheet 2 of 3				

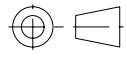
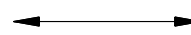


Copyright FCI. FCI

NOTES:

1. MATERIAL:
 - 1) HOUSING : HIGH TEMP TERMOPLASTIC, UL 94V-0
COLOUR : BLACK
 - 2) TERMINAL : COPPER ALLOY
 - 3) HOLD DOWN : COPPER ALLOY
2. FINISH :
 - 1) TERMINAL : 30µ" Au PLATING (CONTACT POINT) OVER 50µ" NICKEL
 - 2) SOLDER TAIL : 50µ" MIN Sn OVER 50µ" NICKEL
 - 3) HOLD DOWN : 50µ" MIN Sn OVER 50µ" NICKEL
- ③ THE DIM. IS MEASURED AT P.C. BOARD SITTING PLANE
- ④ PER SFF REV 1.3
- ⑤ PART WITH PICK-UP CAP, P/N XXXXXXXX-XXXC LF
- ⑥ THE STD PACKAGING IS IN TRAY
7. FOR TAPE & REEL PACKAGING, SUFFIX "-TR" ADDED.
P/N XXXXXXXX-XXXC-TR LF
8. THE HOUSING WILL WITHSTAND EXPOSURE TO 260°C PEAK TEMPERATURE FOR 10 SECONDS IN A CONVECTION, INFRA-RED OR VAPOR PHASE REFLOW OVEN
- ⑨ THIS PRODUCT MEETS EUROPEAN UNION DIRECTIVES AND OTHER COUNTRY REGULATIONS AS DESCRIBED IN GS-22-008
- ⑩ PART NUMBERS ENDING IN "LF" MEANS FOR NOTE 8 LEAD FREE IDENTIFICATION
- ⑪ A  SYMBOL WILL BE NEXT TO ANY DIMENSION, VIEW, OR NOTE WHICH HAS BEEN MODIFIED WITH THE CURRENT DRAWING REVISION.



Copyright FCI.

spec ref -		dr	GL LOO	2007-02-12	projection 	MM 	size	A3	scale	3:1
tolerance std ISO 406 ISO 1101		eng	GL LOO	2007-02-12			ecn no	S10-0228		
TOLERANCES UNLESS OTHERWISE SPECIFIED		chr	GL LOO	2010-10-28			rel level	-		
surface 	linear	0.X	± -		SAS RECEPTACLE	dwg no	10076579		rev	C
		0.XX	±0.20							
		0.XXX	± -							
ISO 1302	angular	0°	±2°	www.fci.com	cat. no.	-	Product - Customer Drw		sheet 3 of 3	