

版数 REV.	年月日 DATE	DCN NO.	変更内容 DESCRIPTION	製図 DR.	担当 CHK.	査閲 APPD.	承認 APPD.
2	10.Jul.2008	066061	ADDED TOLERANCE		K.KUME		A.NATORI
3	17.Nov.2008	066983	CHANGED FORM		K.KUME		A.NATORI

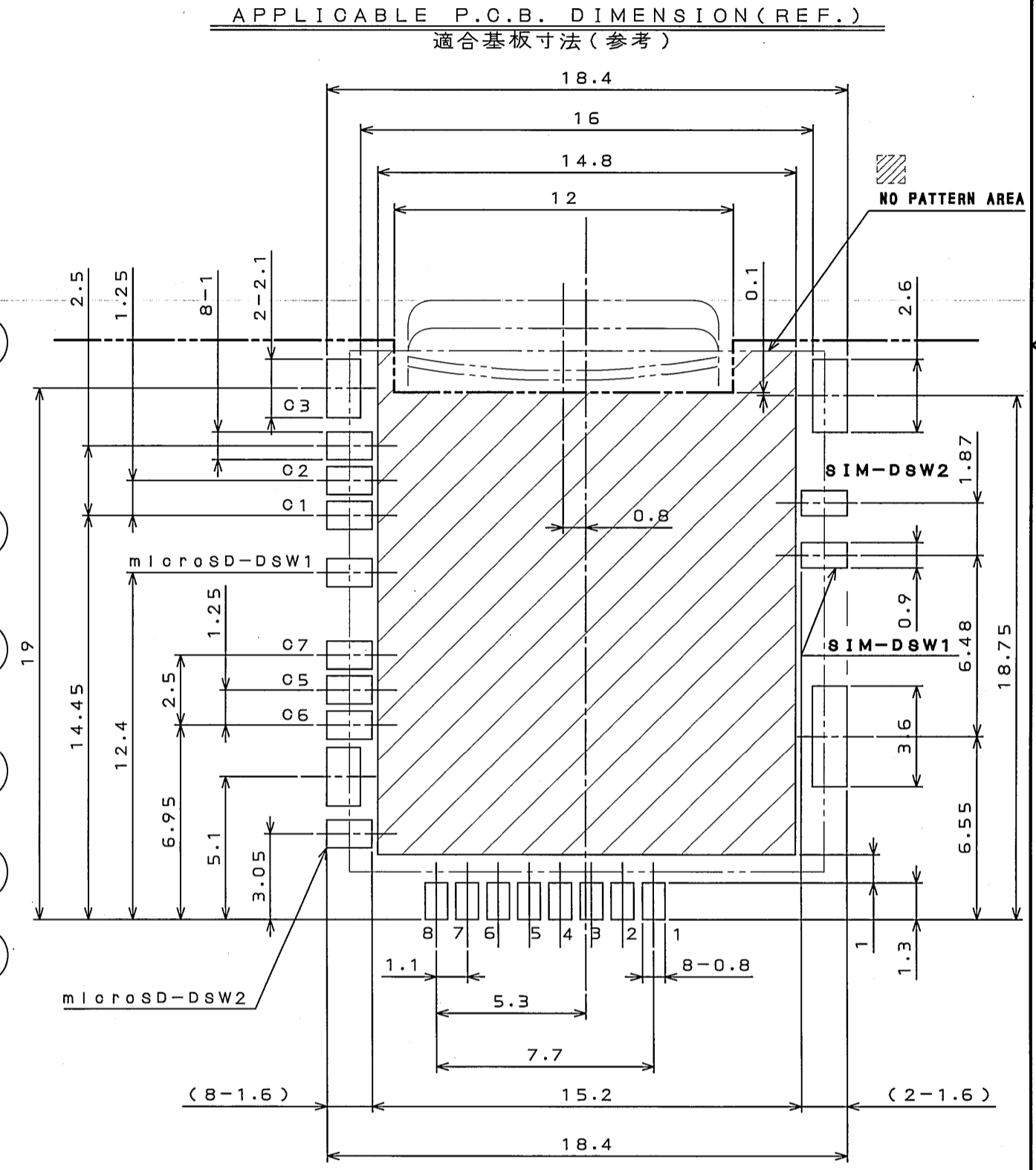
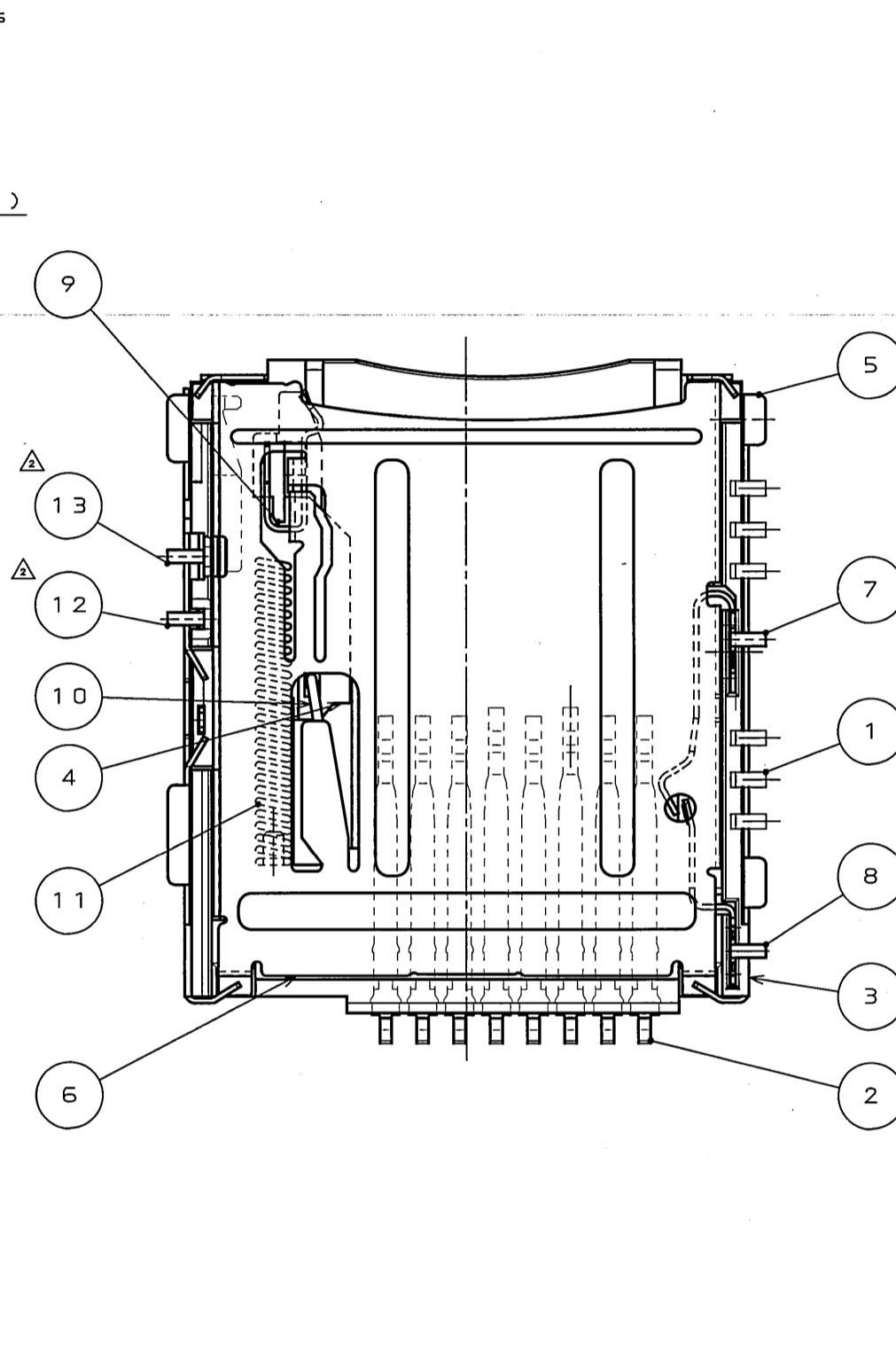
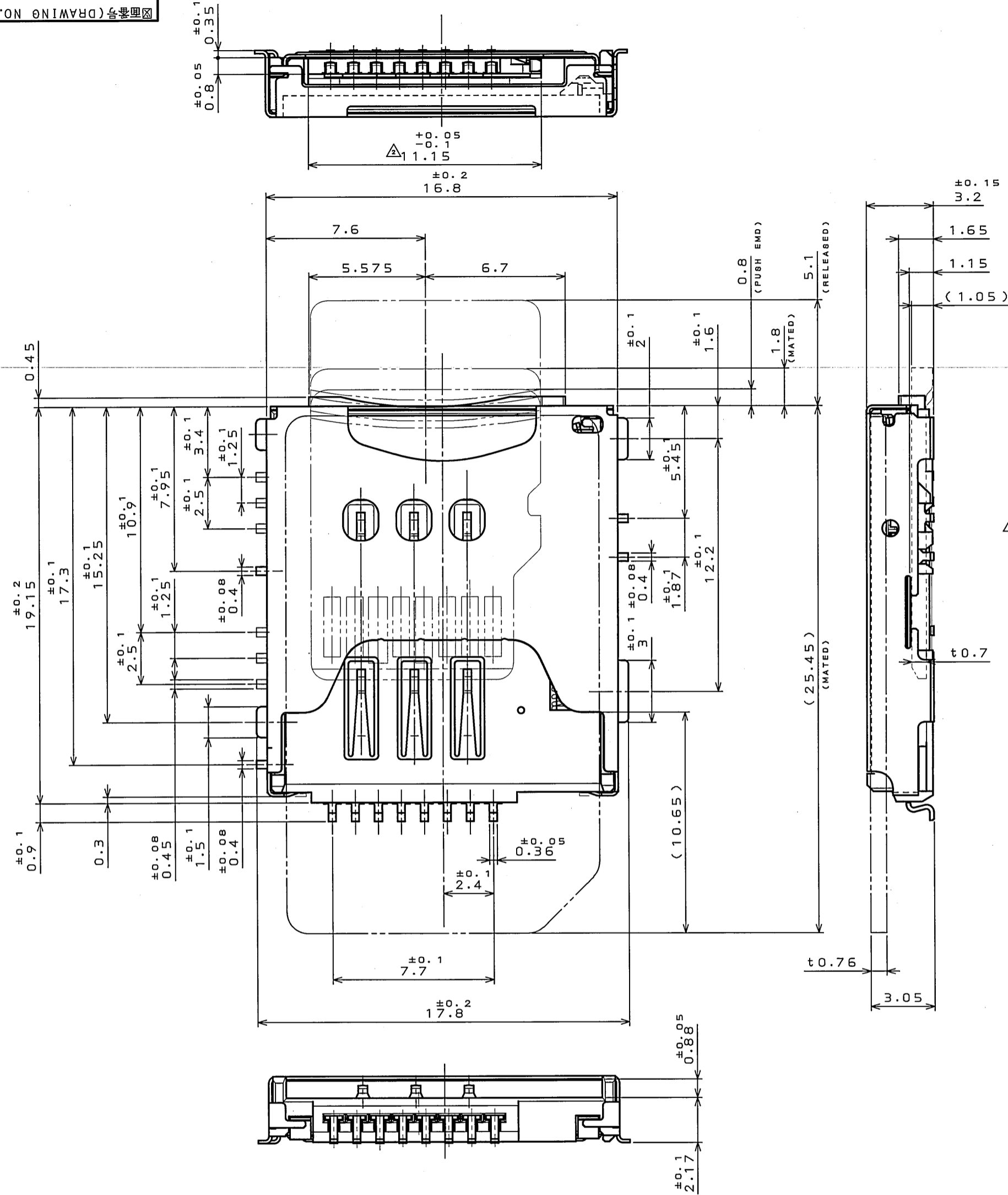


TABLE1.CIRCUIT(Detection Switch)

	WITHOUT CARD	CARD MATED
microSD	7 ○ 8 VEND	7 ○ 8 VEND
SIM	12 ○ 13 VEND	12 ○ 13 VEND

13	DETECTION SWITCH 2	1	COPPER ALLOY	CONTACTING AREA:GOLD OVER NICKEL TERMINAL AREA:GOLD FLASH OVER NICKEL
12	DETECTION SWITCH 1	1	COPPER ALLOY	CONTACTING AREA:GOLD OVER NICKEL TERMINAL AREA:GOLD FLASH OVER NICKEL
11	SPRING	1	STAINLESS WIRE	
10	CAM FOLLOWER	1	STAINLESS	
9	LOCK	1	STAINLESS	
8	DETECTION SWITCH 2	1	COPPER ALLOY	CONTACTING AREA:GOLD OVER NICKEL TERMINAL AREA:GOLD FLASH OVER NICKEL
7	DETECTION SWITCH 1	1	COPPER ALLOY	CONTACTING AREA:GOLD OVER NICKEL TERMINAL AREA:GOLD FLASH OVER NICKEL
6	COVER FRAME	1	STAINLESS	TERMINAL AREA:GOLD FLASH OVER NICKEL
5	COVER FRAME	1	STAINLESS	TERMINAL AREA:GOLD FLASH OVER NICKEL
4	EJECT LEVER	1	GLASS FILLED NY	
3	HOUSING	1	GLASS FILLED LCP	UL94 V-0
2	CONTACT(microSD)	8	COPPER ALLOY	CONTACTING AREA:GOLD OVER NICKEL TERMINAL AREA:GOLD FLASH OVER NICKEL
1	CONTACT(SIM)	6	COPPER ALLOY	CONTACTING AREA:GOLD OVER NICKEL TERMINAL AREA:GOLD FLASH OVER NICKEL

符号 NO.	名称 DESCRIPTION	個数 QTY.	材料 MATERIAL	仕上 FINISH	備考 REMARKS
仕様書(SPECIFICATION) JACS-10430		第1版(ORIGINAL DATE) 18.Jun.2008		尺度(SCALE) 5:1	シリーズ(SERIES) ST7
一般公差(GENERAL TOLERANCE)		製図 DR.		名称(TITLE)	
寸法(DIMENSION)		担当 CHK. K.KUME		ST7S014V4B	
角度(ANGLES)		査閲 APPD.		製圖 DR. 日本航空電子工業株式会社	
. ±0.8 X° ±		承認 APPD. A.NATORI		JAPAN AVIATION ELECTRONICS INDUSTRY, LTD.	
.X ±0.4 X'X' ±		承認 APPD.		図面番号(DRAWING NO.) SJ108850	
.XX ±0.1				版数(REV.) 3	
.XXX ±					

