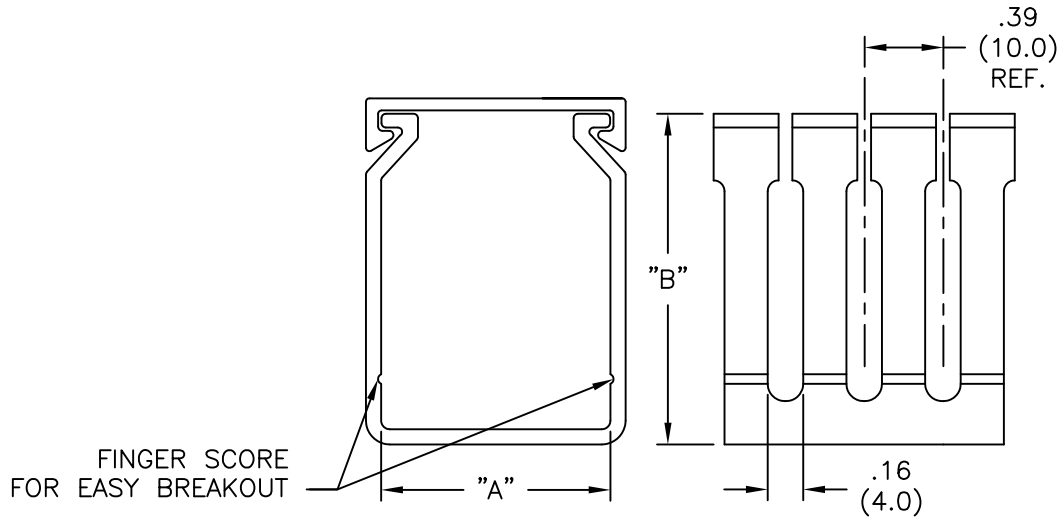


| PART NO. | "A" | "B" | MOUNTING STYLE |
|-------------|-------------|-------------|----------------|
| SRWDN1-1530 | 1.50 (38.1) | 3.00 (76.2) | 1 |
| SRWDN1-2030 | 2.00 (50.8) | 3.00 (76.2) | |



NOTES:

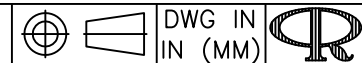
- 1) MATERIAL: PVC (RMS-195).
- 2) COLOR: GRAY.
- 3) LENGTH: 6 1/2 FEET.
- 4) LID FURNISHED WITH BASE.
- 5) U.L. RECOGNIZED, NO. E161178
- 6) C.S.A. RECOGNIZED, NO. LR40012-7.
- 7) AVAILABLE IN WHITE (W), BLACK (BK) AND BLUE (BL) BY SPECIAL ORDER. TO ORDER, ADD COLOR SUFFIX TO PART NUMBER.

EX. OF NOTE 7: SRWDN-XXXX-BL

SEE MOUNTING STYLE PRINT FOR OTHER DIM'S

| | | |
|-----|---|-------------|
| I | SEE CO 200320 FOR CHANGES | SK 02.05.09 |
| H | SEE CO 200041 FOR CHANGES | SK 09.28.07 |
| G | SEE ECN #927 FOR CHANGES | SK 01.31.05 |
| F | SEE ECN #863 FOR CHANGES | SM 10.04.04 |
| E | ADDED BREAKOUT NOTE | SM 01.30.02 |
| D | CHANGED FILE NO. | SM 10.29.01 |
| C | REARRANGED NOTES, ADDED COLOR NOTE | JK 7/28/99 |
| B | "A" DIMENSION WAS REFERENCED TO OUTSIDE | MO 9/11/98 |
| A | MOUNTING HOLE SPACING CHANGED | JB 02.29.96 |
| REV | DESCRIPTION | ENGR DATE |

TITLE: SLOTTED RICHCO WIRING DUCT, NARROW



DWG IN
IN (MM)



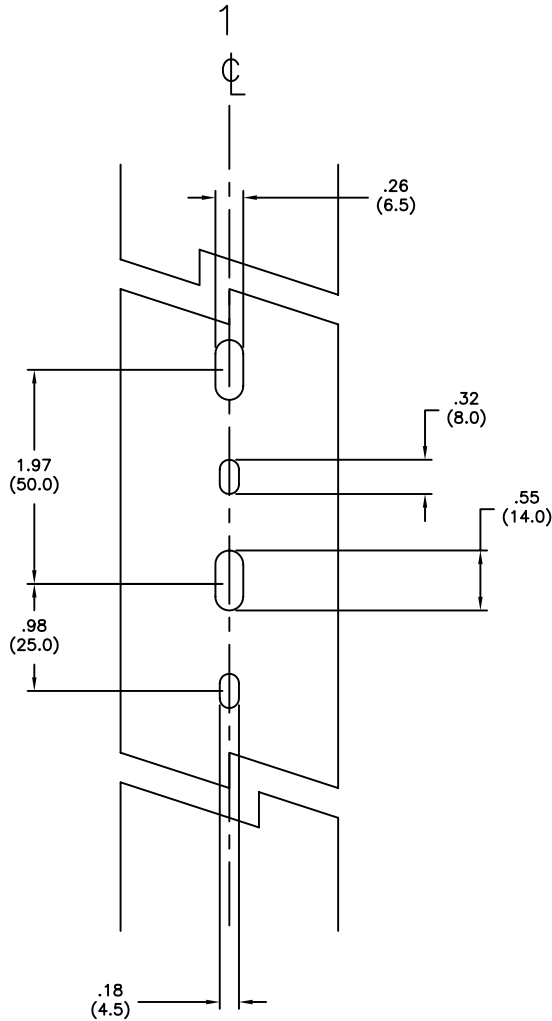
TOLERANCES
UNLESS NOTED
.XX=±.020
.XXX=±.015
FRAC=±1/32
ANG=±1°

FILE # SRWD(N)
MAT'L: SEE NOTES
RE: RICHCO, INC.

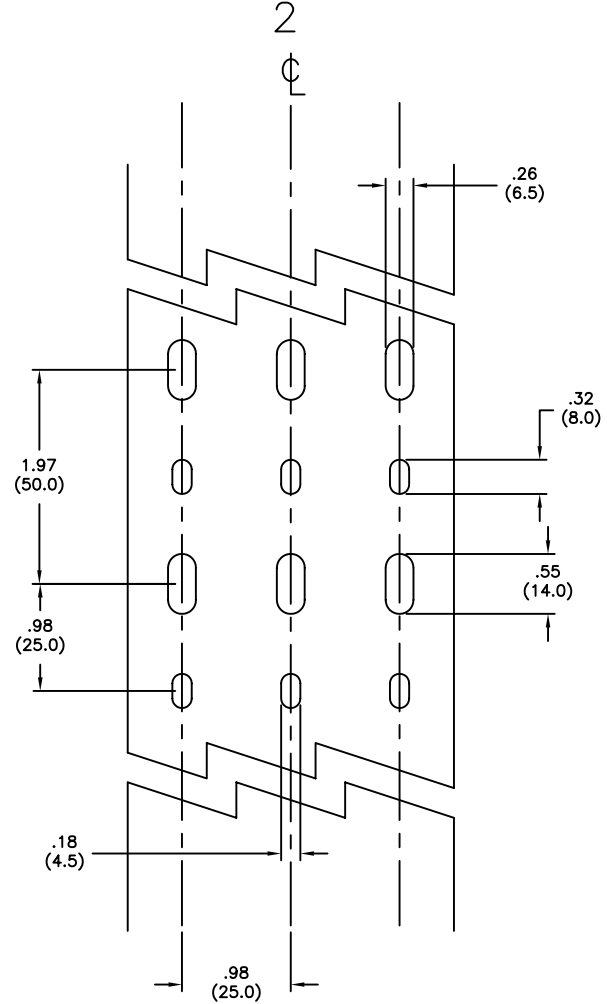
DWN: J.B.
APP:
DT: 12-14-96
DT:
RICHCO INC.
PO BOX 804238, CHICAGO, 60680
(773) 539-4060

FINAL
PART #
SEE TABLE
PRINT TYPE
CA

MOUNTING STYLE



MOUNTING STYLE



| | | | | | | | |
|---|-------------------------------|-------------|-------------------------------|-----------|----------------|-------|----|
| TITLE: MOUNTING STYLE DETAIL | | | | | DWG IN IN (MM) | | |
| TOLERANCES UNLESS NOTED .XX=±.020 .XXX=±.015 FRAC=±1/32 ANG=±1' | | | FILE # SRWD | DWN: J.B. | APP: | FINAL | |
| MAT'L: SEE NOTES | | | RE: RICHCO, INC. | | DT: 12-14-96 | DT: | |
| REVISIONS | | | RICHCO INC. | | PART # | | |
| DESCRIPTION | | | PO BOX 804238, CHICAGO, 60680 | | SRWD & SRWDN | | |
| ENGR DATE | | | (773) 539-4060 | | PRINT TYPE | | |
| B | CHANGED FILE NO. | SM 10.29.01 | | | | | CA |
| A | MOUNTING HOLE SPACING CHANGED | JB 02.29.96 | | | | | |
| REV | DESCRIPTION | ENGR DATE | | | | | |

| | | |
|-----|-------------------------------|-------------|
| B | CHANGED FILE NO. | SM 10.29.01 |
| A | MOUNTING HOLE SPACING CHANGED | JB 02.29.96 |
| REV | DESCRIPTION | ENGR DATE |