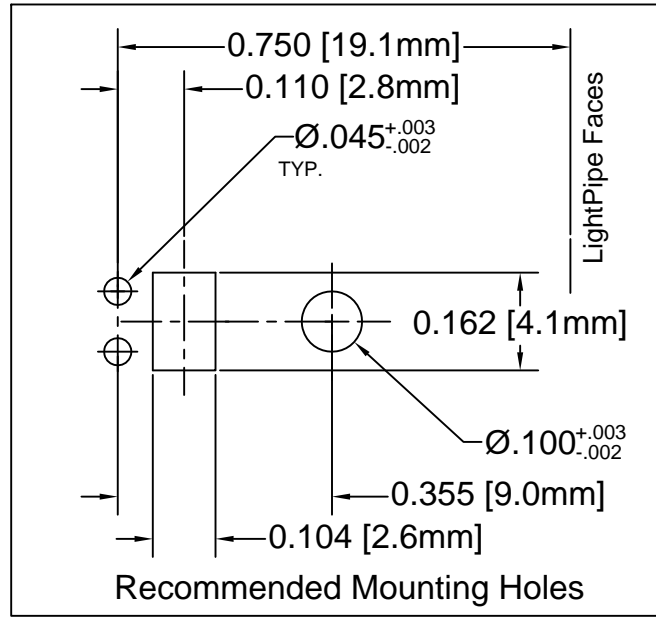
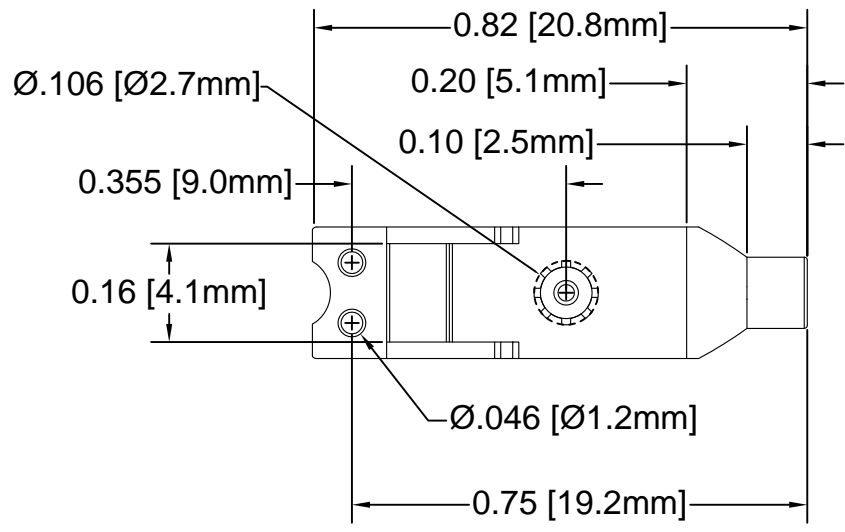
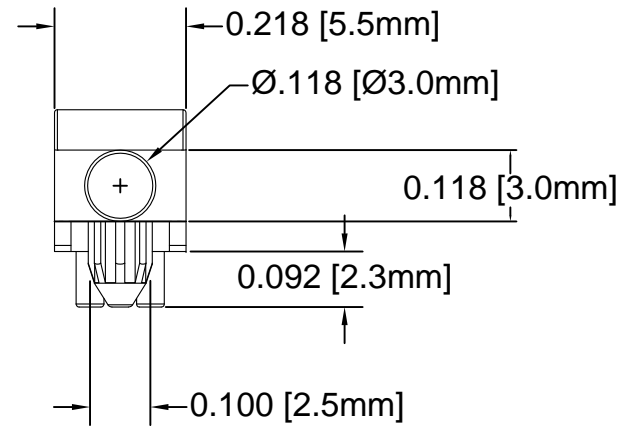
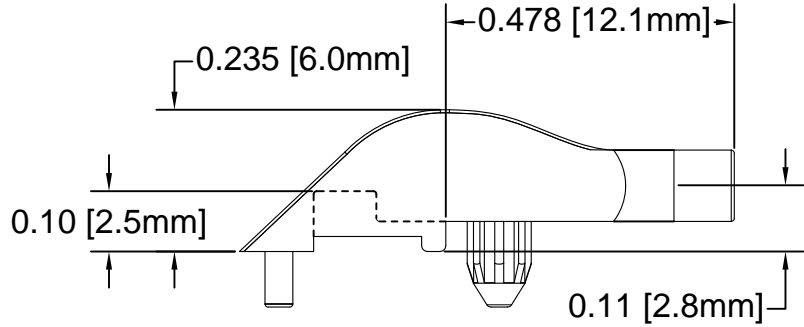


| REV. | DESCRIPTION                                   | DATE     | APPROVED |
|------|---|----------|----------|
| B    | Engineering Update w/o Changes                | 03/09/04 | M. C.    |
| C    | Material Code Correction                      | 02/08/07 | M. C.    |
| D    | Updated Material Note and Mounting Holes Dim. | 02/03/14 | J. C.    |
| E    | Engineering Update w/o Changes                | 02/05/16 | J. C.    |
| F    | Updated Mounting Holes Dimension              | 03/24/16 | J. C.    |



- 2. MATERIAL: POLYCARBONATE, 94V-0, CLEAR.
- 1. GENERAL SPECIFICATIONS: BIVAR MOLDED COMPONENT SPECIFICATION BV00-E101.

|  |                          |  |                       |
|--|--------------------------|--|-----------------------|
| STANDARD TOLERANCE<br>(UNLESS OTHERWISE SPECIFIED) |                          | <br>4 THOMAS, IRVINE, CA. 92618<br>TEL: (949) 951-8808 FAX: (949) 951-3974 |                       |
| DECIMALS   | ANGULAR                  |  |                       |
| .X ± .1  | X° ± 1°                  | <br><b>TITLE:</b><br>LIGHT PIPE, 90° SURFACE MOUNT                         |                       |
| .XX ± .01  |                          |  |                       |
| .XXX ± .005  |                          |  |                       |
| DESIGNED:<br><b>Shane Irving</b>                   | DATE:<br><b>11/23/98</b> | <b>PART NO:</b><br>SLP-1-3   | REVISION:<br><b>F</b> |
| CHECKED:<br><b>D. Green</b>                        | DATE:<br><b>12/04/02</b> | <b>CAGE CODE :</b> 32559   | <b>SHEET #</b> 1 OF 1 |
| CAD GENERATED DOCUMENT. DO NOT MEASURE DRAWING.    |                          |  |                       |