

PRODUCT SUMMARY

SKY87201-11: Low Noise, Fast Transient 600 mA Step-Down Converter with Output Auto Discharge

Applications

- Cellular phones
- Digital cameras
- Handheld instruments
- Microprocessor, DSP Core, I/O power
- PDAs and handheld computers
- USB devices

Features

- Output auto discharge when disabled
- V_{IN} range: 2.7 V to 5.5 V
- Low-noise, light-load mode
- Low ripple power management mode
- Output voltage adjustable from 0.6 V to V_{IN}
- No load quiescent current: 37 μ A
- Up to 98% efficiency
- Maximum output current: 600 mA
- Switching Frequency: 2 MHz
- Soft start: 150 μ s
- Fast load transient
- Over-temperature protection
- Current limit protection
- 100% duty cycle low-dropout operation
- Shutdown current: <1 μ A
- Available in an STDFN (8-pin, 2 x 2 mm) package (MSL1, 260 °C per JEDEC J-STD-020)

Description

The SKY87201-11 is a 2 MHz step-down converter with an input voltage range of 2.7 V to 5.5 V and output voltage as low as 0.6 V. It is optimized to react quickly to a load variation. The SKY87201-11 incorporates a unique low-noise architecture that reduces ripple and spectral noise.

The SKY87201-11 is programmable with external feedback resistors. It can deliver 600 mA of load current while maintaining a low 37 μ A no-load quiescent current. The 2 MHz switching frequency minimizes the size of external components while keeping switching losses low.

The SKY87201-11 is designed to maintain high efficiency throughout the operating range, which is critical for portable applications.

The device has an output auto discharge feature. This enables the device to quickly discharge the output when the device is disabled ($V_{EN} = V_{IN}$ to 0 V).

The SKY87201-11 is provided in a small, 8-pin, 2 x 2 mm Thin Dual Flat No-Lead (STDFN) package. A functional block diagram is shown in Figure 1.



Skyworks Green™ products are compliant with all applicable legislation and are halogen-free. For additional information, refer to *Skyworks Definition of Green™*, document number SQ04-0074.

PRODUCT SUMMARY • SKY87201-11 LOW-NOISE STEP-DOWN CONVERTER

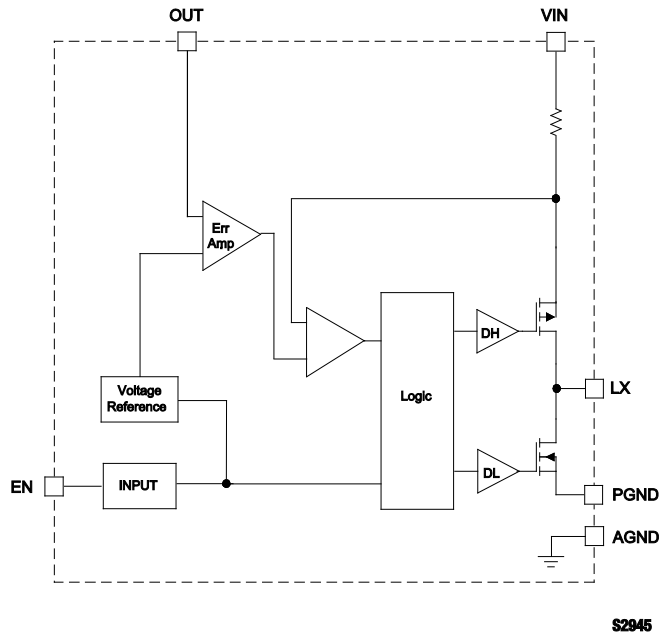


Figure 1. SKY87201-11 Block Diagram

Ordering Information

Model Name	Manufacturing Part Number	Evaluation Board Part Number
SKY87201-11 Low-Noise, Step-Down Converter with Output Auto Discharge	SKY87201-11	SKY87201-11-EVB

Copyright © 2012 Skyworks Solutions, Inc. All Rights Reserved.

Information in this document is provided in connection with Skyworks Solutions, Inc. (“Skyworks”) products or services. These materials, including the information contained herein, are provided by Skyworks as a service to its customers and may be used for informational purposes only by the customer. Skyworks assumes no responsibility for errors or omissions in these materials or the information contained herein. Skyworks may change its documentation, products, services, specifications or product descriptions at any time, without notice. Skyworks makes no commitment to update the materials or information and shall have no responsibility whatsoever for conflicts, incompatibilities, or other difficulties arising from any future changes.

No license, whether express, implied, by estoppel or otherwise, is granted to any intellectual property rights by this document. Skyworks assumes no liability for any materials, products or information provided hereunder, including the sale, distribution, reproduction or use of Skyworks products, information or materials, except as may be provided in Skyworks Terms and Conditions of Sale.

THE MATERIALS, PRODUCTS AND INFORMATION ARE PROVIDED “AS IS” WITHOUT WARRANTY OF ANY KIND, WHETHER EXPRESS, IMPLIED, STATUTORY, OR OTHERWISE, INCLUDING FITNESS FOR A PARTICULAR PURPOSE OR USE, MERCHANTABILITY, PERFORMANCE, QUALITY OR NON-INFRINGEMENT OF ANY INTELLECTUAL PROPERTY RIGHT; ALL SUCH WARRANTIES ARE HEREBY EXPRESSLY DISCLAIMED. SKYWORKS DOES NOT WARRANT THE ACCURACY OR COMPLETENESS OF THE INFORMATION, TEXT, GRAPHICS OR OTHER ITEMS CONTAINED WITHIN THESE MATERIALS. SKYWORKS SHALL NOT BE LIABLE FOR ANY DAMAGES, INCLUDING BUT NOT LIMITED TO ANY SPECIAL, INDIRECT, INCIDENTAL, STATUTORY, OR CONSEQUENTIAL DAMAGES, INCLUDING WITHOUT LIMITATION, LOST REVENUES OR LOST PROFITS THAT MAY RESULT FROM THE USE OF THE MATERIALS OR INFORMATION, WHETHER OR NOT THE RECIPIENT OF MATERIALS HAS BEEN ADVISED OF THE POSSIBILITY OF SUCH DAMAGE.

Skyworks products are not intended for use in medical, lifesaving or life-sustaining applications, or other equipment in which the failure of the Skyworks products could lead to personal injury, death, physical or environmental damage. Skyworks customers using or selling Skyworks products for use in such applications do so at their own risk and agree to fully indemnify Skyworks for any damages resulting from such improper use or sale.

Customers are responsible for their products and applications using Skyworks products, which may deviate from published specifications as a result of design defects, errors, or operation of products outside of published parameters or design specifications. Customers should include design and operating safeguards to minimize these and other risks. Skyworks assumes no liability for applications assistance, customer product design, or damage to any equipment resulting from the use of Skyworks products outside of stated published specifications or parameters.

Skyworks, the Skyworks symbol, and “Breakthrough Simplicity” are trademarks or registered trademarks of Skyworks Solutions, Inc., in the United States and other countries. Third-party brands and names are for identification purposes only, and are the property of their respective owners. Additional information, including relevant terms and conditions, posted at www.skyworksinc.com, are incorporated by reference.