

QT-Brightek PLCC6 Series

PLCC6 White LED

Part No.: QBLP679E-IWK-XX

XX = WW/NW/CW

Table of Contents:

Introduction	3
Electrical / Optical Characteristic (Ta=25 °C)	4
Absolute Maximum Rating	4
Correlated Color Temperature Chart	6
Characteristic Curves.....	7
Solder Profile & Footprint.....	8
Packing	9
Labeling	10
Ordering Information	10
Revision History	11
Disclaimer	11

Introduction

Feature:

- Yellow diffused lens
- Package in tape and reel
- Ultra bright PLCC6 White
- InGaN technology
- 120 degree viewing angle
- ESD Protection

Description:

This PLCC6 LEDs have a height profile of 1.60mm. Combination of high brightness output and robust package, this LED is ideal for architecture lighting, status indication, and general application

Application:

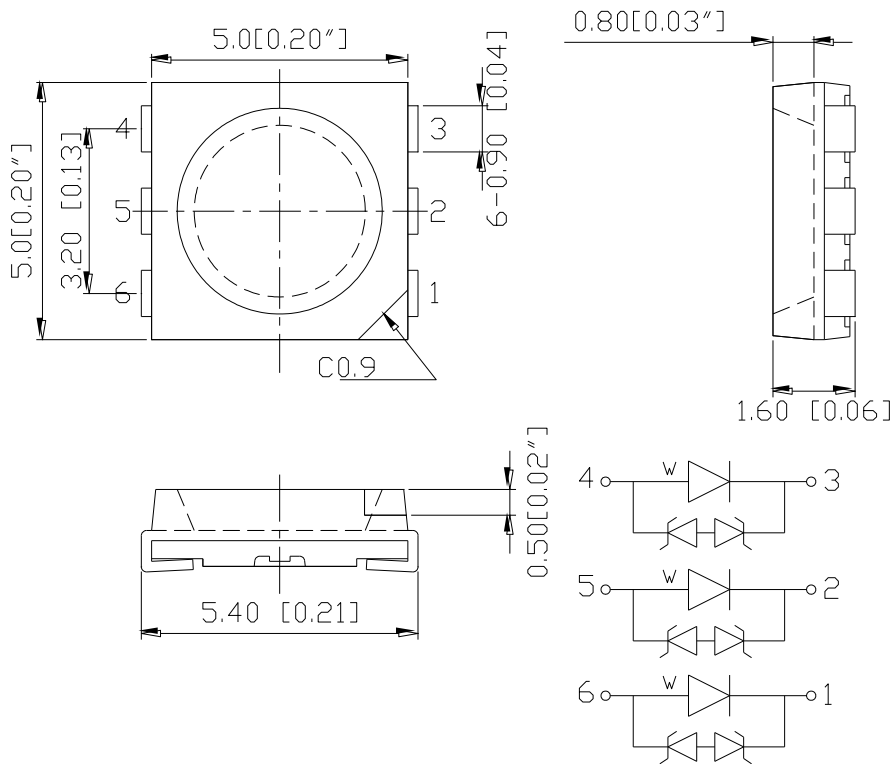
- Status indication
- Back lighting application
- Architecture lighting

Certification & Compliance:

- TS16949
- ISO9001
- RoHS Compliant



Dimension:



Units: mm / tolerance = +/-0.2mm

Electrical / Optical Characteristic (Ta=25 °C)

Product	Color	I _F (mA)*	V _F (V)		CCT (K)			I _V (mcd)	
			Typ.	Max.	Min.	Typ.	Max.	Min.	Typ.
QBLP679E-IWK-WW	Warm White	60	3.1	3.6	2760	3000	3260	3600	6000
QBLP679E-IWK-NW	Natural White	60	3.1	3.6	3640	4240	4746	3600	6000
QBLP679E-IWK-CW	Cool White	60	3.1	3.6	5300	6020	7050	3600	6000

*Total forward current for three dies

Absolute Maximum Rating

Material	P _d (mW)	I _F (mA)	I _{FP} (mA)**	V _R (V)	T _{OP} (°C)	T _{ST} (°C)	T _{SOL} (°C)***	ESD (V)
InGaN	324	90	125	5	-40 to +80	-40 to +85	260	HBM 12000

**Duty 1/8 @ 1KHz

***IR Reflow for no more than 10 sec @ 260 °C

Forward Voltage V_F @ I_F=60mA

Bin	Min.	Max.	Unit
B	2.8	2.9	V
C	2.9	3.0	
D	3.0	3.1	
E	3.1	3.2	
F	3.2	3.3	
G	3.3	3.4	
H	3.4	3.5	
I	3.5	3.6	

Luminous Intensity I_V @ I_F=60mA

Bin	Min.	Max.	Unit
20	3600	4600	mcd
21	4600	6000	
22	6000	7800	
23	7800	9800	

Note:

Tolerance of measurement of forward voltage: ±0.05V

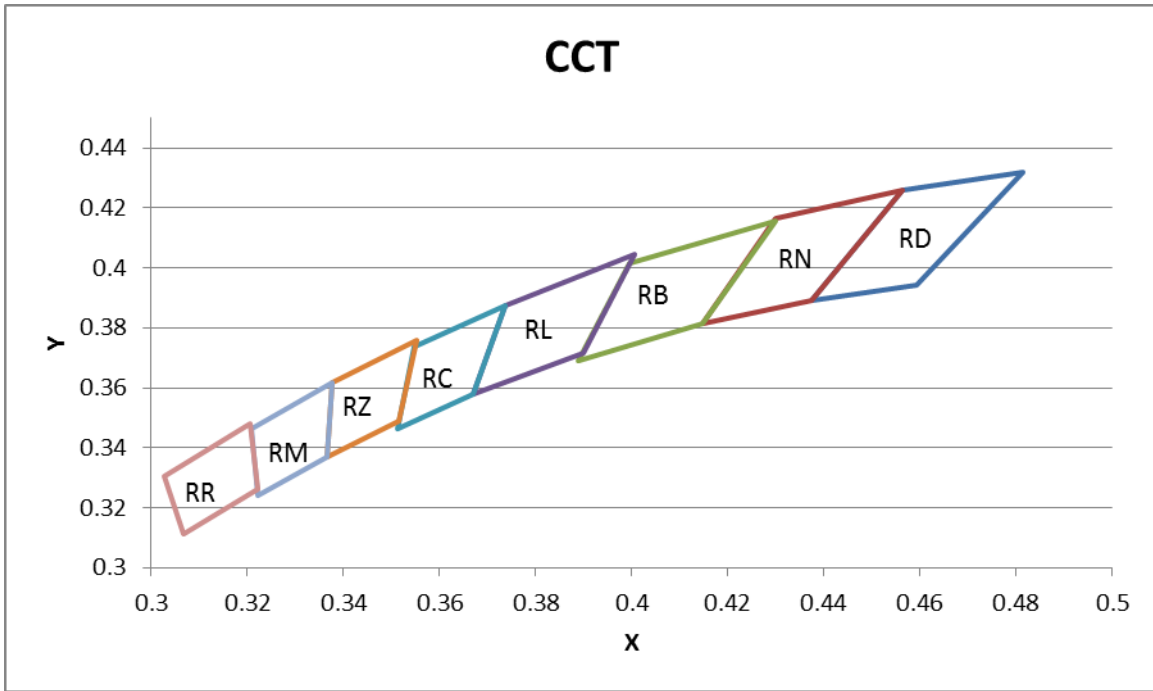
Tolerance of measurement of luminous intensity: ±15%

All parameters are measured by QT-BrigtheK instrument

Correlated Color Temperature (CCT) @ I_F=60mA

Color	Bin	Min.	Max.	Unit
Warm White (WW)	RN	2760	3260	K
Natural White (NW)	RL	3640	4240	
	RC	4240	4746	
Cool White (CW)	RM	5300	6020	
	RR	6020	7050	

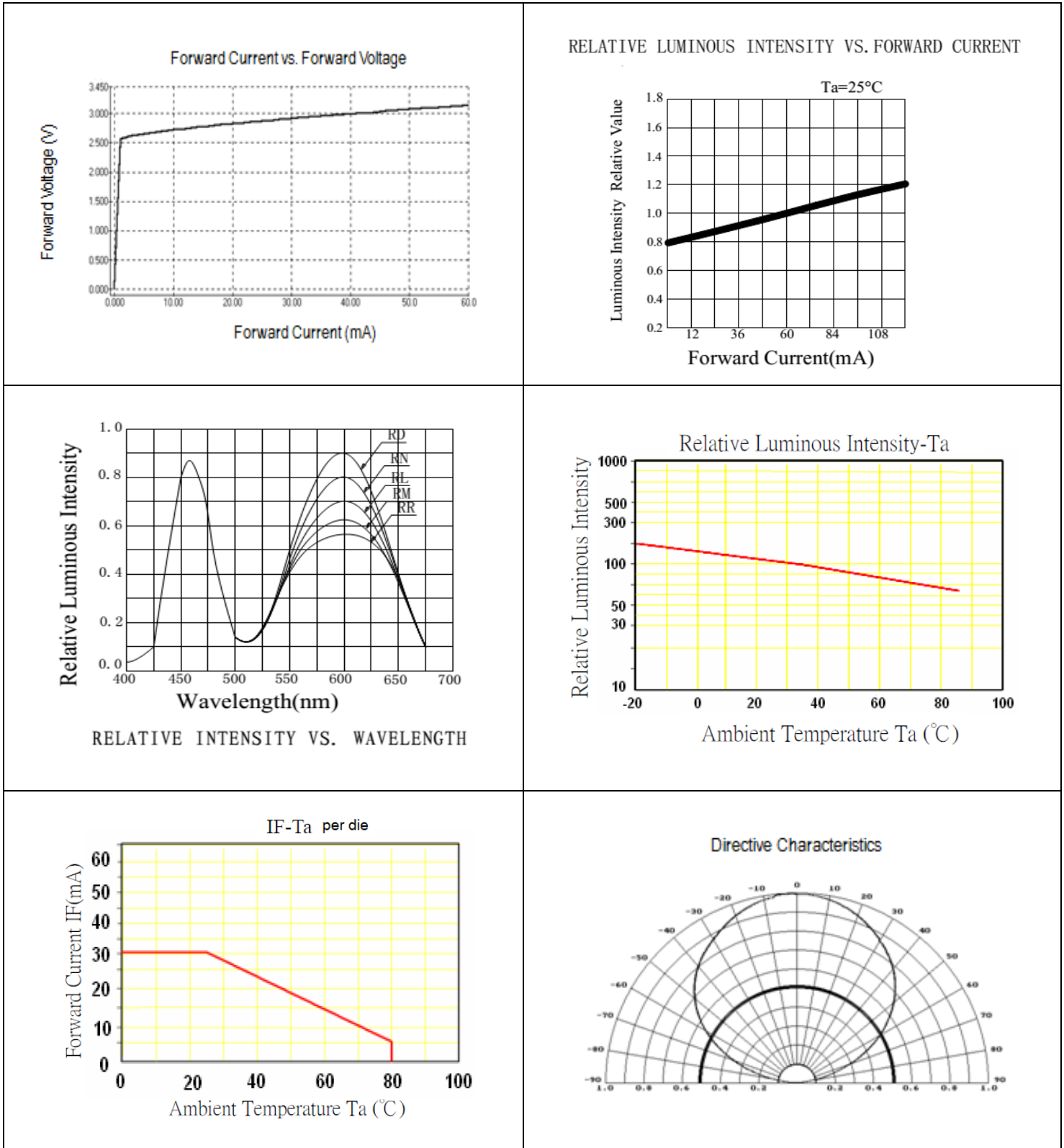
Correlated Color Temperature Chart



Color Ranks @ I _F =60mA							
RD		RN		RB		RL	
0.4813	0.4319	0.4562	0.426	0.4299	0.4156	0.4006	0.4044
0.4562	0.426	0.4299	0.4165	0.3996	0.4015	0.3736	0.3874
0.4373	0.3893	0.4147	0.3814	0.3889	0.369	0.367	0.3578
0.4593	0.3944	0.4373	0.3893	0.4147	0.3814	0.3898	0.3716
0.4813	0.4319	0.4562	0.426	0.4299	0.4156	0.4006	0.4044
RC		RZ		RM		RR	
0.3736	0.3874	0.3551	0.376	0.3376	0.3616	0.3205	0.3481
0.3548	0.3736	0.3376	0.3616	0.3207	0.3462	0.3028	0.3304
0.3512	0.3465	0.3366	0.3369	0.3222	0.3243	0.3068	0.3113
0.367	0.3578	0.3515	0.3487	0.3366	0.3369	0.3221	0.3261
0.3736	0.3874	0.3551	0.376	0.3376	0.3616	0.3205	0.3481

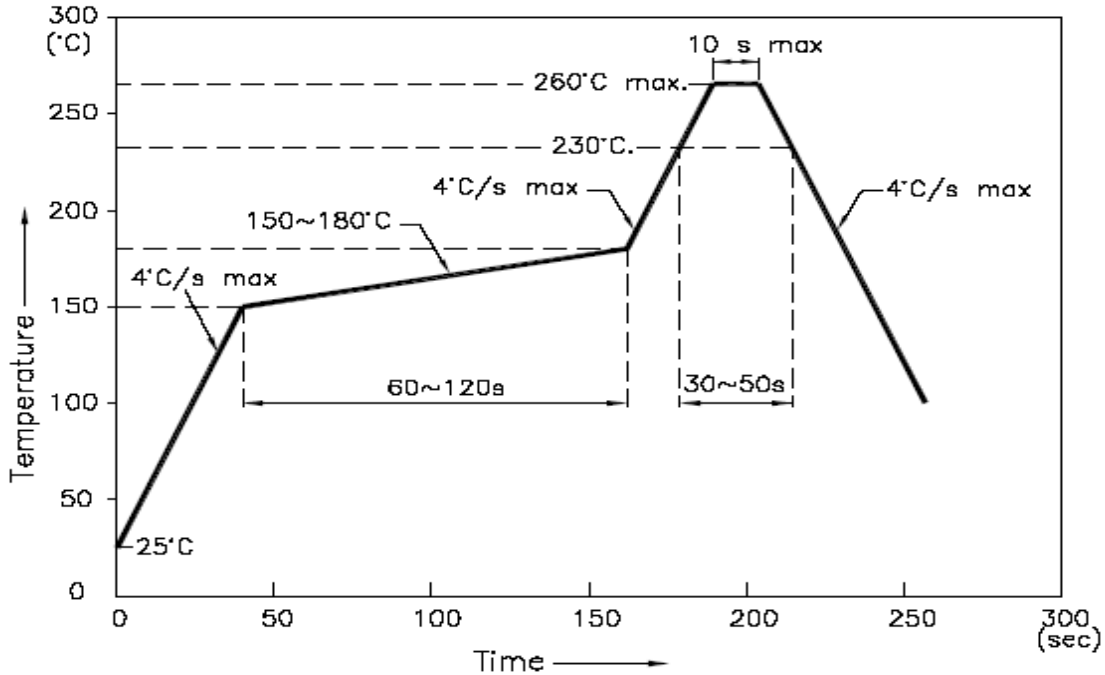
Note:
 Tolerance of measurement of Color Coordinates: ±0.01
 All parameters are measured by QT-BrigtheK instrument

Characteristic Curves

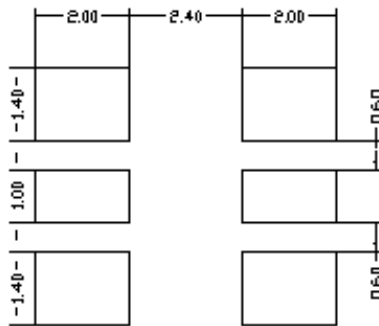


Solder Profile & Footprint

- Recommended tin solder specifications: melting temperature in the range of 178~192 °C
- The recommended reflow soldering profile is as follows (temperatures indicated are as measured on the surface of the LED resin):



Recommended Pad Layout

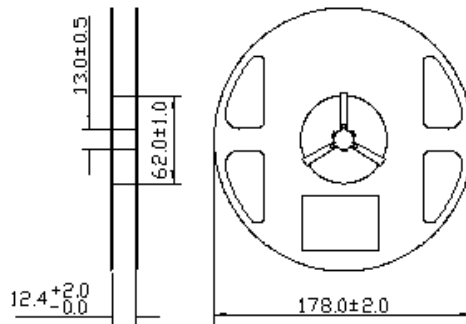


Units: mm

Tolerance: ±0.2mm

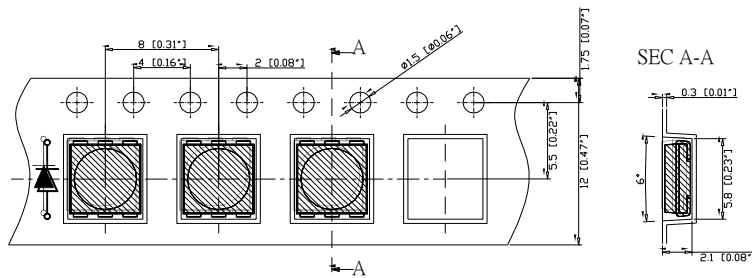
Packing

Reel Dimension:



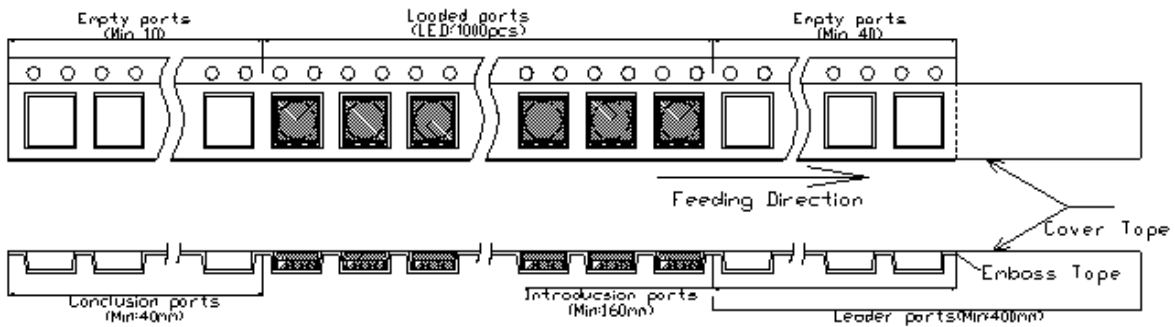
Unit: mm

Tape Dimension:

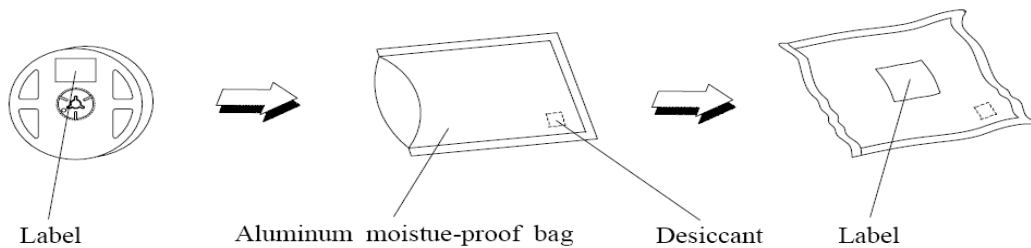


Unit: mm

Arrangement of Tape:



Packaging Specification:



Labeling

Part No: _____

Customer P/N: _____

Item: _____

Q'ty: _____

Vf: _____

Iv: _____

WI: _____

Date: _____

Made in China**Ordering Information**

Part #	Orderable Part #	Spec Range	Quantity per reel
QBLP679E-IWK-WW	QBLP679E-IWK-WW	Iv=6000 mcd typ. / CCT: 2760-3260K @ I _F = 60mA	1,000 units
QBLP679E-IWK-NW	QBLP679E-IWK-NW	Iv=6000 mcd typ. / CCT: 3640-4746K @ I _F =60mA	1,000 units
QBLP679E-IWK-CW	QBLP679E-IWK-CW	Iv=6000 mcd typ. / CCT: 5300-7050K @ I _F =60mA	1,000 units

Revision History

Description:	Revision #	Revision Date
New Release of QBLP679E-IWK	V1.0	2/15/2012
Update format	V1.1	04/09/2012
Update spec and binning	V2.0	09/10/2013
Update drawing and spec	V2.1	11/26/2013
Information update	V2.2	03/20/2014

Disclaimer

QT-BRIGHTTEK reserves the right to make changes without further notice to any products herein to improve reliability, function or design. QT-BRIGHTTEK does not assume any liability arising out of the application or use of any product or circuit described herein; neither does it convey any license under its patent rights, nor the rights of others.

Life Support Policy

QT-BRIGHTTEK's products are not authorized for use as critical components in life support devices or systems without the express written approval of QT-BRIGHTTEK. As used herein:

1. Life support devices or systems are devices or systems which, (a) are intended for surgical implant into the body, or (b) support or sustain life, and (c) whose failure to perform when properly used in accordance with instructions for use provided in the labeling, can be reasonably expected to result in a significant injury of the user.
2. A critical component in any component of a life support device or system whose failure to perform can be reasonably expected to cause the failure of the life support device or system, or to affect its safety or effectiveness.