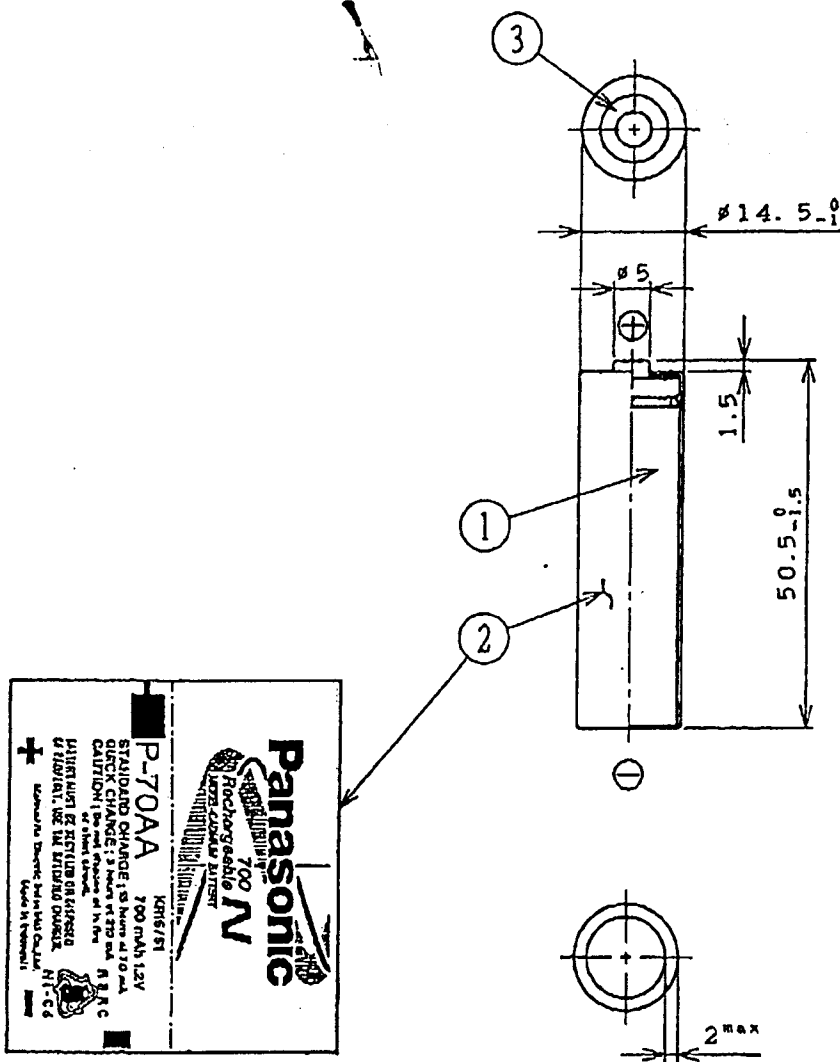


Commercial Tolerance	Sym.	Date	Revision	Drawn	Checked	Approved
	△					



※HEAT STAMP: DATE CODE

EX: 9808  
 Year Month

POSITION: FACTORY DECIDE

NOMINAL VOLTAGE : 1.2V  
 NOMINAL CAPACITY : 700 mAh  
 APPROX WEIGHT : 21g

3	INSULATOR	PAPER (WHITE)	1		
2	OUTER JACKET	P. V. C. TUBE (LAVENDER)	1	HEAT STAMP: DATE CODE	RBRC MARK
1	CELL	P-70AARC/B	1	CHARGED	
Sym.	Item or Code No.	Material & Size	qt.	Process	Remark
NICKEL-CADMIUM BATTERY			Model No.	P-70AARC/D1B	
			Name	DIMENSION SKETCH	
Scale	Designed	Drawn	Checked	Approved	No.
1/1	HARIE	YAN	<i>[Signature]</i>		98082501
	24. AUG. 98	25. AUG. 98			