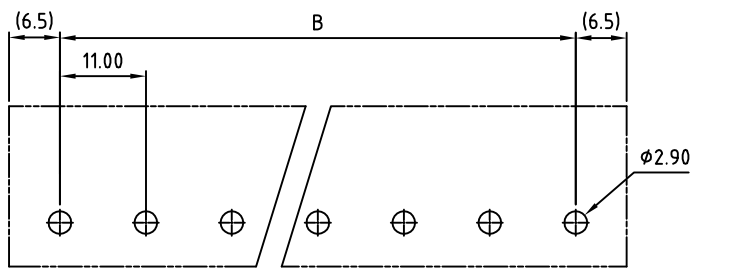
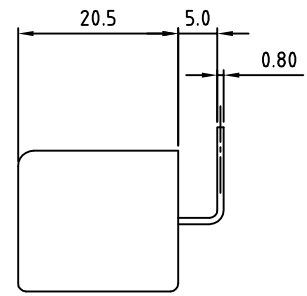
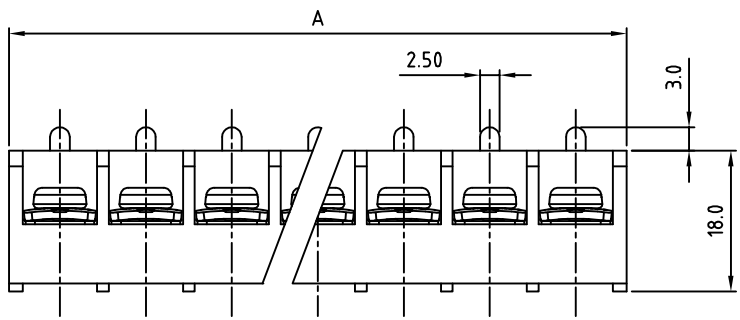
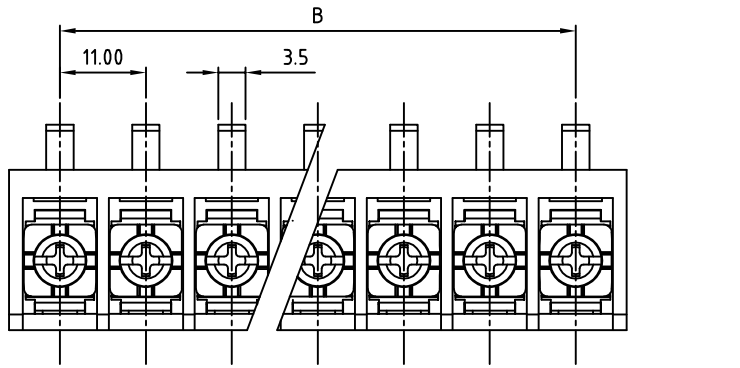


SIGN	DATE	DESCRIPTION	APPROVER
<i>THIS IS CAD DRAWING, DO NOT REVISE MANUALLY!!!</i>			



PCB Layout

POLE	2	3	4	5	6	7	8	9	10	11	12	13	14	15	16	
A	24.00	35.00	46.00	57.00	68.00	79.00	90.00	101.0	112.0	123.0	134.0	145.0	156.0	167.0	178.0	
B	11.00	22.00	33.00	44.00	55.00	66.00	77.00	88.00	99.00	110.0	121.0	132.0	143.0	154.0	165.0	
TOL	±0.30			±0.40				±0.50								
POLE	17	18	19	20												
A	189.0	200.0	211.0	222.0												
B	176.0	187.0	198.0	209.0												
TOL	±0.60															

**SPECIFICATIONS**

VOLTAGE & CURRENT: 300 V, 30 A

WITHSTANDING VOLTAGE: AC 2000 V/Min

INSULATION RESISTANCE: 1000 MΩ OR MORE AT DC 500 V

TEMPERATURE RANGE: -40 °C ~ +105 °C

SCREW TORQUE VALUE: 15.8 Lb-In.

WIRE RANGE: 22 - 12 AWG

1) MOLDED PARTS: THERMOPLASTIC, UL 94 V-0 BLACK

2) TERMINAL: BRASS, 0.8t, Tin PLATED

3) TERMINAL SCREWS: STEEL, Ni PLATED, M4

APPROVAL:

RoHS Compliant

PART NUMBER: OSTYK554XX030

NO. OF POLES

02: 2 POLES

03: 3 POLES

04: 4 POLES

...

20: 20 POLES

THESE DRAWINGS AND SPECIFICATIONS ARE THE PROPERTY OF ON-SHORE TECHNOLOGY, INC. AND SHALL NOT BE REPRODUCED, COPIED OR USED IN ANY MANNER WITHOUT THE PRIOR WRITTEN CONSENT OF ON-SHORE TECHNOLOGY, INC.



TITLE	OSTYK-554 Series				
PART NO.	OSTYK554XX030			DWG NO.	OSTYK554XX030.DWG
APPROVED	CHECKED	DESIGNED	DRAWN	CUST NO.	Tolerance
Shi Jun 2007.07.18	Seamus 2007.07.18	LUCY 2007.7.18	LUCY 2007.7.18		X. ±0.50
				UNIT: mm	X.X ±0.30
				SCALE: NONE	X.XX ±0.10
				SHEET: 01/01	X° ±1°
				REV.: B	