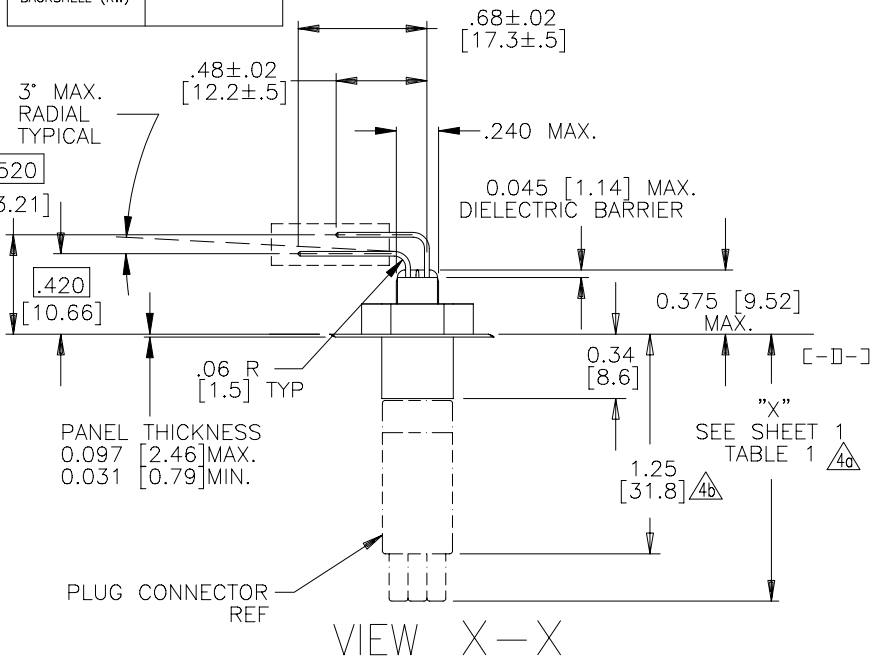


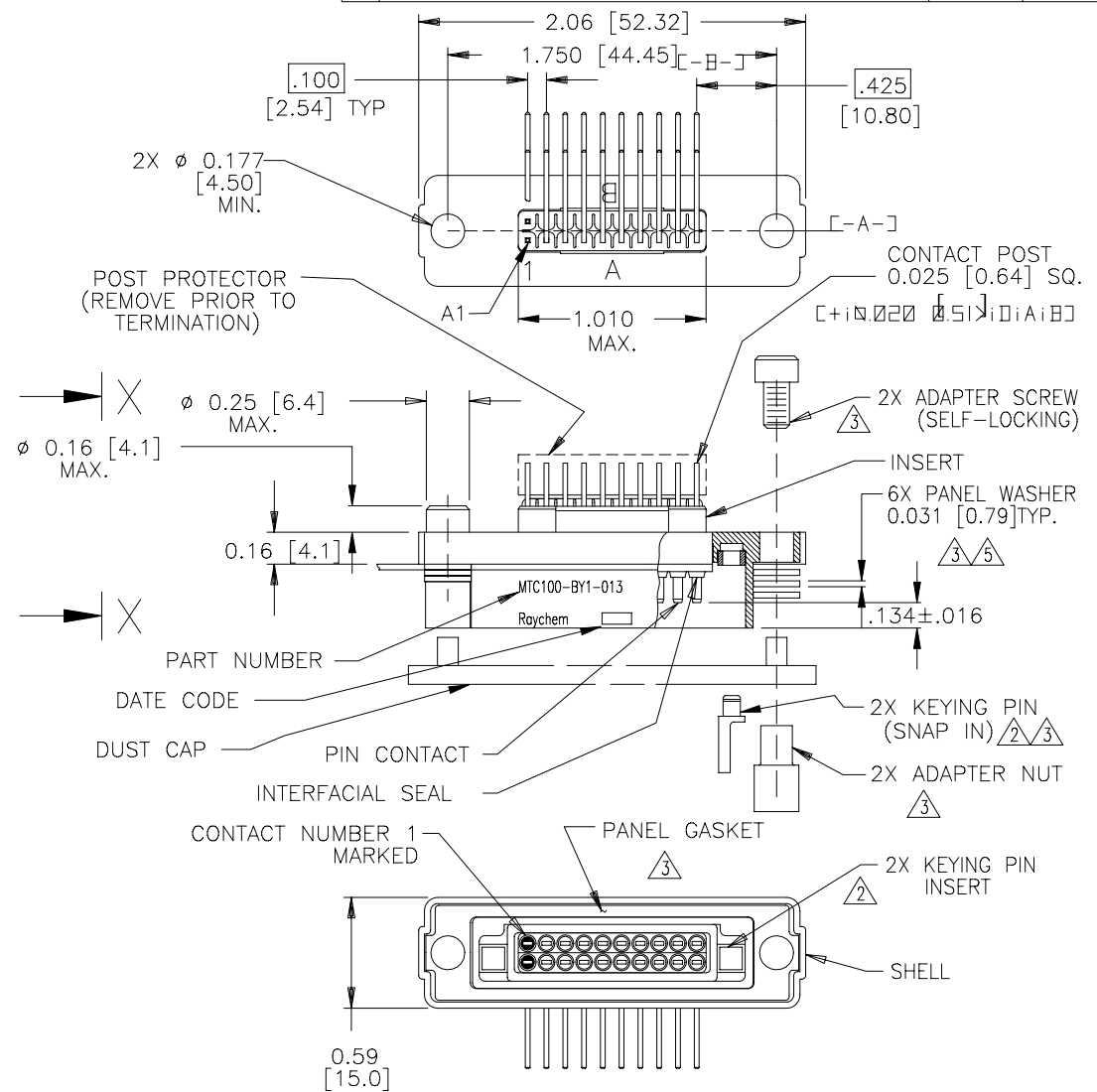
NOTES:

1. A BOX MOUNT RECEPTACLE MATES WITH A MTC PLUG CONTAINING SOCKET INSERTS. REFER TO APPLICABLE RAYCHEM SPECIFICATION CONTROL DRAWING FOR DETAILS.
2. FOR KEYING INFORMATION, SEE RAYCHEM DRAWING D-659-0080.
3. THESE ITEMS ARE SUPPLIED UNASSEMBLED.
4. DIMENSION SHOWN IS WITH MATED PLUG CONNECTOR:
  - a. WITH CABLE CLAMP
  - b. WITHOUT CABLE CLAMP AND WITHOUT EARS
5. THIS BOX MOUNT RECEPTACLE IS REAR PANEL MOUNTED BY REMOVING AS MANY PANEL WASHERS AS REQUIRED TO ACCOMMODATE THE THICKNESS OF THE PANEL BEING USED. SEE SHEET 2, TABLE 2.
6. SEE SHEET 2, TABLE 3, FOR WEIGHTS. WEIGHTS SHOWN ARE WITHOUT DUST CAP AND WITHOUT POST PROTECTOR.
7. CONNECTOR SHELL MUST BE RIGIDLY ANCHORED TO THE PRINTED CIRCUIT BOARD IN A MANNER THAT PRECLUDES FLEXING OF THE TERMINATION POSTS AT THE POINT OF BEND.

TABLE 1 <span style="float:right">4a</span>	
DIMENSION "X"	
DESCRIPTION	MAX. LENGTH
STANDARD PLUG	1.50 [38.1]
PLUG WITH EME BACKSHELL (FCC)	2.04 [51.8]
PLUG WITH EME BACKSHELL (RW)	2.93 [74.4]



REVISIONS			
LTR	DESCRIPTION	DATE	APPROVED
B	REVISED PER ECN T-19857		



If this document is printed it becomes uncontrolled.  
Check with the web for latest revision.

SPECIFICATION CONTROL DRAWING © Raychem Corporation 1994

UNLESS OTHERWISE SPECIFIED DIMENSIONS ARE IN INCHES. METRIC DIMENSIONS ARE IN BRACKETS.  DECIMALS .XXX ± .005 { 0.13mm } .XX ± .01 { 0.25mm } ANGLES .X ± WEIGHT <span style="float:right">6</span>	DRAWN	8/22/94	Raychem RAYCHEM CORPORATION 300 CONSTITUTION DRIVE MENLO PARK, CALIFORNIA 94025	
	CHECKED	R.H. 8/22/94		
	APPROVED	R.HAGMANN 8/22/94	TITLE CONNECTOR, RECEPTACLE, FLANGED, PIN, BOXMOUNT, 1 - INCH, .025 SQ. POST, RIGHT ANGLE, MTC100 SERIES (16VE049006-4)	
	APPROVED			
CAD NAME 008111-1.DWG			SIZE A	CODE IDENT. NO. 06090
THIRD ANGLE PROJECTION			DWG. NO. MTC100-BY1-013	REV B
			DO NOT SCALE THIS DRAWING	

SHEET 1  
DWG NO. MTC100-BY1-013

SPECIFICATIONS:

MATERIALS:

- A. SHELL ALUMINUM ALLOY PER QQ-A-591
- B. ADAPTER SCREW STAINLESS STEEL PER QQ-S-763, 300 SERIES
- C. ADAPTER NUT STAINLESS STEEL PER QQ-S-763, 300 SERIES
- D. STANDARD PANEL GASKET SILICONE ELASTOMER PER MIL-R-25988
- E. INSERT HIGH GRADE POLYARYLENE THERMOPLASTIC
- F. INTERFACIAL SEAL SILICONE ELASTOMER PER MIL-R-25988
- G. KEYING PIN HIGH GRADE POLYARYLENE THERMOPLASTIC
- H. PIN CONTACT COPPER ALLOY PER QQ-B-750
- I. PANEL WASHER STAINLESS STEEL PER QQ-S-763, 300 SERIES
- J. KEYING PIN INSERT HIGH GRADE POLYARYLENE THERMOPLASTIC

FINISH:

APPLIES TO CADMIUM PLATED CONNECTORS

- A. SHELL CADMIUM PLATED PER QQ-P-416 OVER NICKEL UNDERPLATE
- B. ADAPTER SCREW CADMIUM PLATED PER QQ-P-416
- C. ADAPTER NUT CADMIUM PLATED PER QQ-P-416
- D. PANEL WASHER CADMIUM PLATED PER QQ-P-416
- E. PIN CONTACT ENGAGING END - GOLD PLATED PER MIL-G-45204 TYPE 1, GRADE C, CLASS 1  
TERMINATION POST - TINNED WITH Sn63 SOLDER PER QQ-S-571

DESIGN AND CONSTRUCTION:

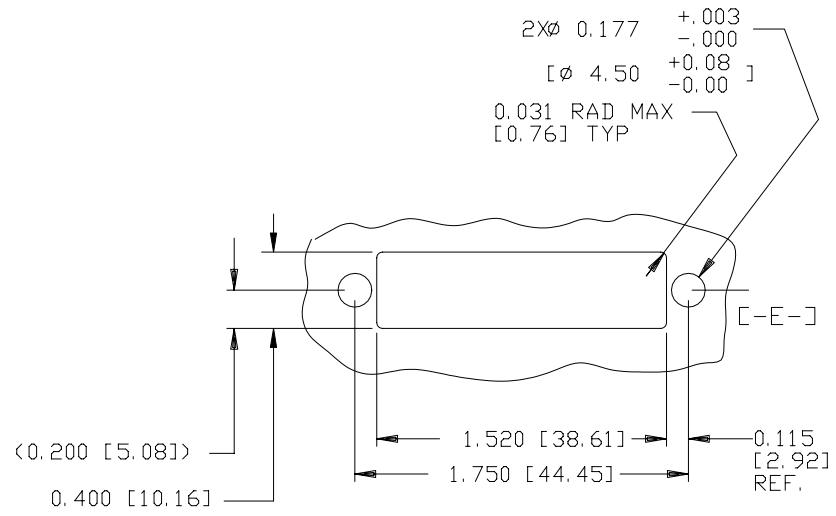
THE CONNECTORS SPECIFIED HEREIN ARE PANEL MOUNTED RECEPTACLES WITH FIXED (NON REMOVABLE) PIN INSERTS AND CONTACTS. THE CONNECTOR IS WITHOUT PROVISIONS FOR CABLE CLAMPS OR TERMINATION SEALS.

PERFORMANCE:

THE APPLICABLE RAYCHEM SPECIFICATION FOR THIS PART IS C6111. THIS PART IS NOT QUALIFIED TO C6111.

HUMIDITY  
ALTITUDE IMMERSION  
ALTITUDE-LOW TEMPERATURE  
FLUID IMMERSION

THE CONNECTOR TERMINATION END MUST BE SUITABLY PROTECTED FOR TESTING OR APPLICATION IN ANY OF THESE ENVIRONMENTS.



RECOMMENDED PANEL CUT-OUT

TABLE 2  $\Delta$

PANEL THICKNESS	NUMBER OF PANEL WASHERS FOR EACH FASTENER
0.031/0.036 [0.81/[0.9]	2
0.062/0.067 [1.53/[1.7]	1
0.093/0.097 [2.31/[2.4]	0

TABLE 3  $\Delta$

WEIGHT (lbs.[gr.] MAX.	
CONNECTOR SIZE	FLANGED
1 INCH	0.044 [19.96]

**If this document is printed it becomes uncontrolled.  
Check with the web for latest revision.**

DRAWN	DATE	SIZE	CODE IDENT. NO.	DWG. NO.	REV
ISSUED	DATE	A	06090	MTC100-BY1-013	B
		DO NOT SCALE THIS DRAWING		008111-2.DWG	SHEET 2 OF 2

SHEET 2  
DWG. NO. MTC100-BY1-013