



Chipsmall Limited consists of a professional team with an average of over 10 year of expertise in the distribution of electronic components. Based in Hongkong, we have already established firm and mutual-benefit business relationships with customers from,Europe,America and south Asia,supplying obsolete and hard-to-find components to meet their specific needs.

With the principle of "Quality Parts,Customers Priority,Honest Operation,and Considerate Service",our business mainly focus on the distribution of electronic components. Line cards we deal with include Microchip,ALPS,ROHM,Xilinx,Pulse,ON,Everlight and Freescale. Main products comprise IC,Modules,Potentiometer,IC Socket,Relay,Connector.Our parts cover such applications as commercial,industrial, and automotives areas.

We are looking forward to setting up business relationship with you and hope to provide you with the best service and solution. Let us make a better world for our industry!



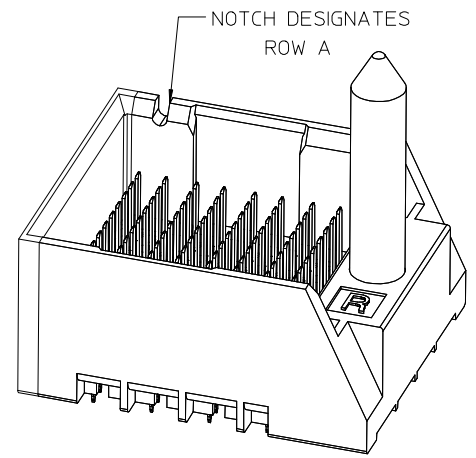
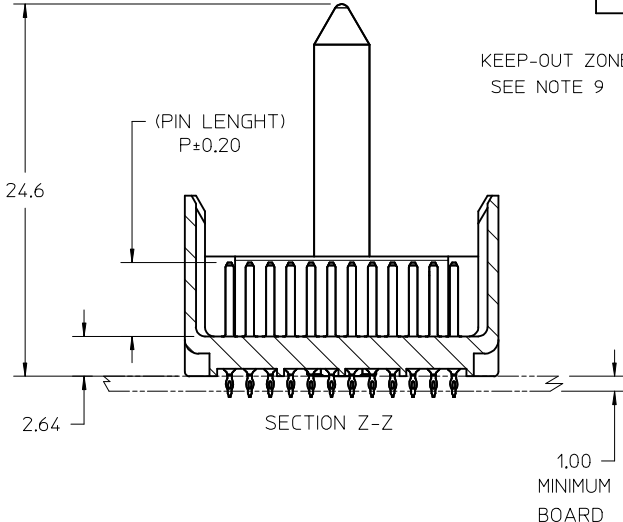
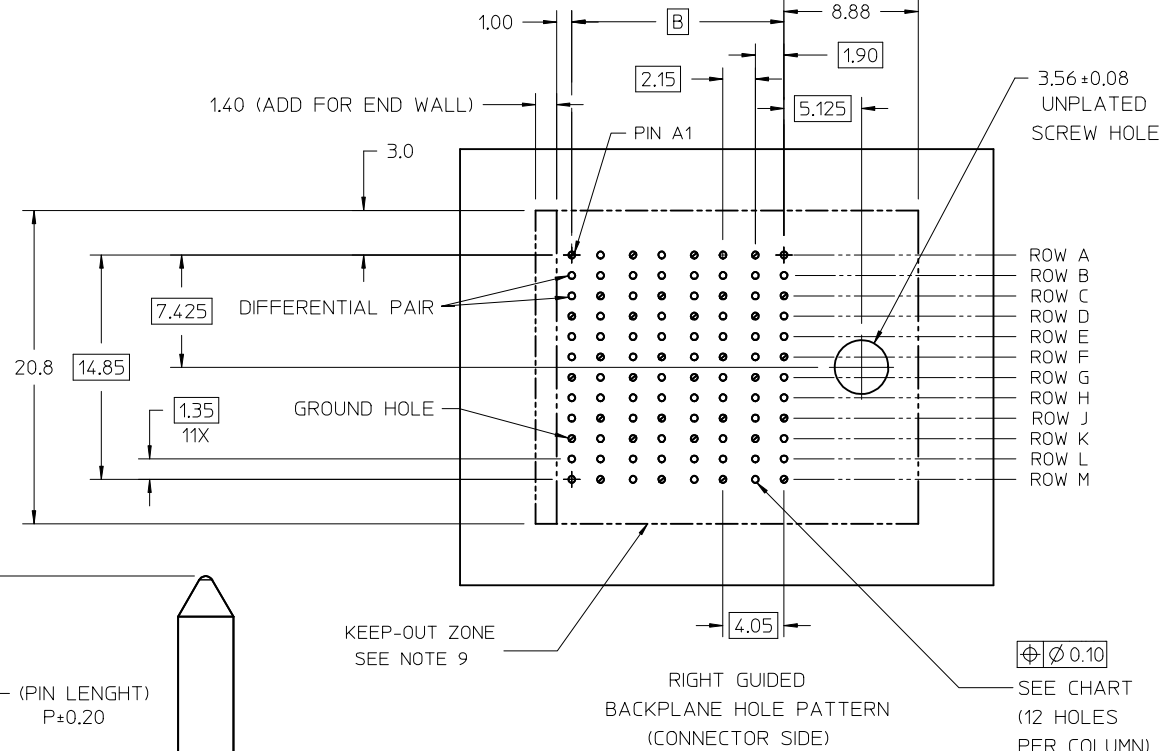
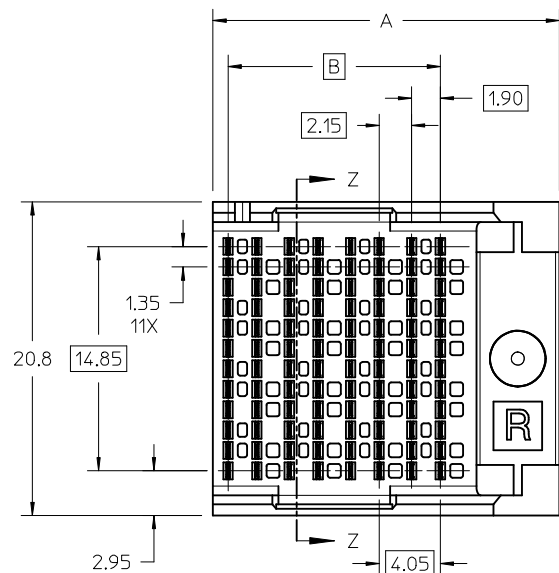
Contact us

Tel: +86-755-8981 8866 Fax: +86-755-8427 6832

Email & Skype: info@chipsmall.com Web: www.chipsmall.com

Address: A1208, Overseas Decoration Building, #122 Zhenhua RD., Futian, Shenzhen, China

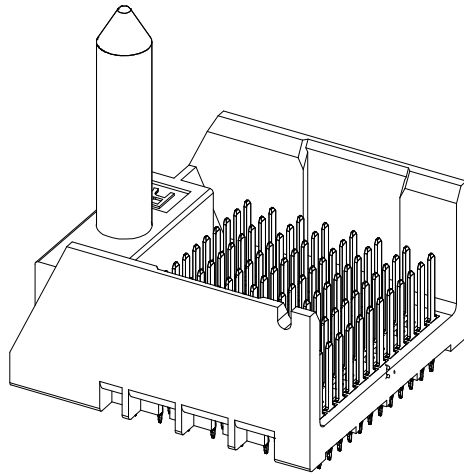




- NOTES:
1. MATERIALS: HOUSING - LIQUID CRYSTAL POLYMER (LCP)
GLASS-FILLED, UL94V-0
TERMINALS - HIGH PERFORMANCE COPPER ALLOY
 2. FINISH: 30μ MIN GOLD IN CONTACT AREA.
SELECTIVE TIN ON PCB TAILS.
NICKEL OVERALL.
 3. REFER TO MOLEX PRODUCT SPECIFICATION PS-76060-999
FOR PERFORMANCE SPECIFICATIONS AND ADDITIONAL PCB INFORMATION.
 4. THIS PART CONFORMS TO CLASS B REQUIREMENTS OF MOLEX
COSMETIC SPEC PS-45499-002.
 5. PACKAGE PER: PK-70873-764.
 6. SEE SHEETS 2 & 3 FOR PART NUMBERS AND BOARD RELATIONSHIPS.
 7. MATES WITH IMPACT DC SERIES NO. 76850.
 8. REFER TO MOLEX PCB ROUTING GUIDE AS-76060-990 FOR ANTIPAD AND
ROUTING RECOMMENDATIONS.
 9. KEEP OUT ZONE FOR BP HOUSING LENGTH INCLUDES AN ADDITIONAL 1.0MM
TO ACCOMODATE FOR SPACE REQUIRED BY DC FRONT HOUSING.
 10. CONNECTORS SUPPLIED WITH A 2-56 UNC-2A SCREW.

INITIAL RELEASE EC NO: UCP2013-0902 DRWINDVARVARA 2012/09/06 CHKD: APPR: JB INGHAM 2012/09/24	QUALITY SYMBOLS ▽=0 ▽=0	GENERAL TOLERANCES (UNLESS SPECIFIED)		DIMENSION STYLE MM ONLY	SCALE 4:1	DESIGN UNITS METRIC	THIRD ANGLE PROJECTION		
		4 PLACES ± --- ± ---	3 PLACES ± --- ± ---	2 PLACES ± 0.13 ± ---	1 PLACE ± 0.25 ± ---	ANGULAR ± 1/2°	DRAWN BY JMENDOZA	DATE 2010/05/10	CHECKED BY JB INGHAM
DRAFT WHERE APPLICABLE MUST REMAIN WITHIN DIMENSIONS		SEE CHART		MATERIAL NO.	DOCUMENT NO.	MOLEX INCORPORATED			
SIZE C		THIS DRAWING CONTAINS INFORMATION THAT IS PROPRIETARY TO MOLEX INCORPORATED AND SHOULD NOT BE USED WITHOUT WRITTEN PERMISSION		SD-76849-0003		SHEET NO. 1 OF 3			

MATERIAL NUMBER	# OF COLUMNS	# OF DIFF PAIR	DIM "A"	DIM "B"	MODULE TYPE
76849-980*	8	32	24.3	14.05	END WALL
76849-580*	8	32	22.9	14.05	OPEN WALL



GUIDE RIGHT OPEN END

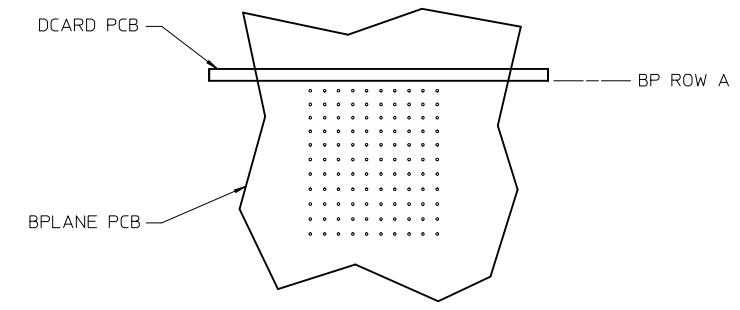
76849-***0*

MODULE TYPE
 5 = GUIDE RIGHT, TIN
 9 = GUIDE RIGHT END WALL, TIN

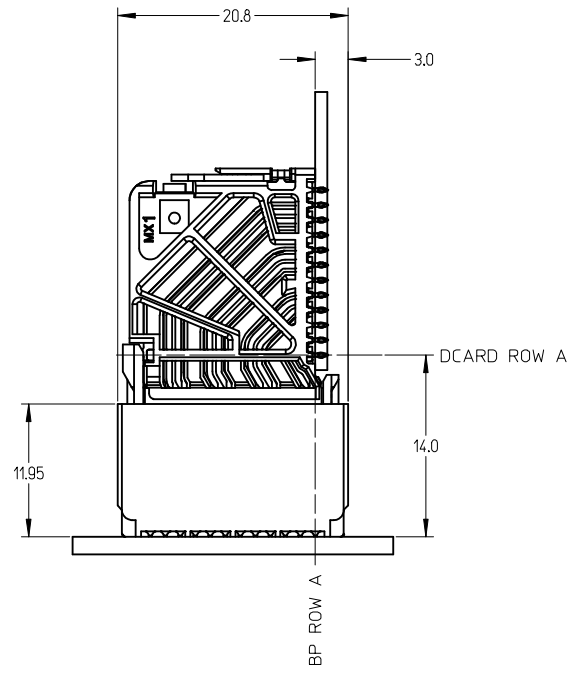
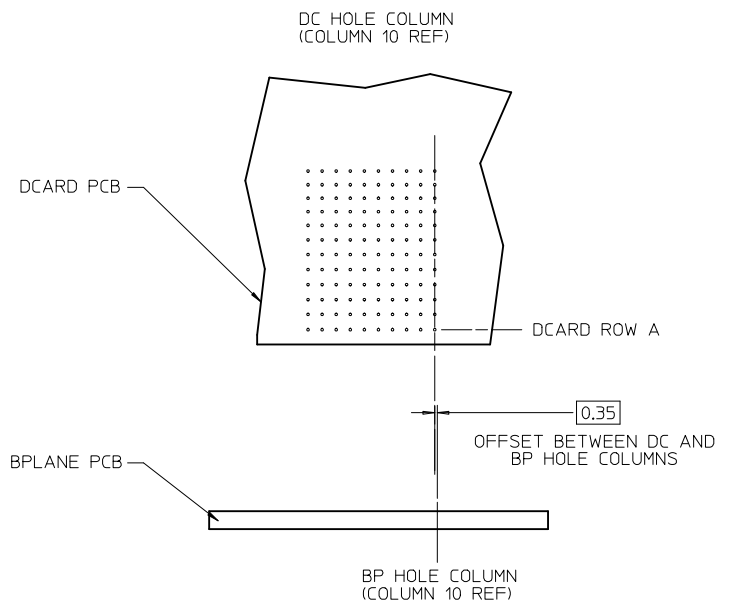
OF COLUMNS
 8 = 8 COL

PIN LENGTH (P)
 4 = 4.90, (0.46 PTH)
 5 = 5.50, (0.46 PTH)
 7 = 4.90, (0.39 PTH)
 8 = 5.50, (0.39 PTH)

INITIAL RELEASE EC NO: UCP2013-0902 DRWINDYARVARA 2012/09/06 CHKD: APPR: JB INGHAM 2012/09/24 REV: A	QUALITY SYMBOLS ▽=0 ▽=0	GENERAL TOLERANCES (UNLESS SPECIFIED) <table border="1"> <thead> <tr> <th></th> <th>mm</th> <th>INCH</th> </tr> </thead> <tbody> <tr> <td>4 PLACES</td> <td>± ---</td> <td>± ---</td> </tr> <tr> <td>3 PLACES</td> <td>± ---</td> <td>± ---</td> </tr> <tr> <td>2 PLACES</td> <td>± 0.13</td> <td>± ---</td> </tr> <tr> <td>1 PLACE</td> <td>± 0.25</td> <td>± ---</td> </tr> </tbody> </table> ANGULAR ±1/2°		mm	INCH	4 PLACES	± ---	± ---	3 PLACES	± ---	± ---	2 PLACES	± 0.13	± ---	1 PLACE	± 0.25	± ---	DIMENSION STYLE MM ONLY DRAWN BY: JMENDOZA DATE: 2010/05/10 CHECKED BY: JB INGHAM DATE: 2010/05/10 APPROVED BY: JB INGHAM DATE: 2012/09/24	SCALE: 4:1 DESIGN UNITS: METRIC THIRD ANGLE PROJECTION	TITLE: IMPACT ORTHO ROUTABLE 4 PAIR HEADER ASSEMBLY RIGHT GUIDE SALES DWG MOLEX INCORPORATED DOCUMENT NO. SD-76849-0003 SHEET NO. 2 OF 3
		mm	INCH																	
	4 PLACES	± ---	± ---																	
	3 PLACES	± ---	± ---																	
2 PLACES	± 0.13	± ---																		
1 PLACE	± 0.25	± ---																		
DRAFT WHERE APPLICABLE MUST REMAIN WITHIN DIMENSIONS	MATERIAL NO. SEE CHART SIZE C THIS DRAWING CONTAINS INFORMATION THAT IS PROPRIETARY TO MOLEX INCORPORATED AND SHOULD NOT BE USED WITHOUT WRITTEN PERMISSION																			



IMPACT ORTHO 4 PAIR
BOARD RELATIONSHIPS



INITIAL RELEASE EC NO: UCP2013-0902 DRAWN: DVARIVARA 2012/09/06 CHKD: JB INGHAM APPR: JB INGHAM 2012/09/24	DESCRIPTION REV A	QUALITY SYMBOLS	GENERAL TOLERANCES (UNLESS SPECIFIED)	DIMENSION STYLE	SCALE	DESIGN UNITS	THIRD ANGLE PROJECTION	
		$\nabla=0$ $\nabla=0$	mm INCH 4 PLACES ± --- ± --- 3 PLACES ± --- ± --- 2 PLACES ± 0.13 ± --- 1 PLACE ± 0.25 ± --- ANGULAR ± 1/2°	MM ONLY	3:1	METRIC	DRAWN BY: JMENDOZA DATE: 2010/05/10 CHECKED BY: DATE: JB INGHAM 2010/05/10 APPROVED BY: DATE: JB INGHAM 2012/09/24 MATERIAL NO. DOCUMENT NO.	
			DRAFT WHERE APPLICABLE MUST REMAIN WITHIN DIMENSIONS	SEE CHART	TITLE	IMPACT ORTHO ROUTABLE 4 PAIR HEADER ASSEMBLY RIGHT GUIDE SALES DWG		MOLEX INCORPORATED SD-76849-0003
								SHEET NO. 3 OF 3