



Chipsmall Limited consists of a professional team with an average of over 10 year of expertise in the distribution of electronic components. Based in Hongkong, we have already established firm and mutual-benefit business relationships with customers from,Europe,America and south Asia,supplying obsolete and hard-to-find components to meet their specific needs.

With the principle of “Quality Parts,Customers Priority,Honest Operation,and Considerate Service”,our business mainly focus on the distribution of electronic components. Line cards we deal with include Microchip,ALPS,ROHM,Xilinx,Pulse,ON,Everlight and Freescale. Main products comprise IC,Modules,Potentiometer,IC Socket,Relay,Connector.Our parts cover such applications as commercial,industrial, and automotives areas.

We are looking forward to setting up business relationship with you and hope to provide you with the best service and solution. Let us make a better world for our industry!



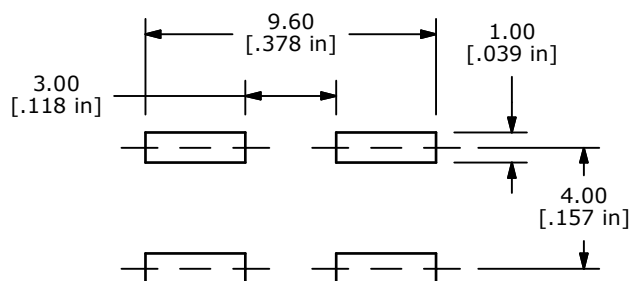
Contact us

Tel: +86-755-8981 8866 Fax: +86-755-8427 6832

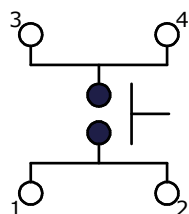
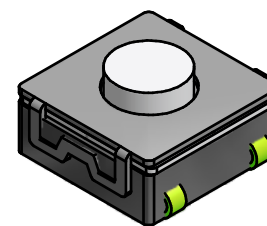
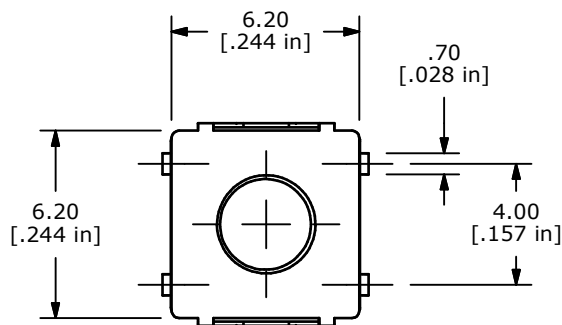
Email & Skype: info@chipsmall.com Web: www.chipsmall.com

Address: A1208, Overseas Decoration Building, #122 Zhenhua RD., Futian, Shenzhen, China

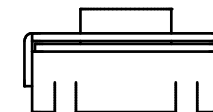
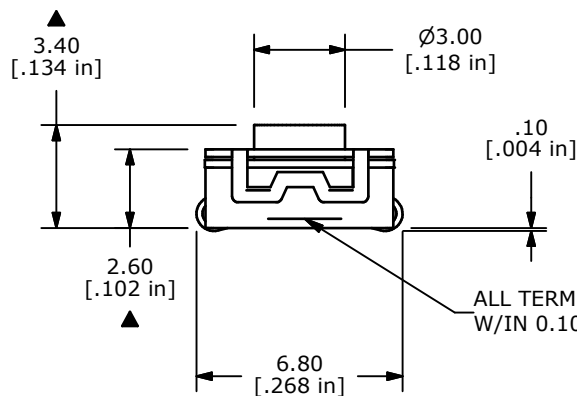




RECOMMENDED P.C.B. LAYOUT



CIRCUIT: SPST



NOTES:

1. ALL DIMENSIONS IN MM [INCH]
2. GENERAL TOLERANCE: $x.x \pm 0.4$
 $x.xx \pm 0.25$
3. TERM. NOS. FOR REF. ONLY
4. RATING: 50mA, @12V DC
- ▲5. OPERATING FORCE: 350 ± 50 gf
6. TRAVEL: $0.25 +0.2/-0.1$ MM
7. CONTACT RESISTANCE: 100 mΩ MAX. C
8. PACKAGING: TAPE AND REEL, 1600 PCS PER REEL
- ▲9. CONTACT MATERIAL: SILVER
10. ▲ DENOTES CRITICAL PARAMETER
11. 2002/95/EC (ROHS) COMPLIANT
12. MECHANICAL/ELECTRICAL LIFE: 100,000 CYCLES
13. OPERATING TEMPERATURE: -20°C TO 70°C C



| | | | | |
|-----|--------|-------------------------------|----------|-----|
| C | 21024 | 100mΩ WAS 100Ω, ADD TEMP NOTE | 2/12/13 | EBP |
| B | 16711 | REVISED AND REDRAWN INVENTOR | 11/29/06 | TN |
| REV | PCR NO | DESCRIPTION | DATE | BY |

| | | | | |
|---------------------|------------|----|---------|-----|
| TITLE TL3304AF350QJ | | | | |
| SCALE | DATE | DR | DWG | REV |
| 4:1 | 11/29/2006 | TN | P010588 | C |

THE INFORMATION CONTAINED IN THIS DOCUMENT IS PROPRIETARY TO E-SWITCH AND IS NOT TO BE COPIED OR TRANSFERRED