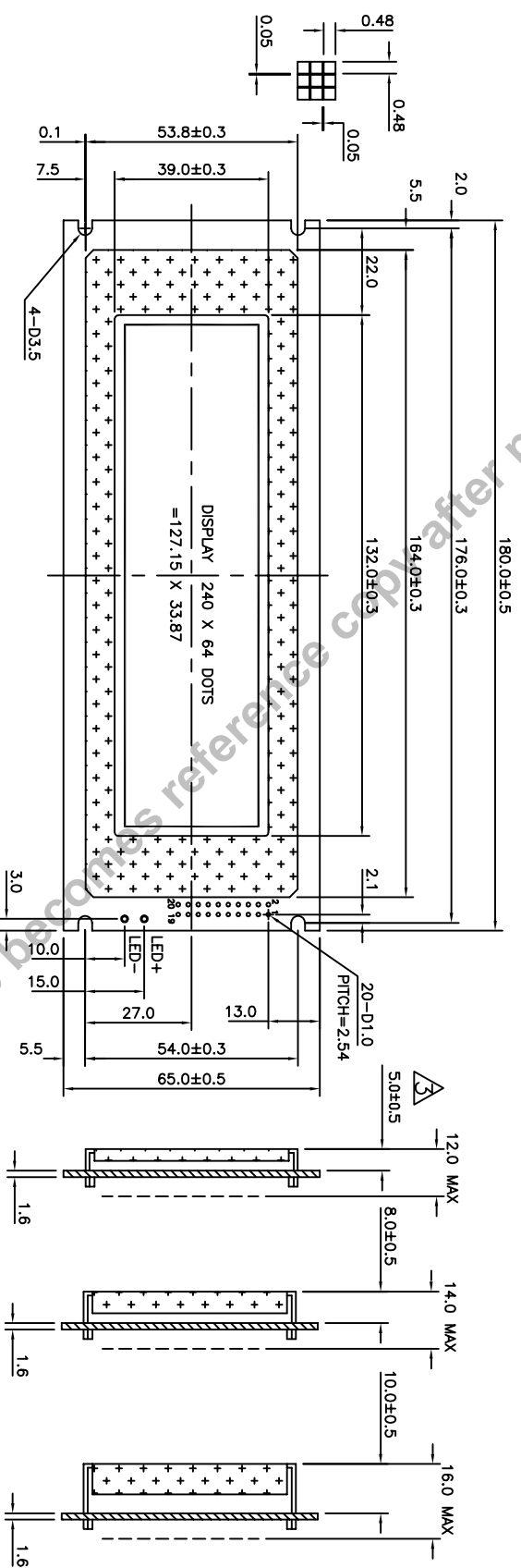
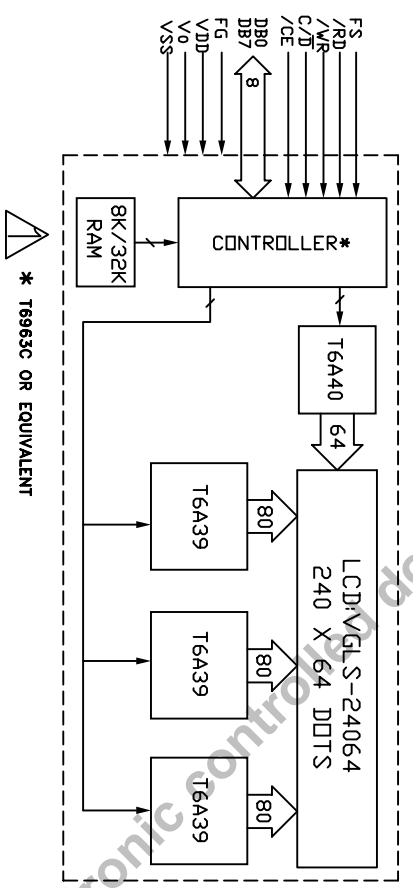


ISSUE	AMENDMENT	DATE
1	ADD 32K RAM	99.10.14
2	UPDATE DRAWING	02.05.24
3	MODIFY DIMENSION ADD NOTES	02.12.16



1	2	3	4	5	6	7	8	9	10	11	12	13	14	15	16	17	18	19	20
FG	VSS	VDD	VO	/WR	/RD	/CE	C/D	NC	/RST	DB0	DB1	DB2	DB3	DB4	DB5	DB6	DB7	FS	NC

NOTES:  
 ▽ SPECIAL CHARACTERISTIC  
 + SAFETY CHARACTERISTIC  
 ◁ REFERENCE ONLY  
 ▽ CRITICAL DIMENSION



\* T6963C OR EQUIVALENT

TITLE: SPECIFICATION OF MODULE

PROJECT NO: MGL(S)-24064

TOLERANCE UNLESS OTHERWISE SPECIFIED:  
 X.X ±0.3  
 X.XX ±0.1

DIMENSIONS IN MM  
 MATERIAL: FINISH:  
 SCALE: DO NOT ON SCALE THICKNESS:

THIRD ANGLE PROJECTION

DRAWN	CHECKED	APPROVED	NAME	SIZE	DATE
			LUO XIAN GANG		02.12.16
			HE JIAN WEN		
			DERRICK TAM		

ITEM NO. MGLS24064-XX

DESCRIPTION: MGLS24064

FILE NO: MGLS24064-XX R3.DWG/REV 3

**VB** VARRITRONIX LIMITED