

**DESCRIPTION**

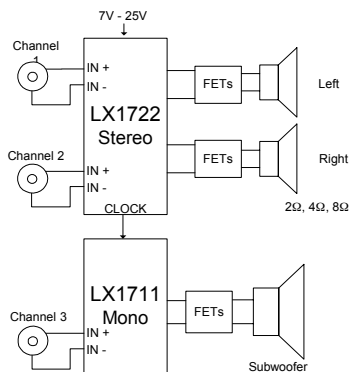
The LX1721/1722 is a monolithic high performance Class-D stereo controller IC designed for high efficiency or space constrained audio requirements such as portable or battery operated products, automotive amplifiers, and multi-channel multimedia computer and video game applications. This high frequency, full audio bandwidth switching power amplifier controller offers dramatically improved performance over Linfinity's previous generation amplifier products. Enhancements include higher output power, better SNR, lower noise floor, and reduced THD. Combined with output power MOSFET's and an output filter, the LX1721/1722 is a complete Class-D audio solution.

A complete audio amplifier module is available to quickly evaluate the LX1721 or LX1722 stereo controller. Simply connect the amplifier to the power source, audio signal, and speakers. Reference designs support a variety of requirements including multi channel systems, subwoofers, satellite / subwoofer combinations and various speaker loads (2Ω, 4Ω, 8Ω). The versatile amplifier solution can easily be adjusted for frequency response, optimized for efficiency and performance, or designed to minimize PCB area and component count. The LX1721/1722 is available in a space saving 44-pin QSOP package. (Continued Next Page)

**IMPORTANT:** For the most current data, consult MICROSEMI's website: <http://www.microsemi.com>

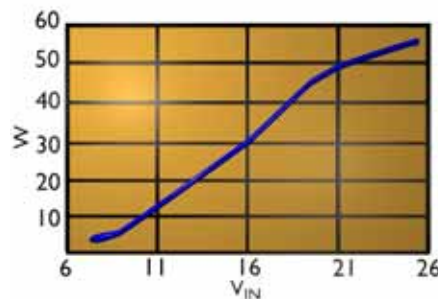
**KEY FEATURES**

- Integrated Switching Class-D Stereo Controller IC
- Full 20Hz-20kHz Audio Bandwidth
- High Fidelity (LX1721) Or High Power (LX1722) Versions Available
- Single Supply Operation
- THD+N <0.06% Typical (1Wrms, 1kHz, 4Ω)
- Maximum Efficiency 80%-85%
- Output Power >60Wrms per Channel (LX1722, 4Ω, 1% THD+N)
- PSRR -70dB Typical
- Differential Input To Minimize Noise Effects
- Supports Multi-Channel Systems
- Complete LXE1721or LXE1722 Amplifier Evaluation Module Available
- 44-Pin QSOP Package

**PRODUCT HIGHLIGHT**


**2.1 Audio Amplifier Configuration**

**Output Power vs. Supply Voltage**  
 1kHz, 4Ω, THD+N=1%


**APPLICATIONS**

- Multimedia Speakers
- Surround Sound Game Systems
- Notebook Computers
- Desktop Computers
- Automotive Amplifiers And Head units
- Battery Operated Equipment (Megaphone, Public Address System)
- Portable Audio (Boom Box)
- Wireless Speakers
- High Power Subwoofer
- Automotive Audio Systems
- Home Theatre

**PACKAGE ORDER INFO**

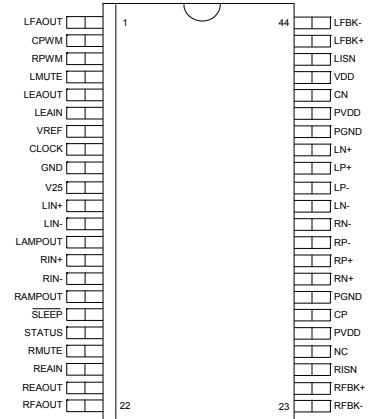
T <sub>J</sub> (°C)	V <sub>DD</sub>	DB	Plastic QSOP 44-Pin
-20 to 70	7V – 15V		LX1721CDB
-20 to 70	7V – 25V		LX1722CDB

Note: Available in Tape & Reel.  
 Append the letters "TR" to the part number. (i.e. LX1722CDBTR)

**THERMAL DATA**
**DB 44-PIN QSSOP PACKAGE**
**THERMAL RESISTANCE-JUNCTION TO AMBIENT,  $\theta_{JA}$** 
**50°C/W**

 Junction Temperature Calculation:  $T_J = T_A + (P_D \times \theta_{JA})$ .

 The  $\theta_{JA}$  numbers are guidelines for the thermal performance of the device/pc-board system. All of the above assume no ambient airflow.

**PACKAGE PIN OUT**

**DB PACKAGE**  
 (Top View)

**DESCRIPTION (CONTINUED)**

The stereo output controller is available in either an LX1722 high power version (>65Wrms, 4Ω) with a supply voltage range of 7V-25V or an LX1721 high fidelity version (better SNR performance) with a supply voltage range of 7V-15V. The current rating of the external MOSFET's, the available supply voltage, and speaker load primarily limits the maximum output power. The amplifier provides high fidelity performance and is designed to operate over the full 20Hz to 20kHz audio band. Signal distortion measurements yield.

THD+N levels of 0.06%(1kHz, 1Wrms). Efficiency is greater than 80% typical, which eliminates the need for heatsinks in most applications. The AudioMAX™ solution requires a single supply voltage, simplifying input power requirements where a dual supply may not be available. To minimize potential environmental noise issues and ease the integration of the amplifier into a variety of applications, features such as a balanced/differential audio input and a high power supply rejection ratio help reduce the effects of noise from the audio signal or power supply.

**FUNCTIONAL PIN DESCRIPTION**

PIN NAME	DESCRIPTION	PIN NAME	DESCRIPTION
LFAOUT	Left Feedback Amplifier Output	LFBK-	Left Feedback Amplifier Inverting Input
CPWM	PWM Capacitor Connection	LFBK+	Left Feedback Amplifier Non-Inverting Input
RPWM	PWM Resistor Connection	LISN	Left Current Limit Sense Input
LMUTE	Left Mute Input (Active High)	VDD	Analog Supply Voltage
LEAOUT	Left Error Amplifier Output	CN	Supply Decoupling for NFET Drivers
LEAIN	Left Inverting Input of Error Amplifier	PVDD	Output Driver Supply Voltage
VREF	5V Reference	PGND	Output Driver High Current Ground
CLOCK	Input / Output Clock for Synch Operation	LN+	Left Drive for NFET on Positive Half of Bridge
GND	Low Current Ground	LP+	Left Drive for PFET on Positive Half of Bridge
V25	2.5V Reference	LP-	Left Drive for PFET on Negative Half of Bridge
LIN+	Left Positive Audio Input	LN-	Left Drive for NFET on Negative Half of Bridge
LIN-	Left Negative Audio Input	RN-	Right Drive for NFET on Negative Half of Bridge
LAMPOUT	Left Input Amplifier Output	RP-	Right Drive for PFET on Negative Half of Bridge
RIN+	Right Positive Audio Input	RP+	Right Drive for PFET on Positive Half of Bridge
RIN-	Right Negative Audio Input	RN+	Right Drive for NFET on Positive Half of Bridge
RAMPOUT	Right Input Amplifier Output	PGND	Output Driver High Current Ground
SLEEP	Sleep Input (active low)	CP	Supply Decoupling for PFET Drivers
STATUS	UVLO Indicator (Open Collector Output)	PVDD	Output Driver Supply Voltage
RMUTE	Right Mute Input (Active High)	NC	No Connect
REAIN	Right Inverting Input of Error Amplifier	RISN	Right Current Limit Sense Input
REAOUT	Right Error Amplifier Output	RFBK+	Left Feedback Amplifier Non-Inverting Input
RFAOUT	Right Feedback Amplifier Output	RFBK-	Right Feedback Amplifier Inverting Input

**ABSOLUTE MAXIMUM RATINGS**

Supply Voltage (PVDD, VDD) .....	-0.3V to 30V
SLEEP, STATUS, R/LFBK+, R/LFBK- .....	-0.3V to VDD +0.3V
R/LISN .....	PVDD -2 to PVDD to +0.3V
RPWM, CPWM, R/LMUTE .....	-0.3V to VREF +0.3V
R/LIN+, R/LIN-, R/LAMPOUT .....	-0.3V to VREF +0.3V
R/LEAIN, R/LEAOUT, R/LFAOUT .....	-0.3V to VREF + 0.3V
CLOCK .....	-0.3V to CN +0.3V
Operating Junction Temperature Plastic .....	125°C
Storage Temperature Range .....	-65°C to 150°C
Lead Temperature (Soldering, 10 seconds) .....	300°C

Note: Exceeding these ratings could cause damage to the device. All voltages are with respect to Ground. Currents are positive into negative out of the specified terminal.

**ELECTRICAL CHARACTERISTICS**

Unless otherwise specified, the following specifications apply over the operating ambient temperature  $-20^{\circ}\text{C} < T_A < 70^{\circ}\text{C}$  (NOTE 2).  
 Test conditions: RPWM = 34.8k, CPWM = 100pF, VDD = PVDD = 15V

Parameter	Symbol	Test Conditions	LX1721 / 1722			Units
			Min	Typ	Max	
<b>Evaluation Module (See LX1721)</b>						
Supply Voltage	LX1721	$V_{DD}$	7		15	V
	LX1722		7		25	
Power Supply Rejection Ratio	PSRR	$V_{IN} = 15\text{V}$ , $V_{RIPPLE} = 1V_{RMS}$ , 20Hz to 20kHz		-70		dB
Output Power (Per Channel)	$P_O$	$V_{IN} = 15\text{V}$ , $R_L = 4\Omega$ , THD+N=1%, 10Hz to 22kHz		25		W
		$V_{IN} = 25\text{V}$ , $R_L = 4\Omega$ , THD+N=1%, 10Hz to 22kHz		60		
Efficiency		$V_{IN} = 15\text{V}$ , $f_{IN} = 1\text{kHz}$ , $P_O = 10\text{W}$		82		%
		$V_{IN} = 15\text{V}$ , $f_{IN} = 1\text{kHz}$ , $P_O = 20\text{W}$		85		
Total Harmonic Distortion Plus Noise	THD+N	$f_{IN} = 1\text{kHz}$ , $P_O = 1\text{W}$		.06		%
		$f_{IN} = 20\text{Hz}$ to 20kHz, $P_O = 1\text{W}$			.2	
Signal-To-Noise Ratio	SNR	$R_L = 4\Omega$ , $P_O = 1\text{W}$		81		dBr
<b>Oscillator Section</b>						
Oscillator Frequency	$F_{OSC}$			450		kHz
Charge Current	$I_{CHG}$	(varies with $V_{DD}$ pin voltage)		-225		$\mu\text{A}$
Discharge Current	$I_{DIS}$	(varies with $V_{DD}$ pin voltage)		225		$\mu\text{A}$
Oscillator Peak Voltage	$V_{PK}$	(varies with $V_{DD}$ pin voltage)		3.6		V
Oscillator Valley Voltage	$V_{VAL}$	(varies with $V_{DD}$ pin voltage)		1.4		V
Voltage Stability		$V_{DD} = 8\text{V}$ to 25V		0.6	2	%
Temperature Stability		$T_A = 0^{\circ}\text{C}$ to $70^{\circ}\text{C}$		1.0	2	%
<b>Error Amplifier</b>						
Input Offset Voltage	$V_{IO}$			5		mV
DC Open Loop Gain	$A_{OL}$			60		dB
Unity Gain Bandwidth	UGBW			7		MHz
High Output Voltage	$V_{OH}$	$I_{OUT} = -100\mu\text{A}$	3.5			V
Low Output Voltage	$V_{OL}$	$I_{OUT} = +100\mu\text{A}$			100	mV
Input Bias Current	$I_{IN}$	$V_{IN} = 1\text{V}$ to 4V		1		$\mu\text{A}$
<b>Input Amplifier</b>						
Stage Gain		Set by Internal Resistors	3.465	3.5	3.535	V/V
Output Voltage, High	$V_{OH}$	$I_{OUT} = -100\mu\text{A}$	3.85			V
Output Voltage, Low	$V_{OL}$	$I_{OUT} = +100\mu\text{A}$			1.3	V
Input Impedance				180		k $\Omega$
<b>Feedback Amplifier</b>						
Stage Gain	LX1721	Set by Internal Resistors	89	91	93	mV/V
	LX1722	Set by Internal Resistors	56	57	58	mV/V
Input Impedance	LX1721			250		k $\Omega$
	LX1722			400		k $\Omega$

**ELECTRICAL CHARACTERISTICS (CONTINUED)**

Parameter	Symbol	Test Conditions	LX1721 / 1722			Units
			Min	Typ	Max	
<b>Current Limit Comparator</b>						
Voltage Sense Threshold			190	210	230	mV
Blanking Pulse Delay				500		ns
Response Time		Excluding blanking pulse		250		ns
I <sub>UM</sub> Pulses required to Current Limit Latch			4	4	4	cycles
Consecutive Clear Pulses required to reset I <sub>UM</sub> counter			2	2	2	cycles
<b>Reference Voltage Section</b>						
Initial Accuracy (VREF)				5.0		
Voltage Stability (VREF)				± 50	± 100	mV
Initial Accuracy (V25)				2.5		
Voltage Stability (V25)				± 25	± 50	mV
Temperature Stability		T <sub>A</sub> = 0°C to 70°C		2	5	mV
Line Regulation		V <sub>DD</sub> = 9V to 15V		0.5		mV
Load Regulation		I <sub>OUT</sub> = 0 to 10mA		5		mV
<b>Under Voltage Lockout Section</b>						
Start Threshold Voltage				6		V
UV Lockout Hysteresis				250		mV
UVLO Delay To Output Enable				62,500		clkcy
<b>Supply Current</b>						
Sleep Current		SLEEP Input = 0V, T <sub>A</sub> = 25°C		30		μA
Operating Current		SLEEP Input = 2V, V <sub>IN</sub> = 15V, No MOSFETs connected		8	11	mA
Sleep to Output Enable				62,500		clkcy
Sleep Threshold			1.45	1.6	1.75	V
<b>Mute Section</b>						
Mute Threshold			1.2	1.35	1.5	V
<b>Output Drivers For N-Channel MOSFETs</b>						
NFET Drivers, Low Level Voltage	V <sub>OL</sub>	I <sub>SINK</sub> = 3mA		30	100	mV
		I <sub>SINK</sub> = 100mA		0.3	1.0	V
NFET Drivers, High Level Voltage	V <sub>OH</sub>	I <sub>SOURCE</sub> = 3mA, C <sub>N</sub> = 5.2V applied externally		30	100	mV
		I <sub>SOURCE</sub> = 100mA, C <sub>N</sub> = 5.2V applied externally		0.3	1.0	V
<b>Output Drivers For P-Channel MOSFETs</b>						
PFET Drivers, Low Level Voltage	V <sub>OL</sub>	I <sub>SINK</sub> = 3mA		30	100	mV
		I <sub>SINK</sub> = 100mA		0.5	1.0	V
PFET Drivers, High Level Voltage	V <sub>OH</sub>	I <sub>SOURCE</sub> = 3mA, C <sub>P</sub> = 5.2V (applied externally)		30	100	mV
		I <sub>SOURCE</sub> = 100mA, C <sub>P</sub> = 5.2V (applied externally)		0.5	1.0	V

Note 2: The LX1721 / 22CDB is guaranteed to meet performance specifications from 0° to 70°C. Specifications over the -20° to 0°C operation temperature range are assured by design, characterization, and statistical process control.

**BLOCK DIAGRAM**

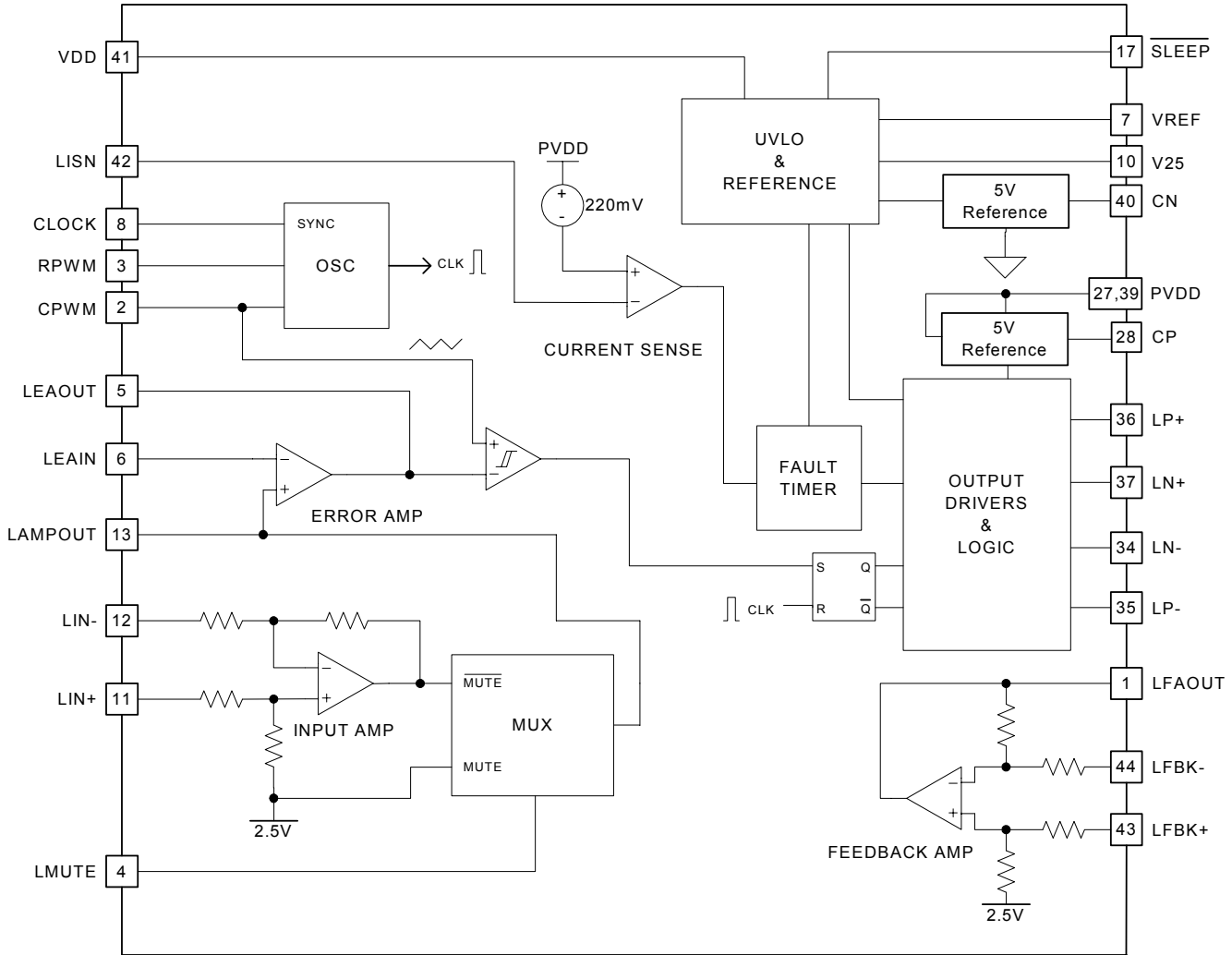


FIGURE 1 – LX1721 / 22 SIMPLIFIED BLOCK DIAGRAM (LEFT CHANNEL CIRCUIT SHOWN)

## APPLICATION INFORMATION

**Frequency Synchronization**

Two or more LX1721 / LX1722 oscillators can be configured for synchronous operation. One unit, the master, is programmed for the desired frequency with the  $R_{PWM}$  and  $C_{PWM}$  as usual. Additional units will be slave units, and their oscillators will be disabled by leaving the  $R_{PWM}$  pin disconnected. The CLOCK pin and the  $C_{PWM}$  pin of the slave units should be tied to the CLOCK pin and the  $C_{PWM}$  pin of the master unit respectively. In this configuration, the CLOCK pins of the slave units begin receiving instead of transmitting clock pulses. Also, the  $C_{PWM}$  pins quit driving the PWM capacitor in the slave units. Note that for optimum performance, all slave units should be located within a few inches of the master unit.

**Oscillator Configuration ( $R_{PWM}$  and  $C_{PWM}$  selection)**

The oscillator is programmed by the external timing components  $R_{PWM}$  and  $C_{PWM}$ . For a nominal frequency of 333kHz,  $R_{PWM}$  and  $C_{PWM}$  should be set to 49.9kOhms and 100pF respectively. Note that in order to keep the slope of the PWM ramp voltage proportional to the supply voltage, both the ramp peak and valley voltages, and the charge and discharge currents are proportional to the supply voltage. This keeps the frequency relatively constant while keeping the slope of the PWM ramp proportional to the voltage on the VDD pin. For operating frequencies other than 333kHz, the frequency can be approximated by the following equation:

$$\text{Frequency} = \frac{1}{(0.577)(R_{PWM})(C_{PWM}) + 320ns}$$

CHARACTERISTIC CURVES

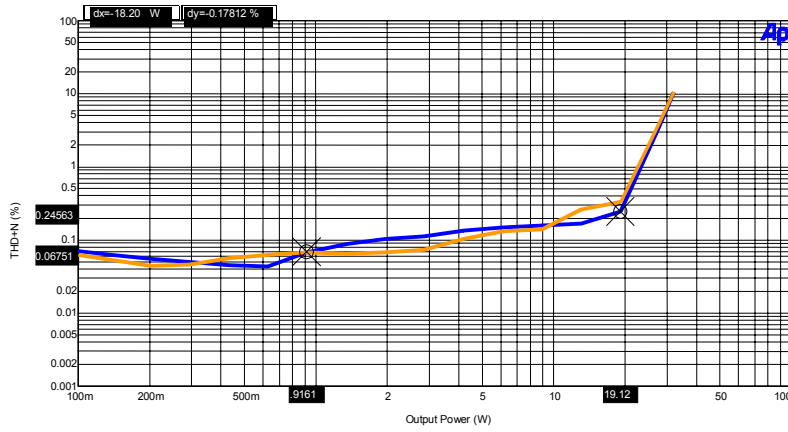


FIGURE 2 – THD+N vs. OUTPUT POWER

$V_{IN} = 15V$   
 $f_{IN} = 1kHz$   
 $R_L = 4\Omega$

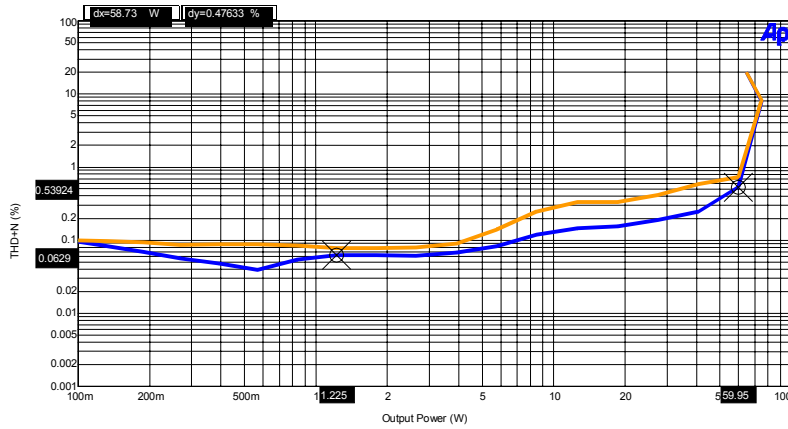


FIGURE 3 – THD+N vs. OUTPUT POWER

$V_{IN} = 25V$   
 $f_{IN} = 1kHz$   
 $R_L = 4\Omega$

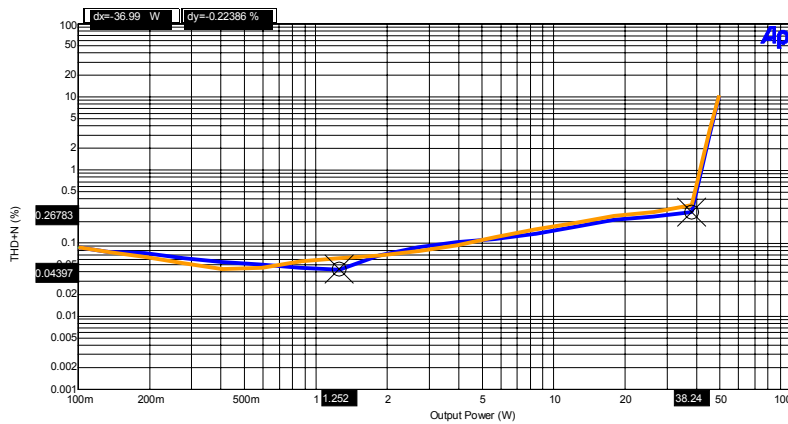


FIGURE 4 – THD+N vs. OUTPUT POWER

$V_{IN} = 15V$   
 $f_{IN} = 1kHz$   
 $R_L = 2\Omega$



CHARACTERISTIC CURVES (CONTINUED)

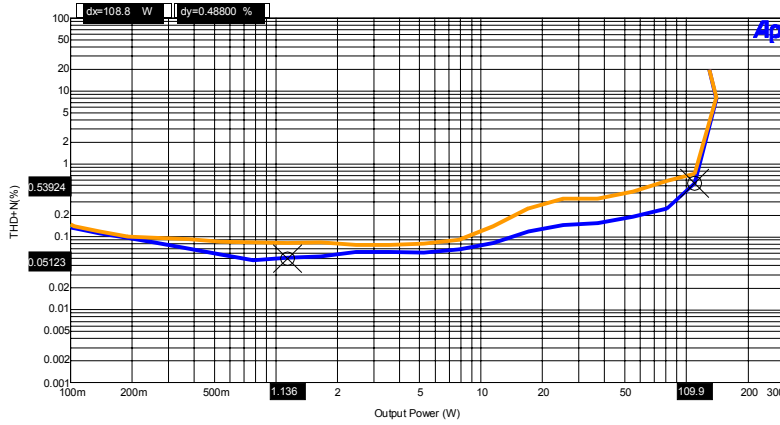


FIGURE 5 – THD+N VS. OUTPUT POWER

$V_{IN} = 25V$   
 $f_{IN} = 1kHz$   
 $R_L = 2\Omega$

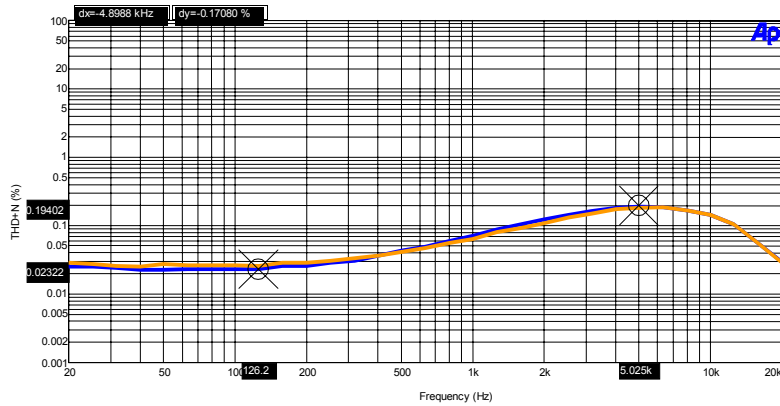


FIGURE 6 – THD+N VS. FREQUENCY

$V_{IN} = 15V$   
 $R_L = 4\Omega$   
 $P_O = 1W_{RMS}$

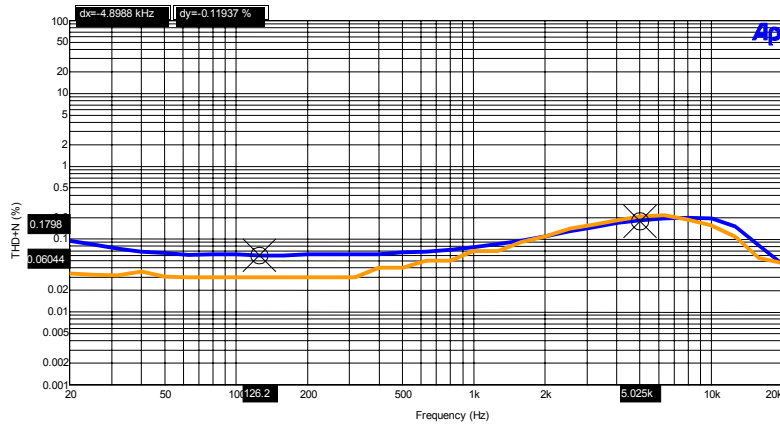


FIGURE 7 – THD+N VS. FREQUENCY

$V_{IN} = 25V$   
 $R_L = 4\Omega$   
 $P_O = 1W_{RMS}$

CHARACTERISTIC CURVES (CONTINUED)

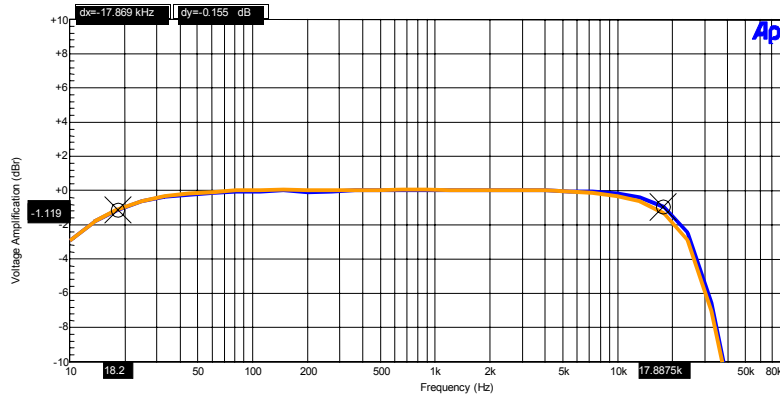


FIGURE 8 – FREQUENCY RESPONSE

$V_{IN} = 15V$   
 $R_L = 4\Omega$   
 $P_O = 1W_{RMS}$

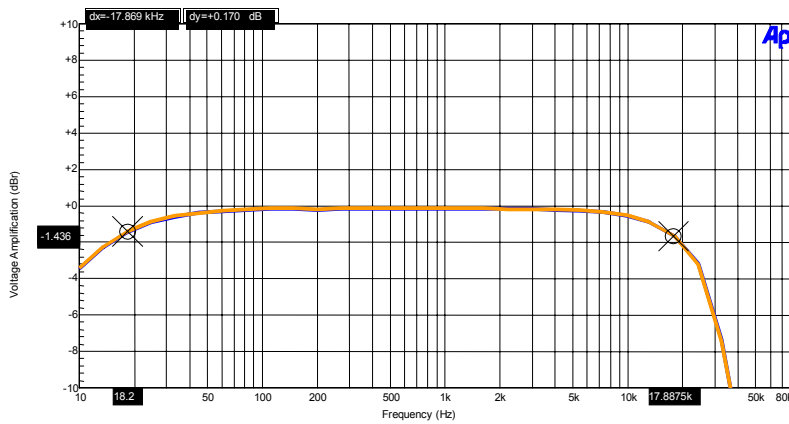


FIGURE 9 – FREQUENCY RESPONSE

$V_{IN} = 25V$   
 $R_L = 4\Omega$   
 $P_O = 1W_{RMS}$

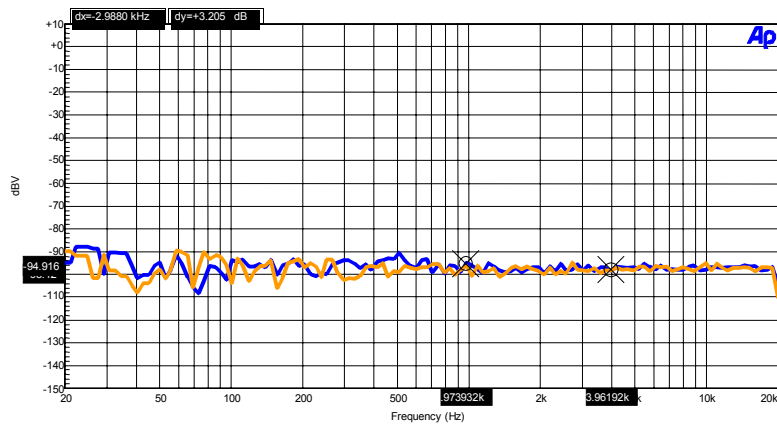


FIGURE 10 – NOISE FLOOR FFT

$V_{IN} = 15V$   
 $R_L = 4\Omega$   
10Hz – 22kHz Bandwidth  
A-weighted

CHARACTERISTIC CURVES (CONTINUED)

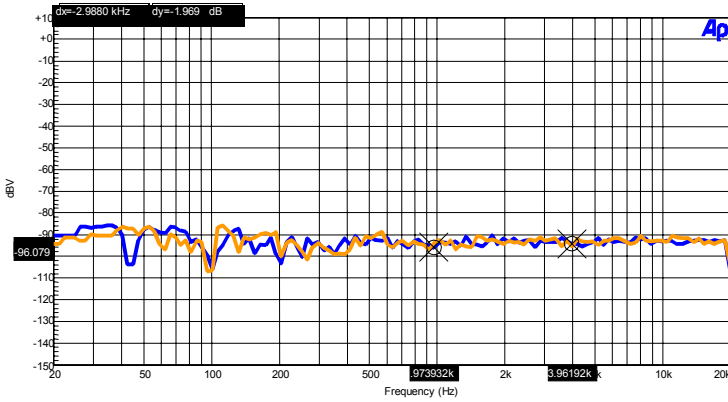


FIGURE 11 – NOISE FLOOR FFT

$V_{IN} = 25V$   
 $R_L = 4\Omega$   
 10Hz – 22kHz Bandwidth  
 A-Weighted

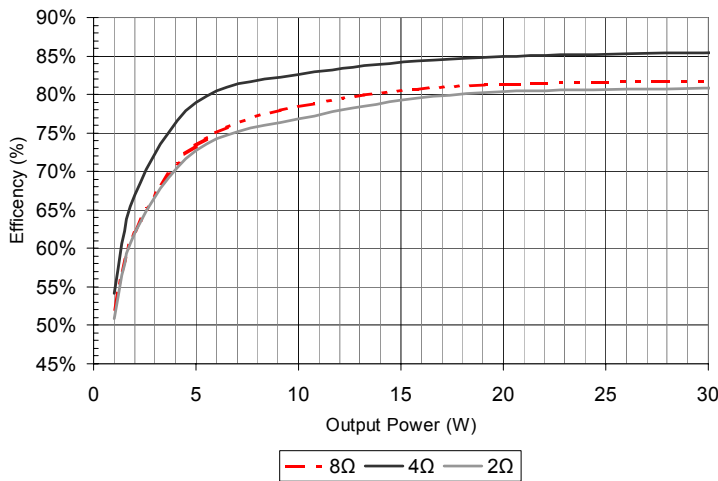


FIGURE 12 – EFFICIENCY VS. OUTPUT POWER

$V_{IN} = 15V$   
 $f_{IN} = 1kHz$

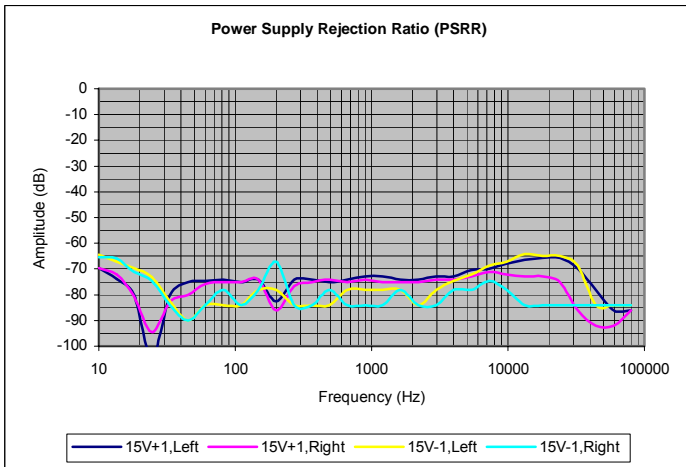


FIGURE 13 – POWER SUPPLY REJECTION RATIO (PSSR)

$P_O = 1W_{RMS}$   
 $R_L = 4\Omega$

APPLICATION

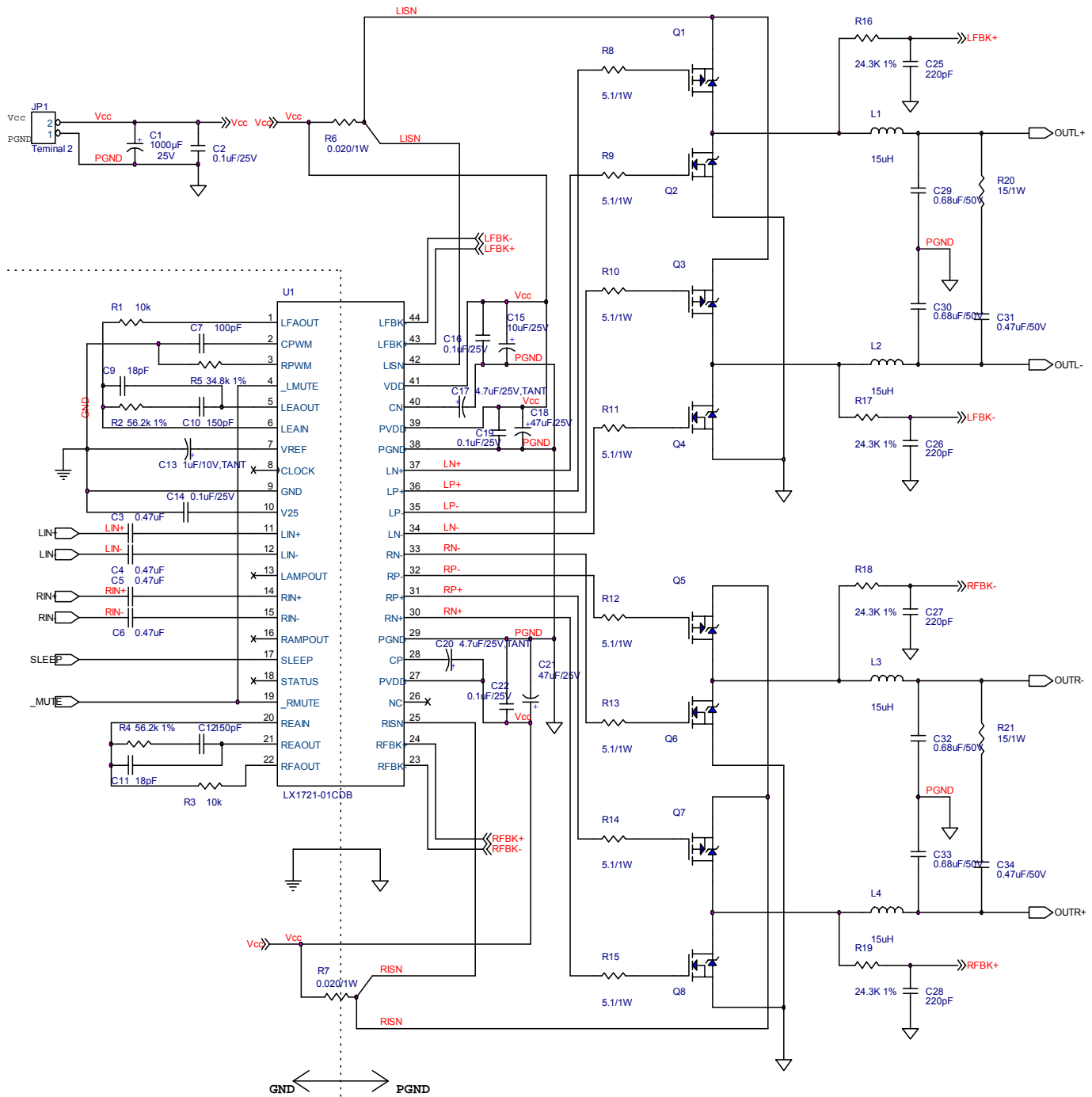
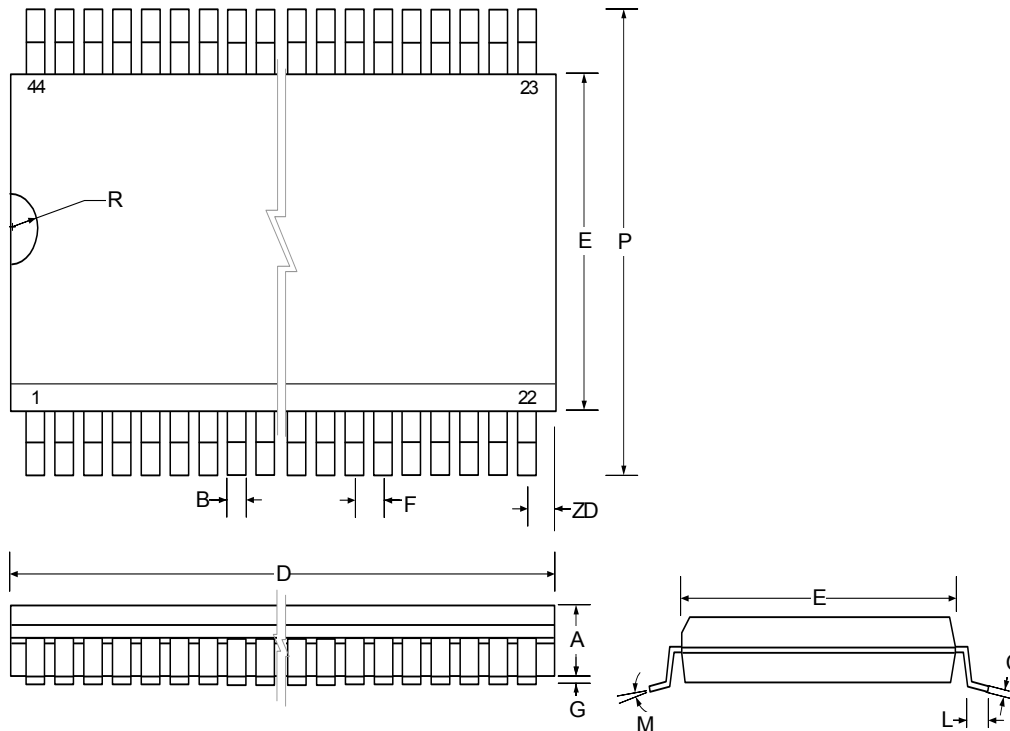


FIGURE 14 – TYPICAL CLASS-D STEREO SWITCHING AMPLIFIER CIRCUIT APPLICATION

**MECHANICAL DIMENSIONS**
**DB 44-Pin Quarter Size Outline Package (QSOP)**


Dim	MILLIMETERS		INCHES	
	MIN	MAX	MIN	MAX
<b>A</b>	2.44	2.64	0.096	0.104
<b>B</b>	0.28	0.51	0.011	0.020
<b>C</b>	0.23	0.32	0.091	0.0125
<b>D</b>	17.73	17.93	0.698	0.706
<b>E</b>	7.40	7.60	0.291	0.299
<b>F</b>	0.80 BSC		0.0315 BSC	
<b>G</b>	0.10	0.30	0.004	0.012
<b>L</b>	0.40	1.27	0.016	0.050
<b>M</b>	0°	8°	0°	8°
<b>P</b>	10.11	10.51	0.396	0.414
<b>R</b>	0.63	0.89	0.025	0.035
<b>ZD</b>	0.51 REF		0.020 REF	
<b>*LC</b>	-	0.10	-	0.004

\* Lead Coplanarity

**Note:** Dimensions do not include mold flash or protrusions; these shall not exceed 0.15mm (.006") on any side. Lead dimension shall not include solder coverage.

NOTES

PRODUCTION DATA – Information contained in this document is proprietary to Microsemi and is current as of publication date. This document may not be modified in any way without the express written consent of Microsemi. Product processing does not necessarily include testing of all parameters. Microsemi reserves the right to change the configuration and performance of the product and to discontinue product at any time.