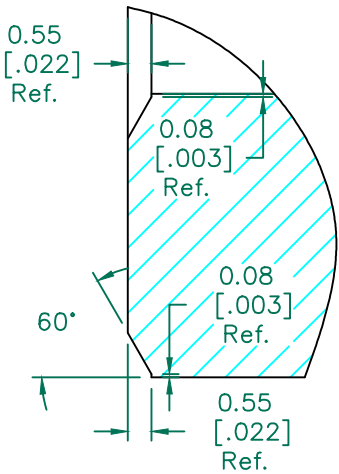


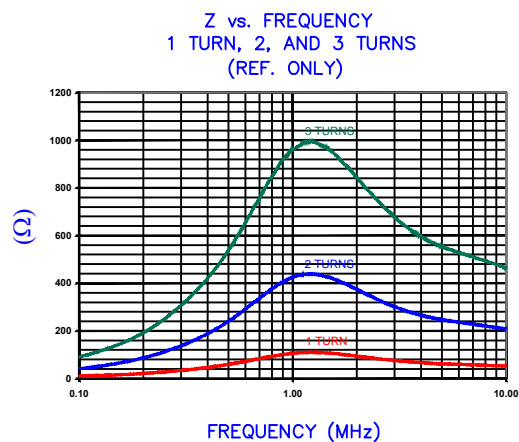
RoHS

SCALE DRAWING 1:1

LFB259128-000



DETAIL "A"
CHAMFER
SCALE=6:1



AGILENT E4991A RF Impedance/Material Analyzer
HP 16092A Test Fixture REF2607

IMPEDANCE (Z) NET^{SEE NOTE 1}

FREQUENCY	500 KHz	1 MHz	5 MHz
NOMINAL (REF.) 1 TURN	61 Ω	106 Ω	62 Ω
MINIMUM (SPEC.) 1 TURN	- Ω	80 Ω	- Ω
NOMINAL (REF.) 2 TURNS	220 Ω	420 Ω	240 Ω
NOMINAL (REF.) 3 TURNS	520 Ω	960 Ω	560 Ω

TEST CRITERIA

METER HP4396A OR EQUIVALENT
 FIXTURE HP16092A OR EQUIVALENT

NOTES:

- NET IMPEDANCE IS IMPEDANCE OF THE FERRITE CORE ONLY. ALL IMPEDANCE CONTRIBUTION FROM TEST WIRE AND FIXTURES HAS BEEN REMOVED.
- COSMETIC SPECIFICATION REFER TO WI-QA-038.

FERRITE CORE DIMENSIONS (SPEC):

A	25.91 [1.020]	± 0.70 [0.028]
B	12.83 [0.505]	± 0.70 [0.028]
C	28.58 [1.125]	± 0.70 [0.028]

WEIGHT/1000 53.78 kgs [118.57 Lbs]

DIMENSIONS ARE IN mm [INCHES].				This print is the property of Laird Tech. and is loaned in confidence subject to return upon request and with the understanding that no copies shall be made without the written consent of Laird Tech. All rights to design or invention are reserved.		Laird		
E	UPDATE TOLERANCE AND DETAIL A	06/12/17	QIU	PROJECT/PART NUMBER:		REV	PART TYPE:	DRAWN BY:
D	UPDATE COMPANY LOGO	07/13/08	TMB	LFB259128-000		E	FERRITE CNZ CORE	TMB
C	REMOVE MIN TOLS @ 500KHz	02/13/06	JRK	DATE:	09/27/02	SCALE:	1.5:1	MATERIAL:
B	UPDATE TOLS. ON DIMENSIONS A,B&C ADD TEST REF TO CURVE	12/22/04	JRK	CAD #	LFB259128-000-E	TOOL #	B1020	LF
A	ORIGINAL DRAFT	09/27/02	TMB					
REV	DESCRIPTION	DATE	INT					