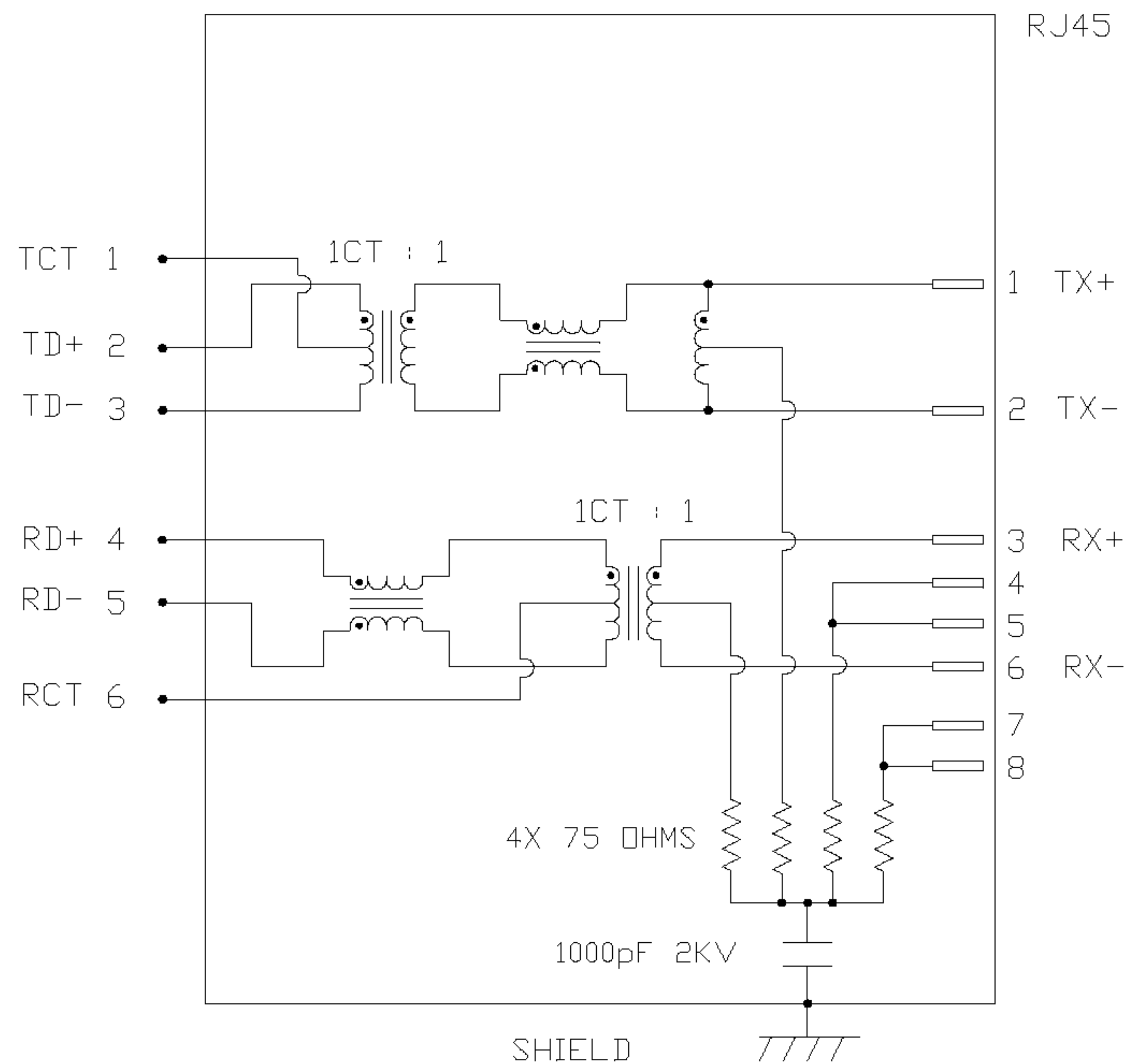


THE INFORMATION CONTAINED HEREIN IS CONSIDERED "PROPRIETARY" TO BEL FUSE INC. AND SHALL NOT BE COPIED, REPRODUCED OR DISCLOSED WITHOUT THE WRITTEN APPROVAL OF BEL FUSE INC.

ELECTRICAL CHARACTERISTICS @ 25°C

TURNS RATIO	
TX	1CT : 1
RX	1CT : 1
OCCL @ 100kHz/100mVRMS	
8mA DC BIAS	350μH MIN.
INS. LOSS	
1MHz TO 100MHz	-1.0 dB MAX
RET. LOSS (MIN)	
1MHz-30MHz	-18 dB
30MHz-60MHz	-18+20LOG(F/30MHz) dB
60MHz-80MHz	-12 dB
CROSS TALK (TX - RX)	
500kHz-1MHz	-70 dB MIN
10 MHz	-50 dB MIN
30 MHz	-45 dB MIN
50 MHz	-40 dB MIN
100 MHz	-35 dB MIN
CM TO CM REJ	
100kHz-1MHz	-70 dB MIN
10 MHz	-47 dB MIN
30 MHz	-42 dB MIN
60 MHz	-37 dB MIN
100 MHz	-30 dB MIN
CM TO DM REJ	
100kHz-1MHz	-70 dB MIN
10 MHz	-60 dB MIN
30 MHz	-50 dB MIN
60 MHz	-45 dB MIN
100 MHz	-40 dB MIN
HIPOT (Isolation Voltage):	
100% OF PRODUCTION TESTED	1500 Vrms
TO COMPLY WITH IEEE 802.3 ISOLATION REQUIREMENTS	

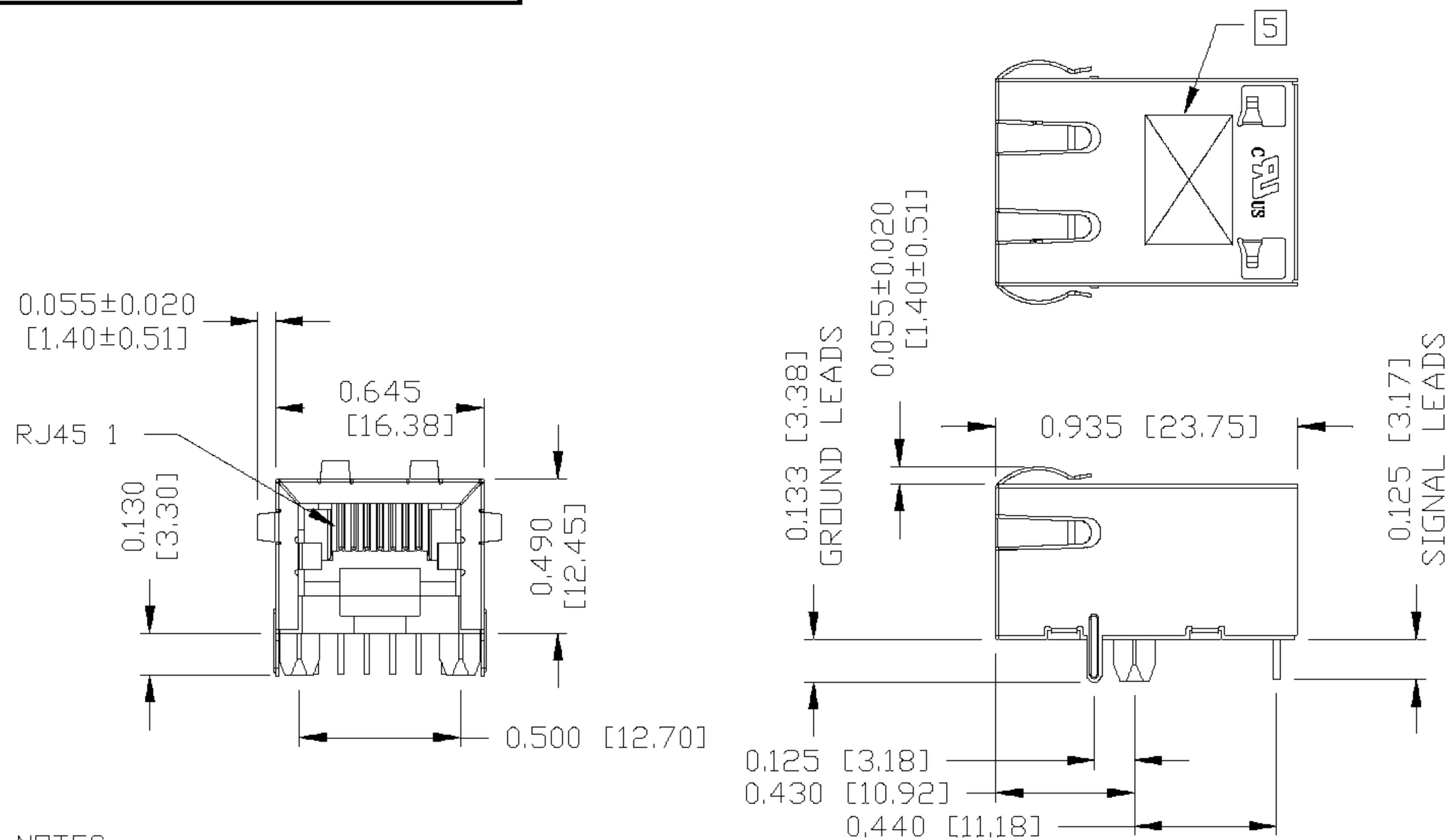
SCHEMATIC



ORIGINATED BY CHUNG	DATE 03-03-07	TITLE LOW PROFILE MagJack®	PART NO. / DRAWING NO. L811-1X1T-03	STANDARD DIM. TOL. IN INCH .X .XX .XXX	[] METRIC DIM. AS REFERENCE UNIT : INCH [mm] SCALE : N/A PAGE : 2	REV. : 1 SIZE : A4	bel COMPONENTS FOR A CONNECTED PLANET
DRAWN BY DE	DATE 03-03-07		FILE NAME L8111X1T03I.DWG				

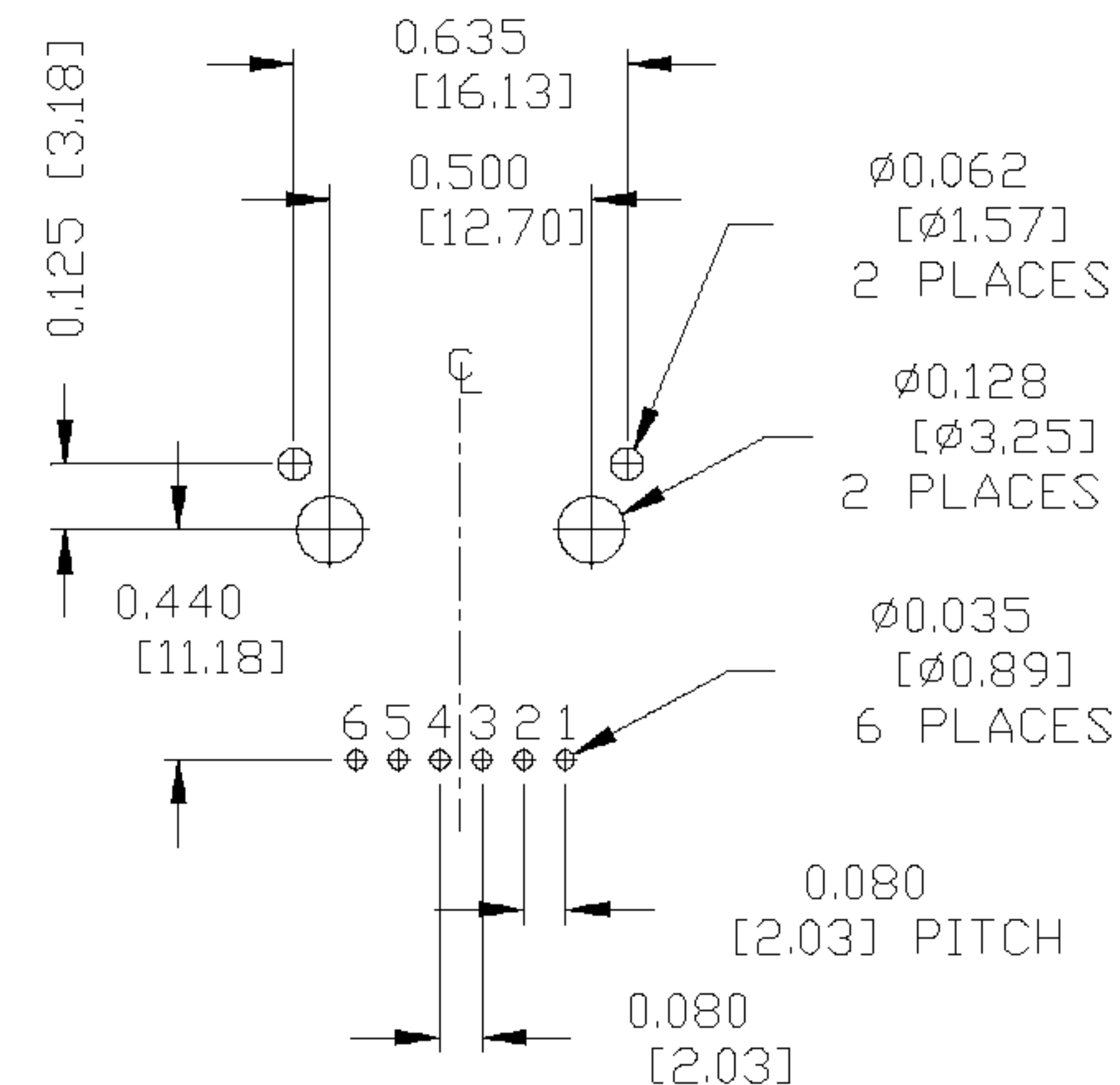
THE INFORMATION CONTAINED HEREIN IS CONSIDERED "PROPRIETARY" TO BEL FUSE INC. AND SHALL NOT BE COPIED, REPRODUCED OR DISCLOSED WITHOUT THE WRITTEN APPROVAL OF BEL FUSE INC.

MECHANICAL SPECIFICATION



RECOMMENDED PCB FOOTPRINT

COMPONENT SIDE VIEW



NOTES:

1. PLASTIC HOUSING: THERMOPLASTIC PBT
FLAMMABILITY RATING UL 94V-0
2. CONTACTS PLATING: 50 MICRO-INCH HARD GOLD PLATING
3. PINS: TIN-COATED COPPER WIRE, DIA 0.018 INCH.
4. METAL SHIELD: NICKEL PLATED ON COPPER ALLOY.
(ALL GROUND LEADS ARE SOLDER DIPPED)
5. MARK PART WITH MFG LOGO, MFG NAME, PART NUMBER, AND DATE CODE.
6. JACK CAVITY CONFORMS TO FCC RULES AND REGULATIONS.

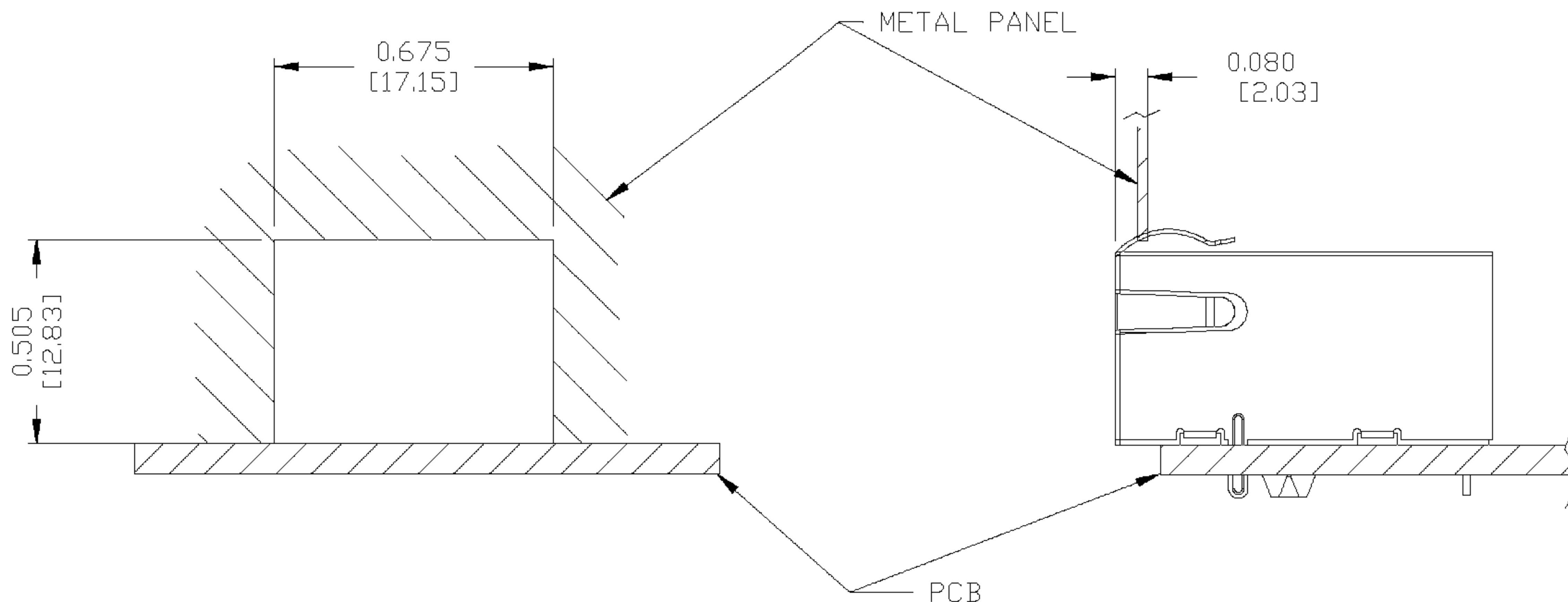
UL RECOGNIZED - FILE #E196366 AND E169987.

ORIGINATED BY CHRIS/BILL	DATE 03-03-07	TITLE LOW PROFILE MagJack®	PART NO. / DRAWING NO. L811-1X1T-03	STANDARD DIM. TOL. IN INCH	[] METRIC DIM. AS REFERENCE	
DRAWN BY SAM	DATE 03-03-07		FILE NAME L8111X1T03I.DWG	.X .XX .XXX	UNIT : INCH [mm] SCALE : N/A	REV. : 1 SIZE : A4 PAGE : 3
				±0.010		



THE INFORMATION CONTAINED HEREIN IS CONSIDERED "PROPRIETARY" TO BEL FUSE INC. AND SHALL NOT BE COPIED, REPRODUCED OR DISCLOSED WITHOUT THE WRITTEN APPROVAL OF BEL FUSE INC.

SUGGESTED PANEL OPENING



NOTE:

THE DISTANCE OF PANEL INSIDE SURFACE RELATIVE TO FRONT SURFACE OF PART IS ONLY A SUGGESTION. IN CASE THIS DISTANCE IS DIFFERENT, THE REQUIRED PANEL OPENING DIMENSIONS CHANGE ACCORDINGLY.

PACKING INFORMATION

PACKING TRAY : 0200-0148-06

PACKING QUANTITY : 70 PCS FINISHED GOODS PER TRAY

12 TRAYS (840 PCS FINISHED GOODS) PER CARTON BOX

NOTE : CARDBOARDS ARE PLACED BETWEEN LAYERS OF PACKING TRAY INSIDE CARTON BOX

(INCLUDE THE UPPERMOST AND LOWERMOST TRAY)

ORIGINATED BY CHRIS/BILL	DATE 03-03-07	TITLE LOW PROFILE MagJack®	PART NO. / DRAWING NO. L811-1X1T-03	STANDARD DIM. TOL. IN INCH	[] METRIC DIM. AS REFERENCE	
DRAWN BY SAM	DATE 03-03-07		FILE NAME L8111X1T03I.DWG	.X .XX .XXX	±0.004	UNIT : INCH [mm]
					SCALE : N/A	SIZE : A4
					PAGE : 4	

