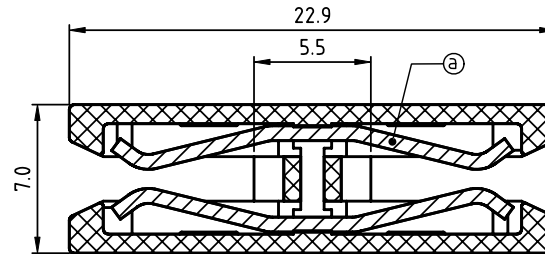
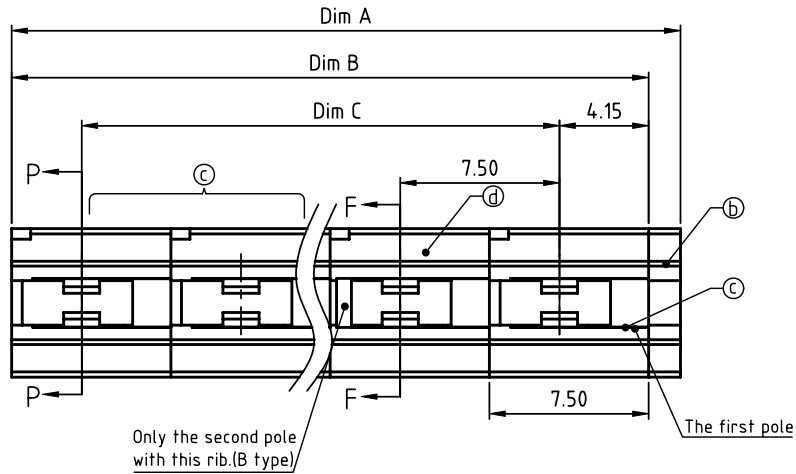
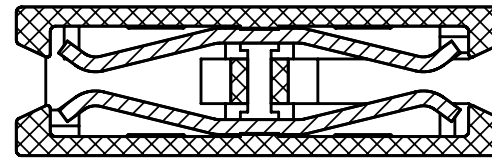


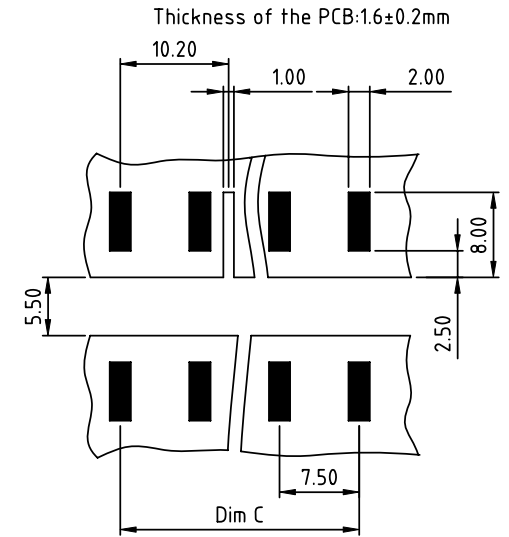
PRODUCT NUMBER	PITCH
KFxxA0x000J0G	7.50 mm



SECTION P-P



SECTION F-F



Material:

- Item a Female contact: PhBz(CuSn), Tin plated
- Item b Terminal Cover: Thermoplastic (UL94V-0)
- Item c Terminal housing: Thermoplastic (UL94V-0)
- Item d Terminal housing (B type): Thermoplastic (UL94V-0)

Electrical cULs

- Voltage rating: 300VAC
- Current rating: 10A
- Withstanding Voltage: 1.6KV
- Operating temperature: -40°C to +115°C

Dimension

Dim A	N×7.5+1.50
Dim B	N×7.5
Dim C	(N-1)×7.5

N=Number of poles

Poles	Tolerance
2p-6p	±0.20
7p-11p	±0.30
12p-16p	±0.40

PART NO.: KF xx A0 x 0 00J0 G

End stackable	0	Color	Black (RAL9005)	RoHS compliant	(lead<4%)
No. of poles	2		Red (RAL3001/D)	In copper Alloy	
02	2 poles	3	Orange(RAL2011/P)		
03	3 poles	4	Yellow(RAL1018/A)		
...	...	5	Green(RAL6018/T)		
16	16 poles	6	Blue (RAL5015/A)		
		8	Grey(RAL7035/D)		
		9	White(RAL1102)		
		C	Green(RAL6018/U)		

mat'l. code		surface ASME Y14.5	tolerance ASME Y14.5	projection	product family
ltr	ecn no	dr	date	tolerances unless otherwise specified	TERMINAL BLOCK
				angles X°±1°	title
				scale	TERMINAL BLOCK
				dr	PCB CONNECTOR,BOARD TO BOARD
				enr	dwg no
				chr	sheet 1 of 1
				appd	size
					KFxxA0x000J0G
					A4
					type
					CUSTOMER Drawing
sheet index	revision sheet	A	1		