



Chipsmall Limited consists of a professional team with an average of over 10 year of expertise in the distribution of electronic components. Based in Hongkong, we have already established firm and mutual-benefit business relationships with customers from,Europe,America and south Asia,supplying obsolete and hard-to-find components to meet their specific needs.

With the principle of “Quality Parts,Customers Priority,Honest Operation,and Considerate Service”,our business mainly focus on the distribution of electronic components. Line cards we deal with include Microchip,ALPS,ROHM,Xilinx,Pulse,ON,Everlight and Freescale. Main products comprise IC,Modules,Potentiometer,IC Socket,Relay,Connector.Our parts cover such applications as commercial,industrial, and automotives areas.

We are looking forward to setting up business relationship with you and hope to provide you with the best service and solution. Let us make a better world for our industry!



## Contact us

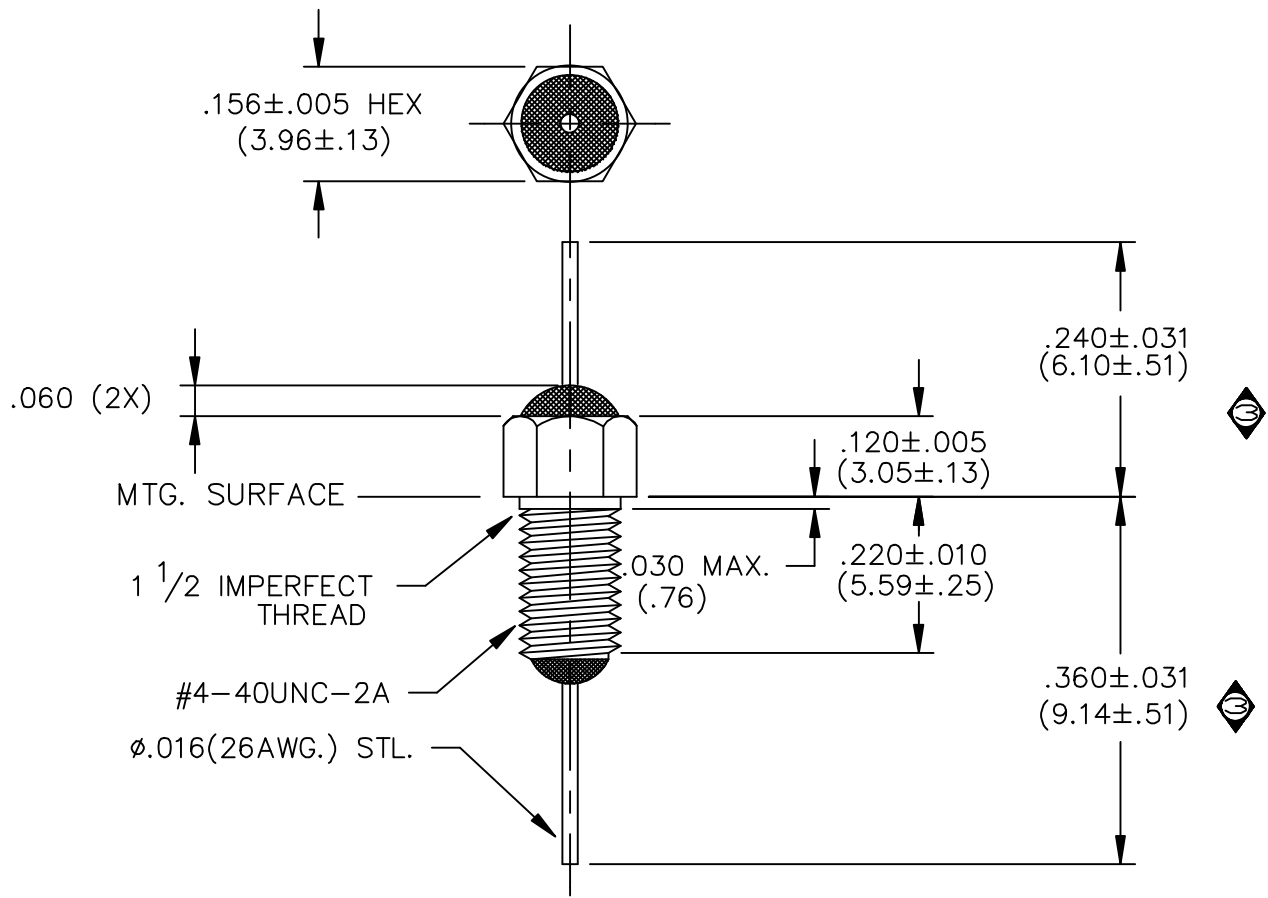
Tel: +86-755-8981 8866 Fax: +86-755-8427 6832

Email & Skype: info@chipsmall.com Web: www.chipsmall.com

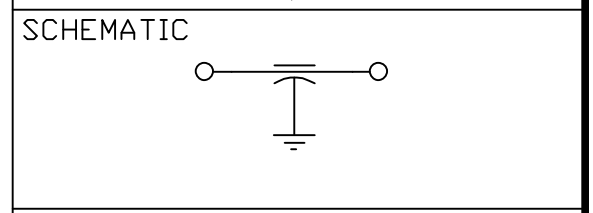
Address: A1208, Overseas Decoration Building, #122 Zhenhua RD., Futian, Shenzhen, China



NOTES:  
1. HARDWARE IS INCLUDED.



LEAD FINISH:	SOLDER
BUSHING FINISH:	SILVER
CAPACITANCE	.05 $\mu$ F GMV
TEMP. RANGE	-55°C TO 125°C
CURRENT	5 AMP MAX.
WORKING VOLTAGE	85°C N/A VDC MAX. 125°C 100 VDC MAX.
D.C. RESISTANCE	.01ohms MAX.
MIN. I.L. PER MIL-STD-220 AT 25°C NO LOAD	
FREQ. MHz	I.L. (db)
1	--
10	--
100	--
1 GHz	--
10 GHz	--



MARKING:  
PART: S 503  
BAG:  
SCI-9112-503  
DATE CODE  
LOT NO.  
QTY/BAG (200 MAX.)

					REV. NO.	TOLERANCES UNLESS OTHERWISE SPECIFIED
			03	02	01	Fractions $\pm$ 1/64
			CN. 195935	CN. 192061	CN. 169190	Dec. .xx $\pm$
						Dec. .xxx $\pm$ .031
						Angles $\pm$ 0° 30'
					CHANGE NOTICE	CODE IDENT. NO. DLSP2

ERIE, FAIRVIEW PENNSYLVANIA  
SPECTRUM CONTROL INC.

Dwn. KAUFFMAN	Description FT
Ckd. 3-25-96	RESIN SEAL FILTER
Apvd.	SCI-9112-503
Scale NONE	