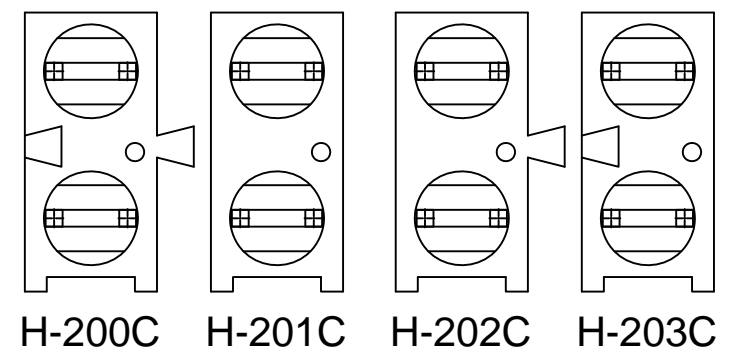
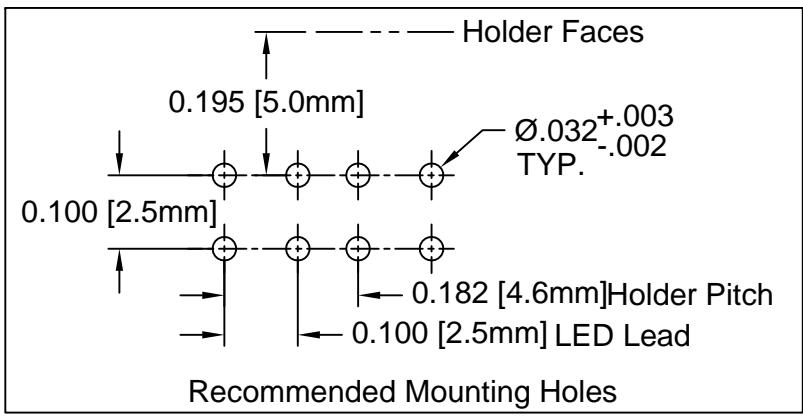
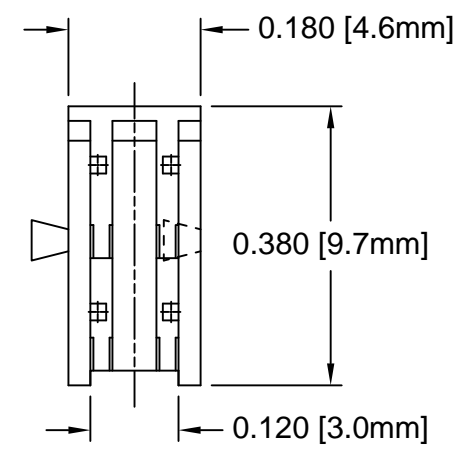
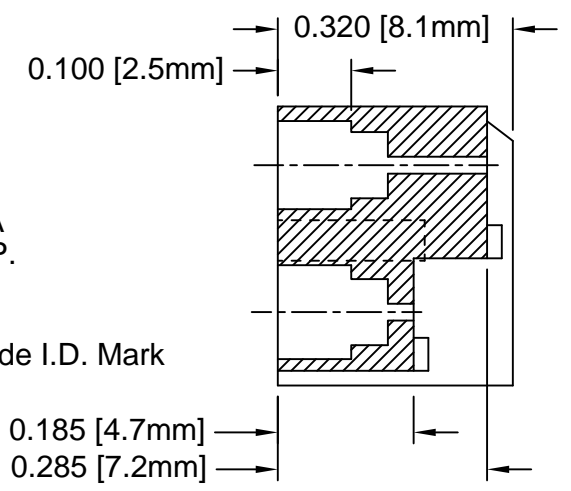
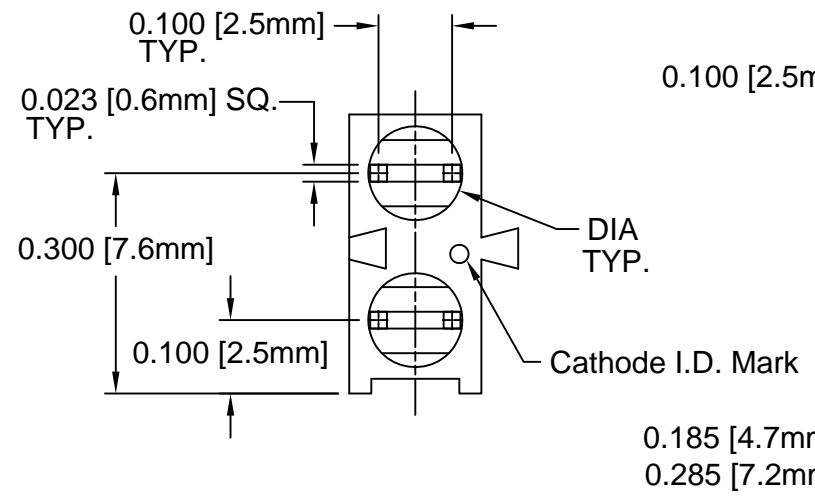

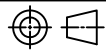


REV.	DESCRIPTION	DATE	APPROVED
B	Engineering Update w/o Changes	02/27/04	M. C.
C	Removed Material Code	05/28/16	J. C.



PART NO.				DIA
H-200C SERIES	H-201C SERIES	H-202C SERIES	H-203C SERIES	
H-200C	H-201C	H-202C	H-203C	.128 [3.3mm]
H-200C-1	H-201C-1	H-202C-1	H-203C-1	.150 [3.8mm]

STANDARD TOLERANCE (UNLESS OTHERWISE SPECIFIED)		 4 THOMAS, IRVINE, CA. 92618 TEL: (949) 951-8808 FAX: (949) 951-3974	
DECIMALS	ANGULAR		
.X ± .1	X° ± 1°	 TITLE: BI-LEVEL T-1 (3mm) LED HOLDER INTERLOCKING VARIABLE DIAMETER	
.XX ± .01			PART NO: H-20XC-X
.XXX ± .005			REVISION: C
DESIGNED: D. Green	DATE: 03/13/03	CAGE CODE : 32559 SHEET # 1 OF 1	
CHECKED: M. Chen	DATE: 03/13/03	CAD GENERATED DOCUMENT. DO NOT MEASURE DRAWING.	

- 2. MATERIAL: NYLON 6/6, 94V-0, BLACK.
- 1. GENERAL SPECIFICATIONS: BIVAR MOLDED COMPONENT SPECIFICATION BV00-E101.