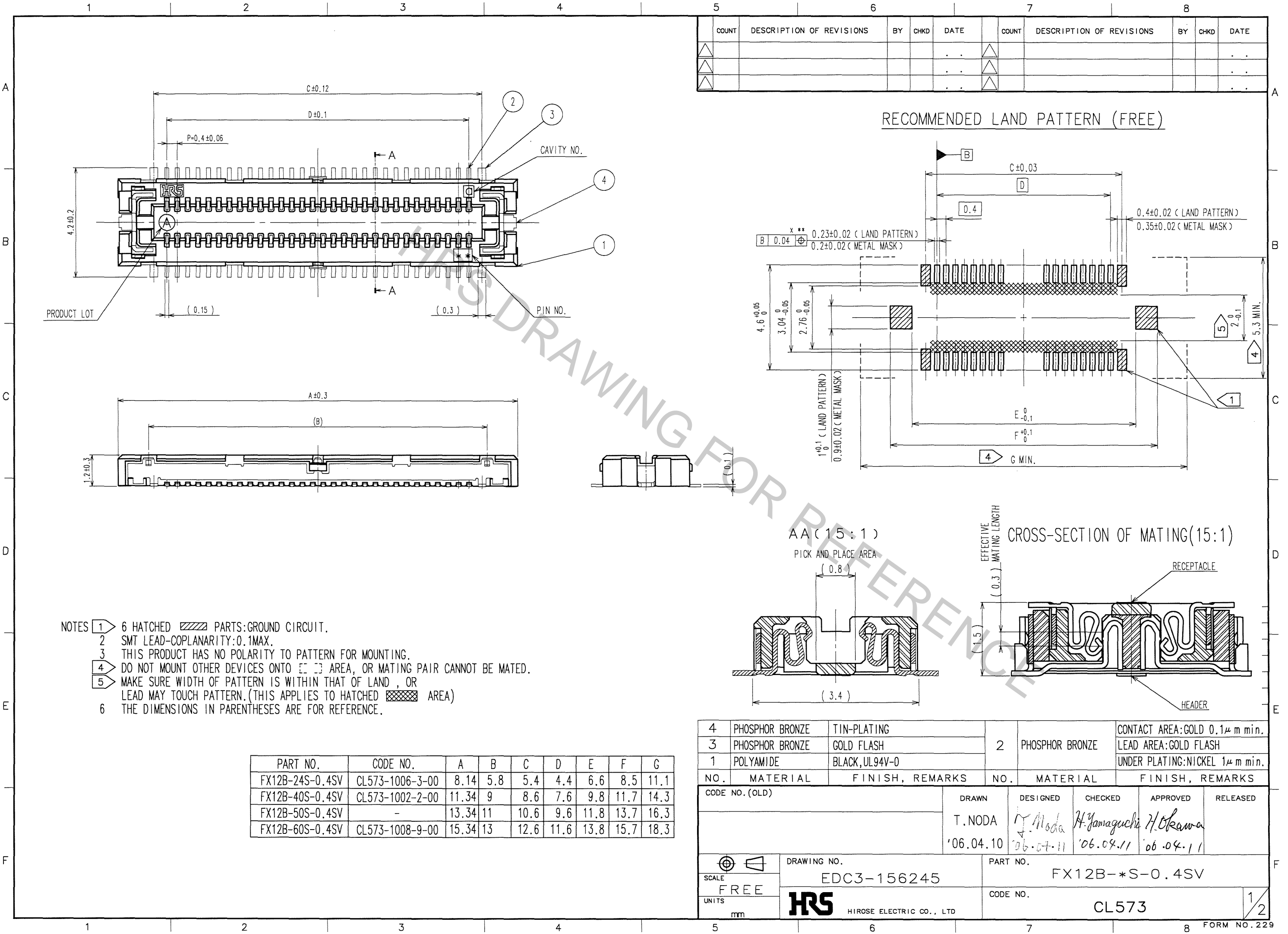


Apr.1.2017 Copyright 2017 HIROSE ELECTRIC CO., LTD. All Rights Reserved.



| COUNT | DESCRIPTION OF REVISIONS | BY | CHKD | DATE | COUNT | DESCRIPTION OF REVISIONS | BY | CHKD | DATE |
|-------|--------------------------|----|------|------|-------|--------------------------|----|------|------|
|       |                          |    |      |      |       |                          |    |      |      |
|       |                          |    |      |      |       |                          |    |      |      |
|       |                          |    |      |      |       |                          |    |      |      |

- NOTES
- 1 6 HATCHED PARTS:GROUND CIRCUIT.
  - 2 SMT LEAD-COPLANARITY:0.1MAX.
  - 3 THIS PRODUCT HAS NO POLARITY TO PATTERN FOR MOUNTING.
  - 4 DO NOT MOUNT OTHER DEVICES ONTO AREA, OR MATING PAIR CANNOT BE MATED.
  - 5 MAKE SURE WIDTH OF PATTERN IS WITHIN THAT OF LAND, OR LEAD MAY TOUCH PATTERN.(THIS APPLIES TO HATCHED AREA)
  - 6 THE DIMENSIONS IN PARENTHESES ARE FOR REFERENCE.

| PART NO.        | CODE NO.        | A     | B   | C    | D    | E    | F    | G    |
|-----------------|-----------------|-------|-----|------|------|------|------|------|
| FX12B-24S-0.4SV | CL573-1006-3-00 | 8.14  | 5.8 | 5.4  | 4.4  | 6.6  | 8.5  | 11.1 |
| FX12B-40S-0.4SV | CL573-1002-2-00 | 11.34 | 9   | 8.6  | 7.6  | 9.8  | 11.7 | 14.3 |
| FX12B-50S-0.4SV | -               | 13.34 | 11  | 10.6 | 9.6  | 11.8 | 13.7 | 16.3 |
| FX12B-60S-0.4SV | CL573-1008-9-00 | 15.34 | 13  | 12.6 | 11.6 | 13.8 | 15.7 | 18.3 |

| NO. | MATERIAL        | FINISH, REMARKS | NO. | MATERIAL        | FINISH, REMARKS                |
|-----|-----------------|-----------------|-----|-----------------|--------------------------------|
| 4   | PHOSPHOR BRONZE | TIN-PLATING     | 2   | PHOSPHOR BRONZE | CONTACT AREA:GOLD 0.1μ m min.  |
| 3   | PHOSPHOR BRONZE | GOLD FLASH      |     |                 | LEAD AREA:GOLD FLASH           |
| 1   | POLYAMIDE       | BLACK,UL94V-0   |     |                 | UNDER PLATING:NICKEL 1μ m min. |

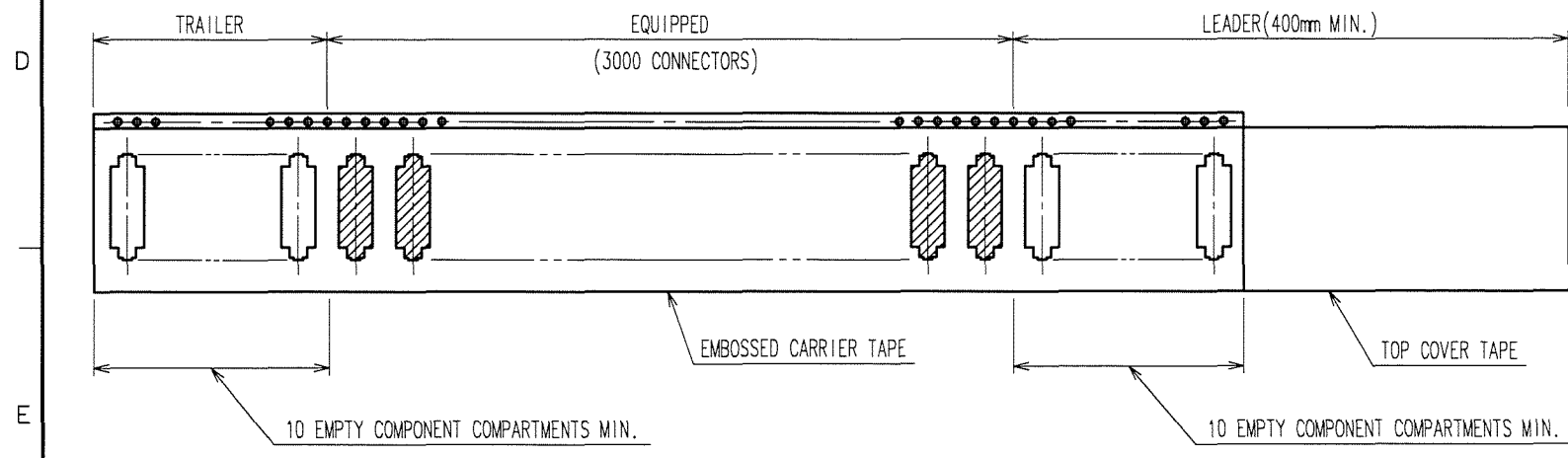
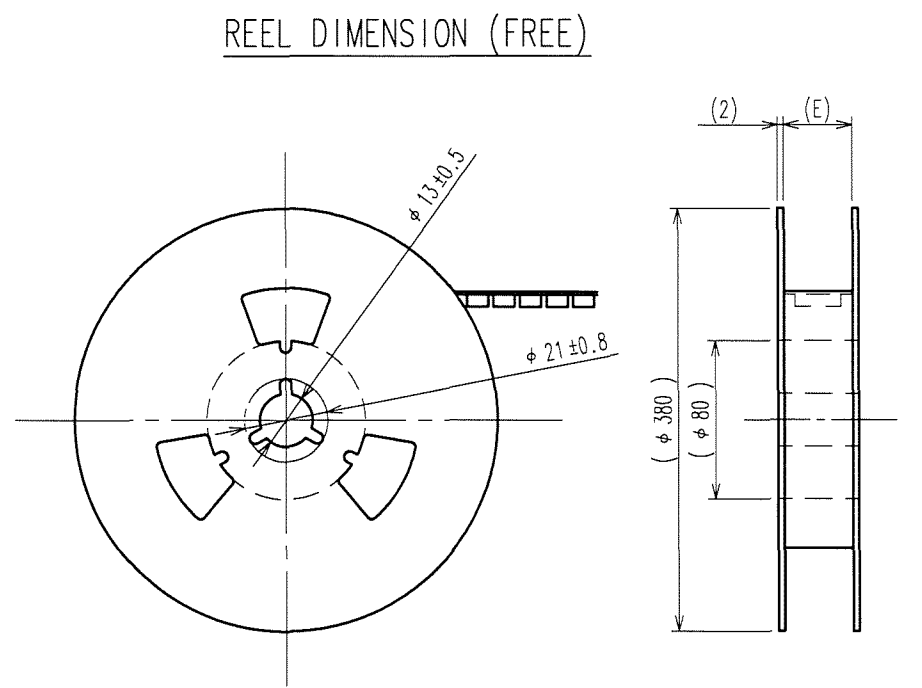
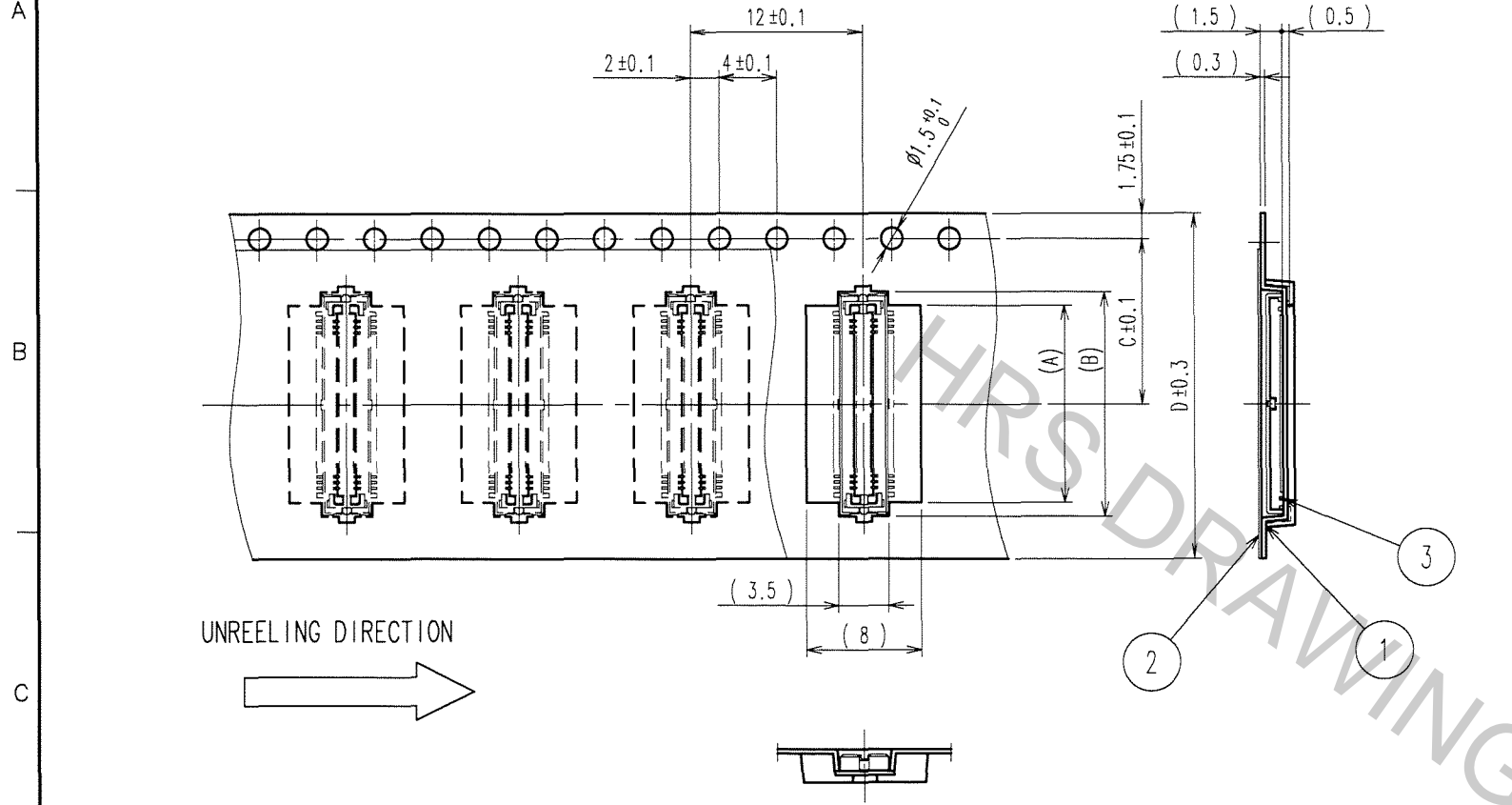
|                |           |               |                    |                |          |
|----------------|-----------|---------------|--------------------|----------------|----------|
| CODE NO. (OLD) | DRAWN     | DESIGNED      | CHECKED            | APPROVED       | RELEASED |
|                | T.NODA    | <i>T.Noda</i> | <i>H.Yamaguchi</i> | <i>H.Okawa</i> |          |
|                | '06.04.10 | '06.07.11     | '06.07.11          | '06.07.11      |          |

|       |                          |                |
|-------|--------------------------|----------------|
| SCALE | DRAWING NO.              | PART NO.       |
| FREE  | EDC3-156245              | FX12B-*S-0.4SV |
| UNITS | HIROSE ELECTRIC CO., LTD | CODE NO.       |
| mm    |                          | CL573          |

TO

Apr.1.2017 Copyright 2017 HIROSE ELECTRIC CO., LTD. All Rights Reserved.

| COUNT | DESCRIPTION OF REVISIONS | BY | CHKD | DATE | COUNT | DESCRIPTION OF REVISIONS | BY | CHKD | DATE |
|-------|--------------------------|----|------|------|-------|--------------------------|----|------|------|
|       |                          |    |      |      |       |                          |    |      |      |
|       |                          |    |      |      |       |                          |    |      |      |
|       |                          |    |      |      |       |                          |    |      |      |



| PART NO.        | CODE NO.        | A    | B    | C    | D  | E    |
|-----------------|-----------------|------|------|------|----|------|
| FX12B-24S-0.4SV | CL573-1006-3-00 | 6.5  | 8.4  | 11.5 | 24 | 24.4 |
| FX12B-40S-0.4SV | CL573-1002-2-00 | 9.7  | 11.6 | 11.5 | 24 | 24.4 |
| FX12B-50S-0.4SV |                 | 11.7 | 13.6 | 11.5 | 24 | 24.4 |
| FX12B-60S-0.4SV | CL573-1008-9-00 | 13.7 | 15.6 | 11.5 | 24 | 24.4 |

|   |             |                         |
|---|-------------|-------------------------|
| 3 |             | (CONNECTOR)             |
| 2 | POLYESTER   | (TOP COVER TAPE)        |
| 1 | POLYSTYRENE | (EMBOSSED CARRIER TAPE) |

NOTE 1. 1 REEL : 3000 CONNECTORS.  
 2. THE DIMENSIONS IN PARENTHESES ARE FOR REFERENCE.

|    |
|----|
| TO |
|    |
|    |
|    |

| NO. | MATERIAL | FINISH, REMARKS | NO. | MATERIAL | FINISH, REMARKS |
|-----|----------|-----------------|-----|----------|-----------------|
|     |          |                 |     |          |                 |

|                |           |           |              |           |          |
|----------------|-----------|-----------|--------------|-----------|----------|
| CODE NO. (OLD) | DRAWN     | DESIGNED  | CHECKED      | APPROVED  | RELEASED |
|                | T.NODA    | T.Noda    | H. Yamaguchi | H. Okawa  |          |
|                | '06.04.10 | '06.04.11 | '06.04.11    | '06.04.11 |          |

|       |                          |                |
|-------|--------------------------|----------------|
| SCALE | DRAWING NO.              | PART NO.       |
| 2 : 1 | EDC3-156245              | FX12B-*S-0.4SV |
| UNITS | HIROSE ELECTRIC CO., LTD | CODE NO.       |
| mm    |                          | CL573          |