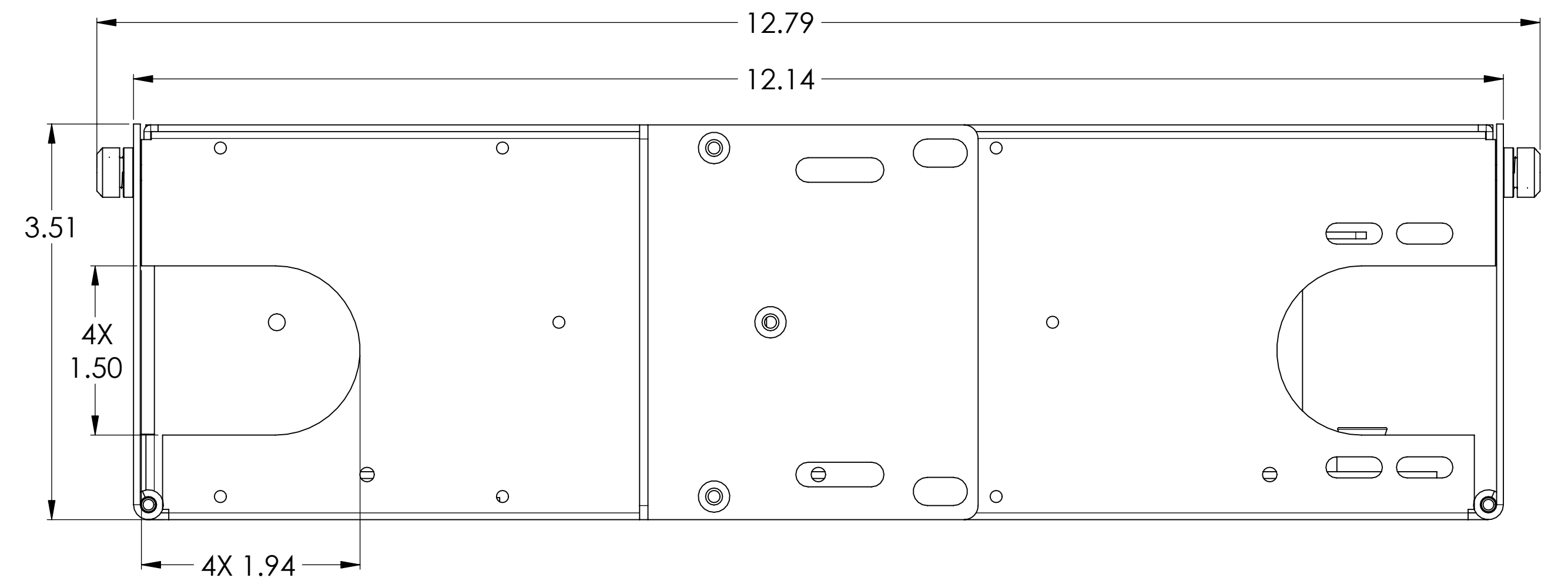


OPTIONAL BRACKET  
MOUNTING POSITIONS



INVENTORS

**HellermannTyton.**

ALL PROPRIETARY RIGHTS IN THE SUBJECT MATTER SHOWN ON THIS DRAWING ARE EXCLUSIVE PROPERTY OF HELLERMANN TYTON

name date city state

NOTES

REVISIONS

level	01
by	AAC
date	11/15/2006
ECN #	010551
part level	-

DIMENSIONS

.XXXX = ±.0005  
.XXX = ±.005  
.XX = ±.01  
.X = ±.03  
∠ = ±0.5°  
unless otherwise specified  
units inches

PART

number	FERM36S	phase	Production
name	2U FIBER OPTIC SPLICER BOX		
material	STEEL 0.06 THICK		

DRAWING

format	D	SW 2006	scale	12:1
version	N			
computer file number	F3001003CST_01	previous number		
drawn	AAC	checked	KAC	approved
date	11/15/2006	checked	11/15/2006	approved
type	Customer			sheet 1 of 1
number	F3001003CST			