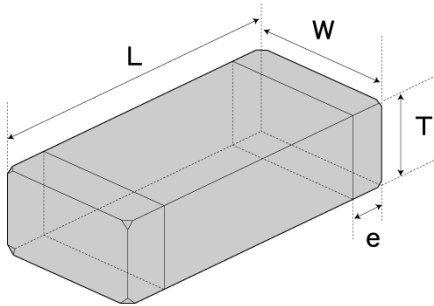


Spec Sheet

Chip Bead Power Inductors for Automotive / Industrial Applications (FB series M type)[FBMH]

FBMH1608HL121-TV



■ Features

- Item Summary
120 Ω , 1.2 A, 0603/1608 (EIA/JIS)
- Lifecycle Stage
Mass Production
- AEC-Q200 qualified
- Standard packaging quantity (minimum)
Taping paper 4000pcs

■ Products characteristics table

Impedance [100MHz]	120 Ω \pm 25 %
Impedance [1GHz]	540 Ω \pm 40 %
Case Size (EIA/JIS)	0603/1608
Rated Current (max)	1.2 A
DC Resistance (max)	0.13 Ω
Z Measuring Frequency	100 MHz
Operating Temp. Range	-40 to +125 $^{\circ}$ C (Including-self-generated heat)
RoHS2 Compliance (10 subst.)	Yes
REACH Compliance (173 subst.)	Yes
Halogen Free	Yes
Soldering	Reflow/Wave

■ External Dimensions

Dimension L	1.6 \pm 0.1 mm
Dimension W	0.8 \pm 0.1 mm
Dimension T	0.8 \pm 0.1 mm
Dimension e	0.3 \pm 0.15 mm

2017.04.30

The data is reference only. Electrical characteristics vary depending on environment or measurement condition.
TAIYO YUDEN reserves the right to make change to the Date at any time without notice.
Before making final selection, please check product specification.