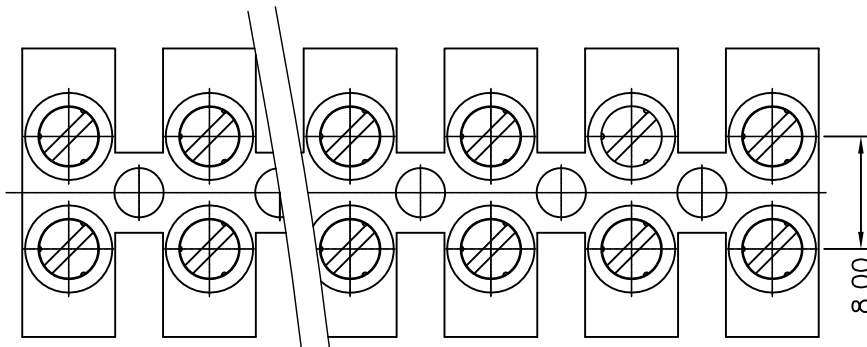
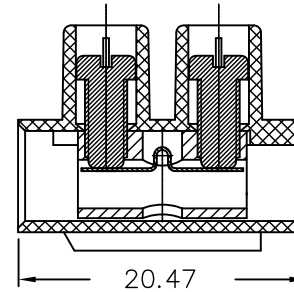
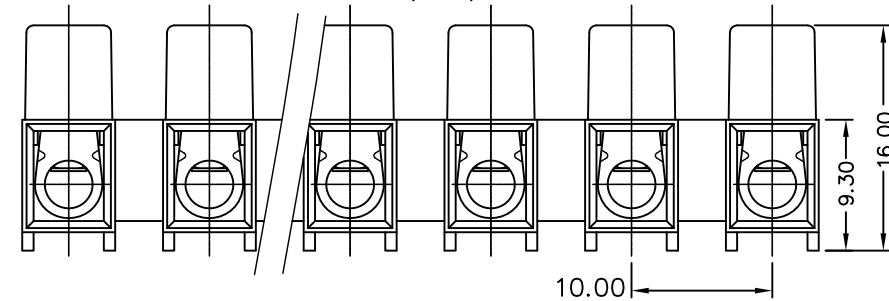
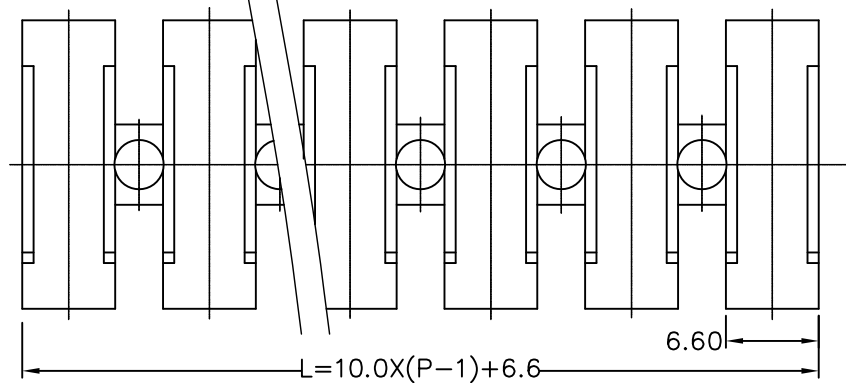


SIGN	DATE	DESCRIPTION	APPROVER
<i>THIS IS CAD DRAWING, DO NOT REVISE MANUALLY!!!</i>			

NOTES:

1. Rating: 300V 20A (UL);
2. Insulation Withstanding Voltage: AC2000V/MIN
3. Insulation Resistance: $\geq 500M\Omega$ or more at DC500V
4. Temperature Range: $-33^{\circ}C/+105^{\circ}C$
5. Screw Torque Value: 4.5 lbf-in (UL)
6. Suitable Electric Wire: 12-20AWG
8. Housing: Nylon PA66
9. Screw M3, Steel, Zinc Plated
10. Standard Color: Natural

RoHS Compliant



DIM	P	2	3	4	5	6	7	8	9	10	11	12
L	16.6	26.6	36.6	46.6	56.6	66.6	76.6	86.6	96.6	106.6	116.6	
TOL (±)	0.08	0.12	0.16	0.20	0.24	0.28	0.32	0.36	0.40	0.44	0.48	

THESE DRAWINGS AND SPECIFICATIONS ARE THE PROPERTY OF ON-SHORE TECHNOLOGY, INC. AND SHALL NOT BE REPRODUCED, COPIED OR USED IN ANY MANNER WITHOUT THE PRIOR WRITTEN CONSENT OF ON-SHORE TECHNOLOGY, INC.



TITLE		ES1000 Series - 10.0mm Euro Strip, Wire guard, flat base					
PART NO.	ES1000/XXDSFB	DCX - number of poles per row		DWG NO.	ES1000/XXDSFB.DWG		
APPROVED	CHECKED	DESIGNED	DRAWN	5020		Tolerance	
KSZ 2007.08.01	KSZ 2007.08.01	KSZ 2007.08.01	KSZ 2007.08.01			UNIT: mm	.X ±015
				SHEET: 01/01		SCALE: NONE	.XX ±0.075
						REV: A	.XXX ±0.05