

To _____

No. A201-040403B-01

Date 3rd Apr. '04

Type No.
GRBA1

Data Sheet

GPS Rx SAW Filter	
Application	: Rx Filter for GPS
Center Frequency	: 1575.42MHz
Size	: 2.0x1.6mm, 4pin-layout
Impedance	: 50-50ohms unbalance-unbalance
Part No.	: EFCH1575TCB1

Issued *Y. Watanabe*

Check *K. Nishimura*

CIRCUIT COMPONENTS BUSINESS UNIT

MATSUSHITA ELECTRONIC COMPONENTS CO.,LTD

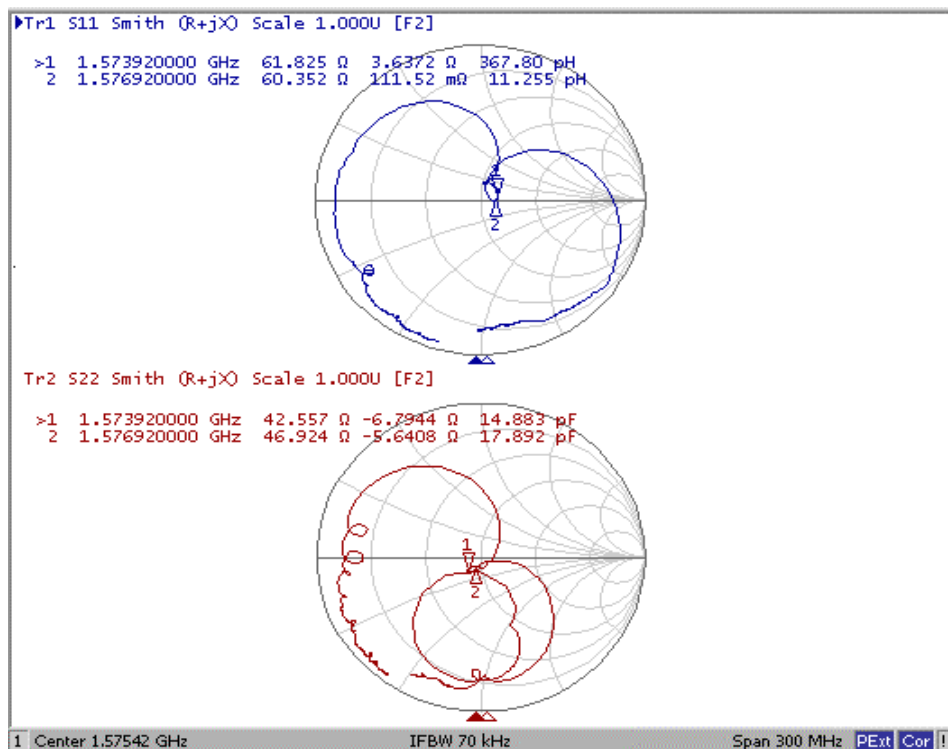
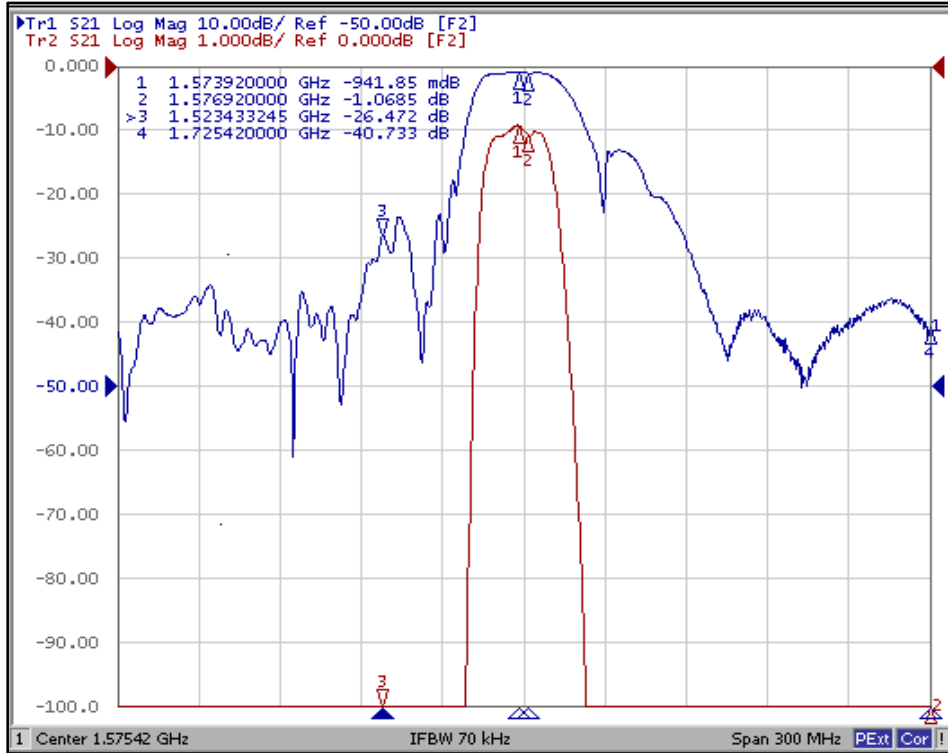
KADOMA, OSAKA, JAPAN

GPS RF SAW Filter, 1575.42MHz
Design No. duuw001R
== Preliminary Specification ==

Parameter		Frequency (Comments)	Your requirements			Our Spec.			unit
			min	Typ	max	min	Typ	max	
Center Frequency		Fo					1575.42		MHz
Insertion Loss		Fo±1.5MHz					1.15	1.35	dB
Ripple in Passband		Fo±1.5MHz					0.1	0.2	dB
Attenuation	ATT1	810-960 MHz				30	37		dB
	ATT2	1354-1357 MHz				35	41		dB
	ATT3	1429-1525 MHz				23	27		dB
VSWR		Fo±1.5MHz					1.2	1.5	
Operating Temperature						-30	25	80	°C
Terminate impedance							50		ohm

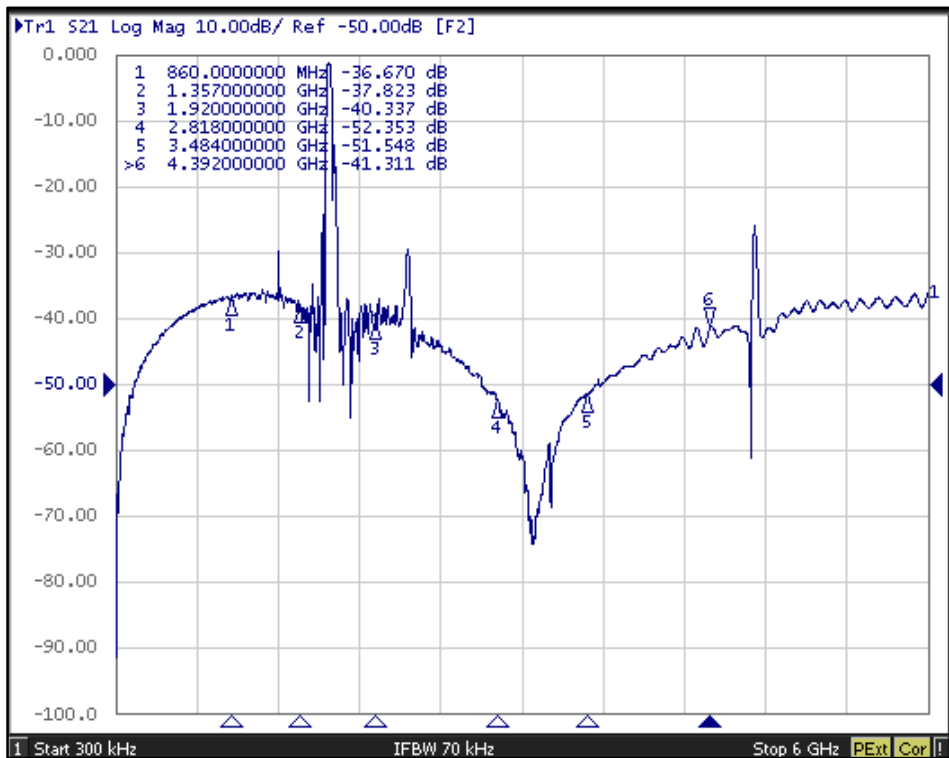
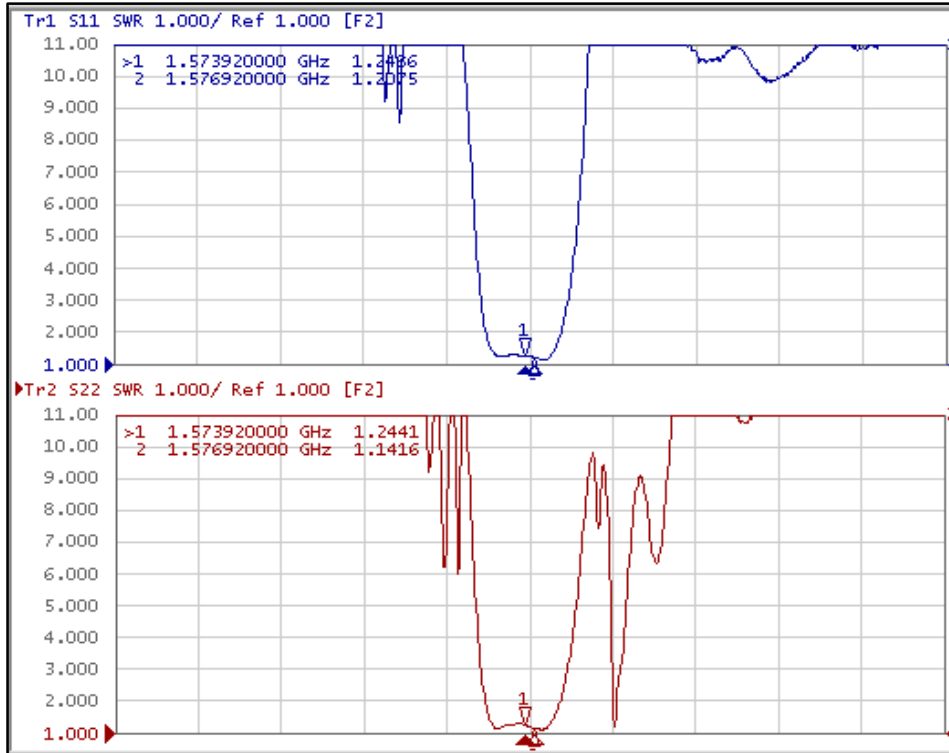
GPS Rx SAW Filter

Design No duuw001R



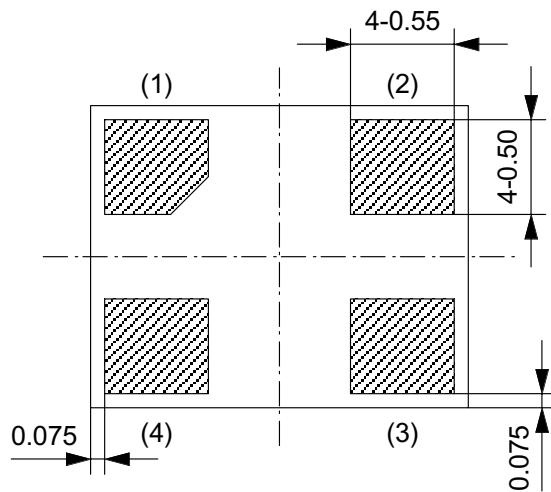
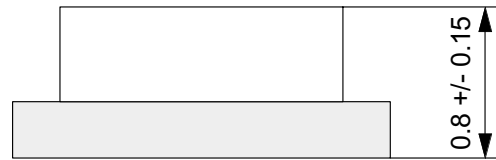
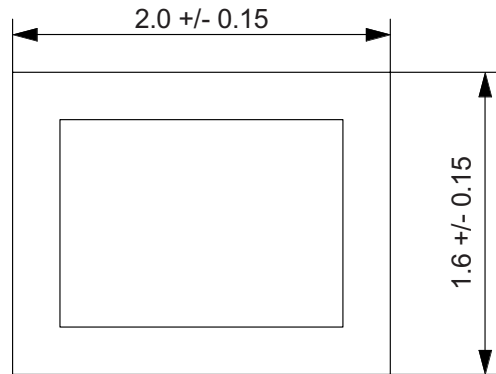
GPS Rx SAW Filter

Design No duuw001R



THIRD ANGLE PROJECTION

Tolerance : +/-0.05



- (1) Input
- (2) GND
- (3) Output
- (4) GND

Note :
The design manufacturing process,
and Specification of this device
are subject to change without
notice.

DO NOT SCALE DRAWING

REVISIONS INDICATED BY Δ

ALL DIMENSIONS ARE IN MILLIMETERS

Under Development

UNLESS OTHERWISE SPECIFIED

BASIC DIMENSIONS		TOLERANCE
UP TO	INCL	
TO	INCL	
TO	INCL	
TO	INCL	
ABOVE		

--	--	--

ISSUE	REVISIONS	DATE
MATERIAL	FINISH	SCALE
DESIGN		
DRAW		
CHECK		
APPROVAL		
DRAWING NO.		

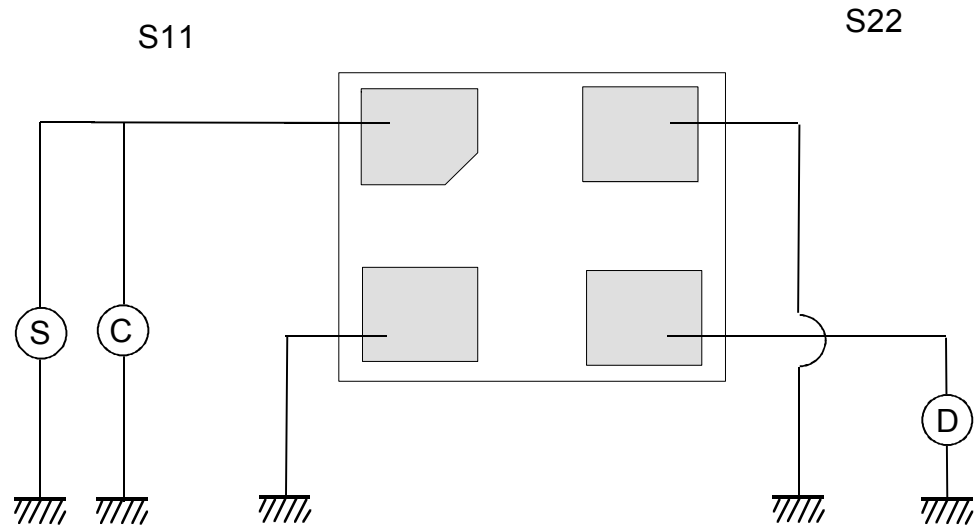
NAME	TYPE NO.
------	----------

SAW Filter

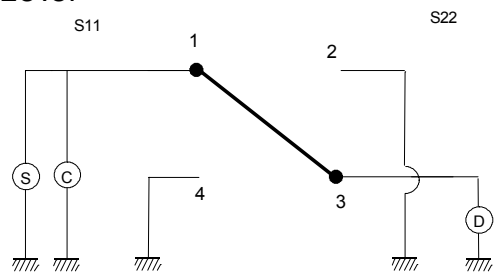
**CERAMIC BUSINESS UNIT, LCR DEVICE COMPANY
MATSUSHITA ELECTRONIC COMPONENTS CO.,LTD.
KADOMA, OSAKA, JAPAN**

THIRD ANGLE PROJECTION

UNLESS OTHERWISE SPECIFIED		
BASIC DIMENSIONS		TOLERANCE
UP TO	INCL	
TO	INCL	
TO	INCL	
TO	INCL	
ABOVE		



0 Level



S : Standard Signal Generator
(Output Impedance 50 ohm)
C : Frequency Counter
D : Detector
(Input Impedance 50 ohm)

Fig. 2

--	--	--

ISSUE	REVISIONS	DATE
MATERIAL	FINISH	SCALE
DESIGN		
DRAW		
CHECK		
APPROVAL		
DRAWING NO.		
TYPE NO.		

NAME	SAW filter
CERAMIC BUSINESS UNIT , LCR DEVICE COMPANY MATSUSHITA ELECTRONIC COMPONENTS CO.,LTD. KADOMA, OSAKA, JAPAN	

DO NOT SCALE DRAWING

REVISIONS INDICATED BY

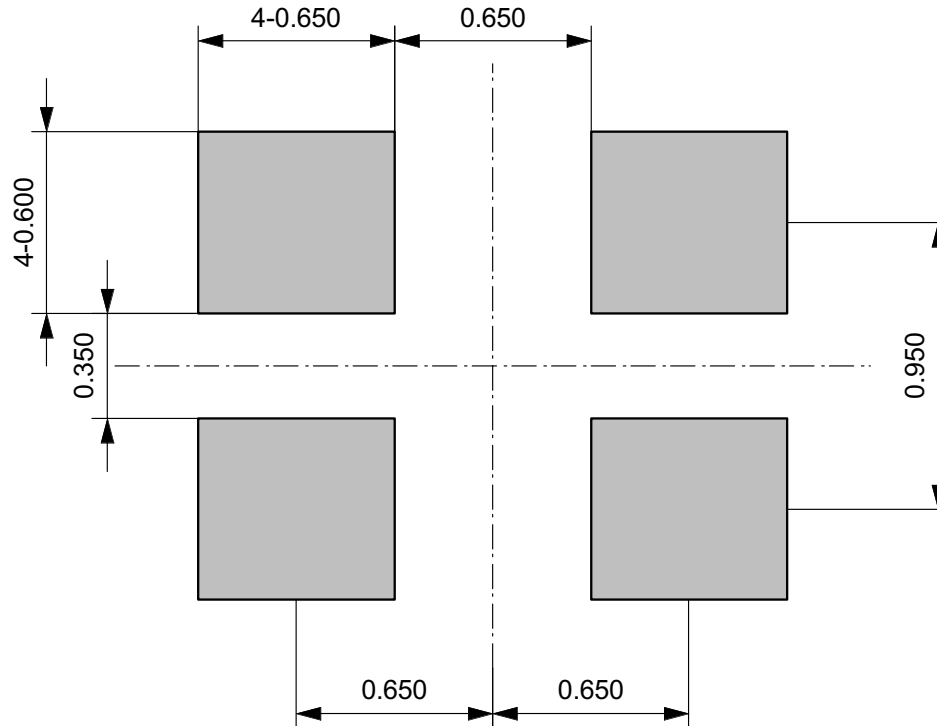
ALL DIMENSIONS ARE IN MILLIMETERS

THIRD ANGLE PROJECTION

UNLESS OTHERWISE SPECIFIED

BASIC DIMENSIONS		TOLERANCE
UP TO	INCL	
TO	INCL	
TO	INCL	
TO	INCL	
ABOVE		

Recommended land pattern



Note :
 The design manufacturing process, and Specification of this device are subject to change without notice.

--	--	--

ISSUE	REVISIONS	DATE
MATERIAL	FINISH	SCALE
DESIGN		
DRAW		
CHECK		
APPROVAL		
DRAWING NO.		

NAME	SAW Filter	TYPE NO.
------	------------	----------

**CERAMIC BUSINESS UNIT, LCR DEVICE COMPANY
 MITSUBISHI ELECTRIC CORP., LTD.
 KADOMA, OSAKA, JAPAN**