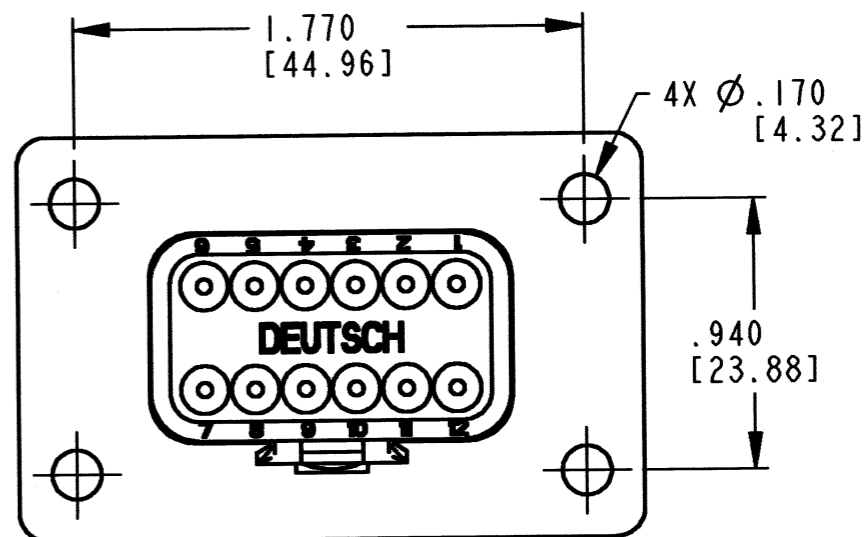
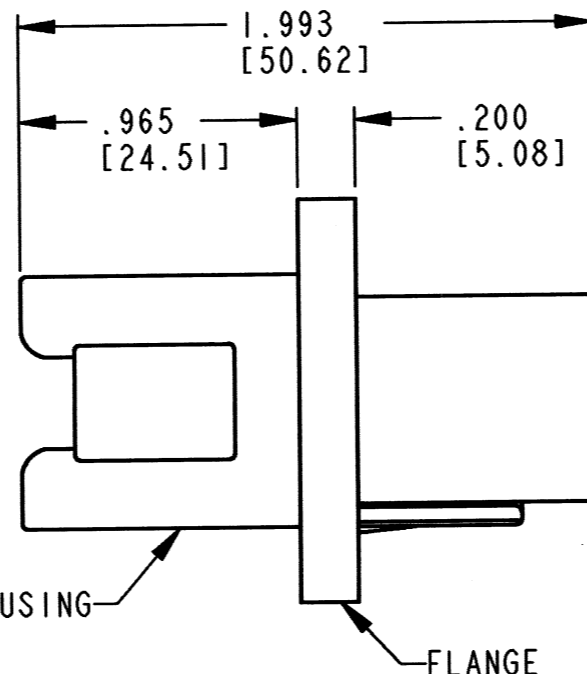
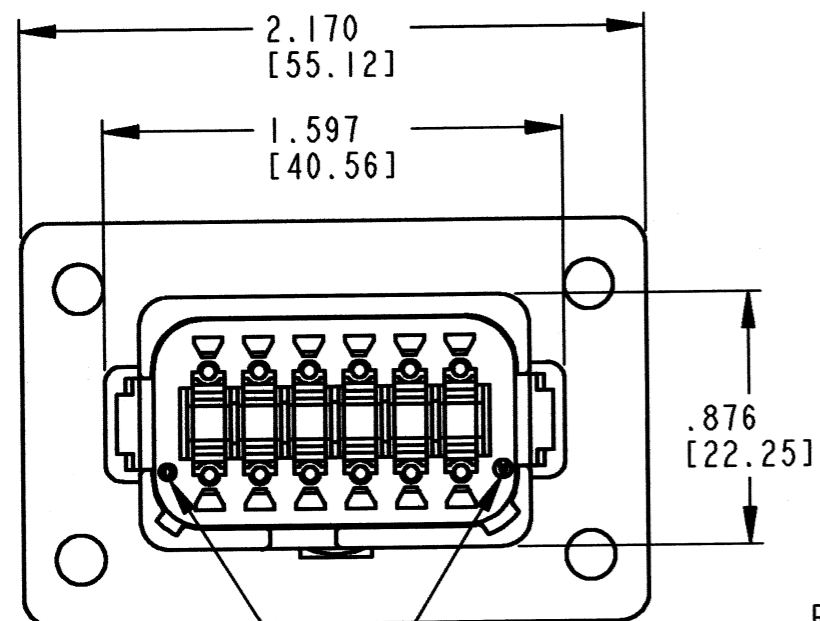


REV
A DT04-12P*-BL04

REVISIONS			
SYM	DESCRIPTION	DATE	APPROVED
NC	NEW RELEASE/REPLACES PREVIOUS		
	RELEASE PER E.O. P20101	4/15/09	R.D.R.
A	REVISED PER E.O. P20438	5-18-10	RDR



DATE CODE: MONTH IS REPRESENTED BY SEQUENTIAL ALPHA CHARACTERS. EX: A = JANUARY
YEAR IS REPRESENTED BY LAST DIGIT. EX. 0 = 2000.

CONTACT SIZE	MIN. INSUL. O.D.	MAX. INSUL. O.D.	WIRE RANGE [mm ²]
16	.088 [2.24]	.145 [3.68]	14-20 AWG [2.0-0.5]

- 5. MATERIAL - SHELL: PLASTIC
SEAL: RUBBER
- 4. THIS RECEPTACLE MATES WITH DT06-12S*-****. (* = KEY ARR. A,B,C,D, ****=ALL MODIFICATIONS.) CONSULT FACTORY FOR MODIFICATIONS.
- 3. FOR CONTACTS AND WIRE PERFORMANCE AND APPLICATION CHARACTERISTICS SEE ENVELOPE DRAWING 0425-015-0000 AND 0425-017-0000.
- 2. DIMENSIONS ARE ±.025[0.63] UNLESS OTHERWISE SPECIFIED.

NOTES: 1. DIMENSIONS ARE IN INCHES [MILLIMETERS].

SIGNATURE & DATE	
DR	R. MESSENGER 1/6/09
CHK	P. M. 5/14/10
PE	K. MESSNER 2/22/10
APPD	S. B. 5.4.10
SCALE	NONE WT

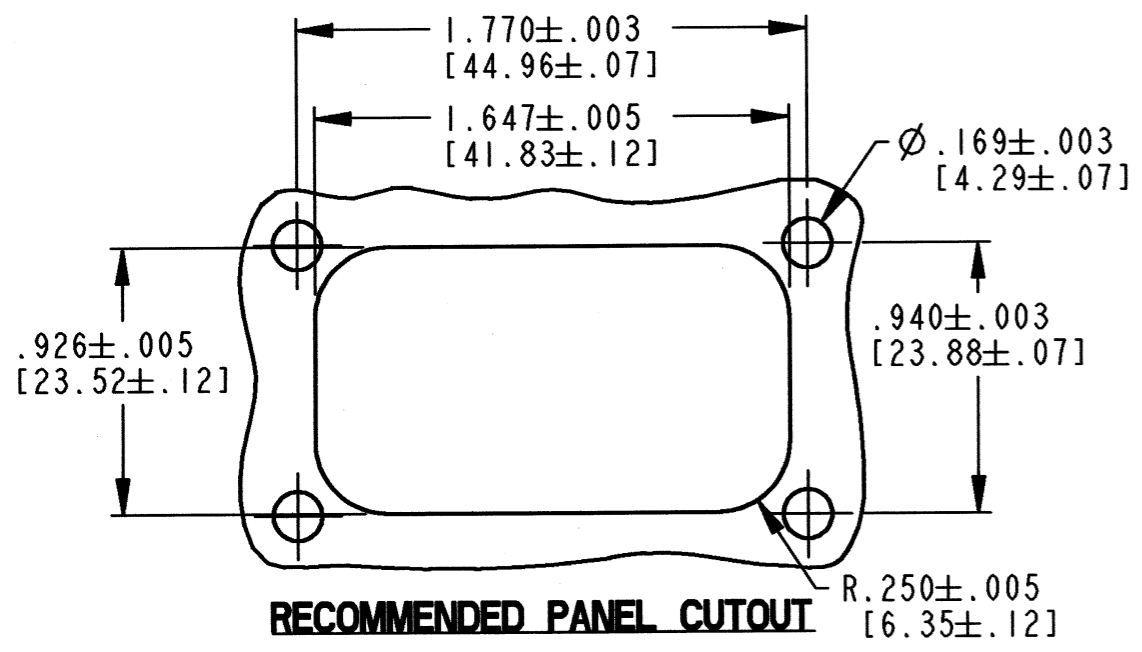
12 WAY RECEPTACLE
WITH ENHANCED KEY
AND FLANGE
DT SERIES

ENVELOPE

EP	MATL. CODE
3850 INDUSTRIAL AVE. HEMET, CA 92545	
B	DT04-12P*-BL04
DWG SIZE	CODE 11139 SHEET 1 OF 2

REV
A DT04-12P*-BL04

REVISIONS			
SYM	DESCRIPTION	DATE	APPROVED
A	SEE SHEET 1	5-18-10	<i>RR</i>

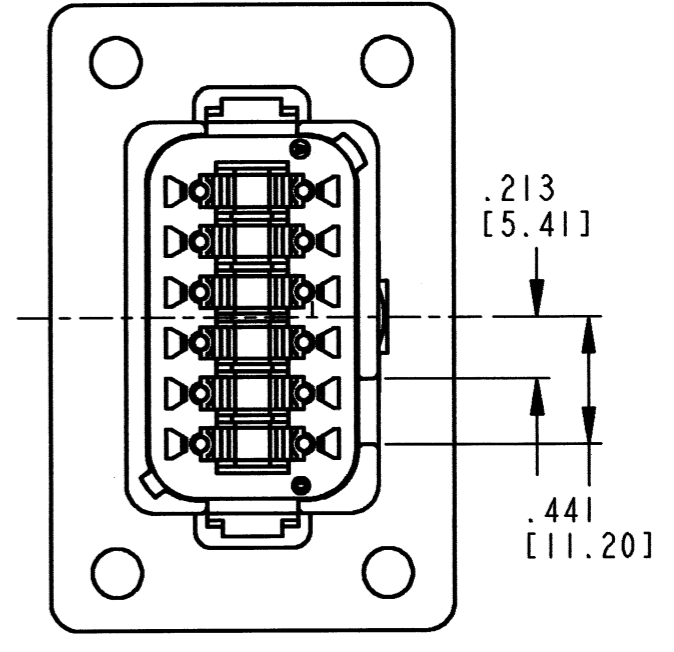
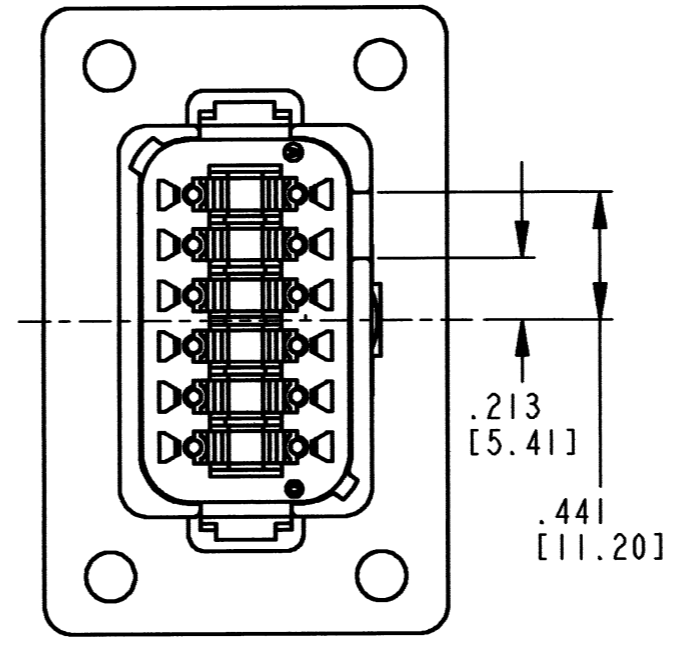
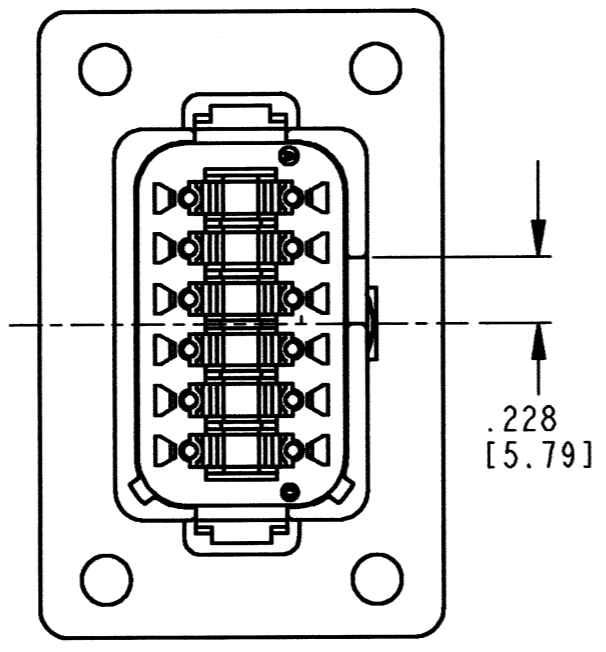
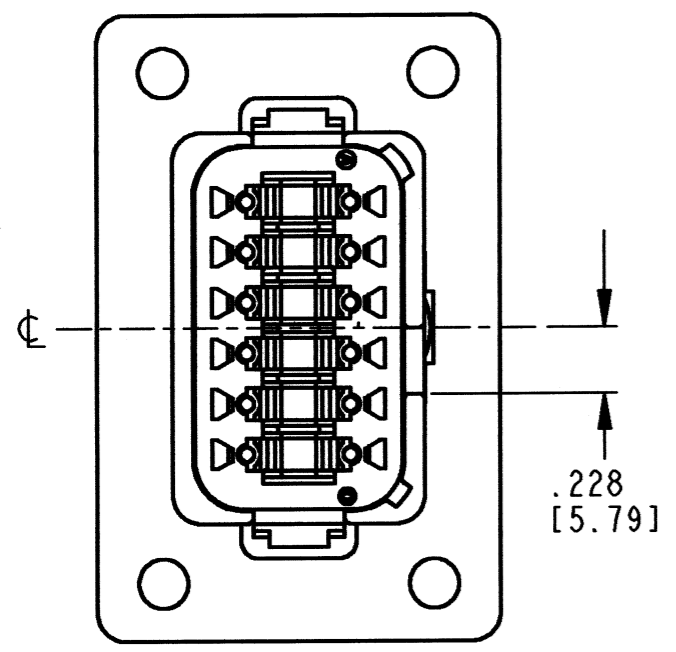


DT04-12PA-BL04
KEY -A-
COLOR: GRAY

DT04-12PB-BL04
KEY -B-
COLOR: BLACK

DT04-12PC-BL04
KEY -C-
COLOR: GREEN

DT04-12PD-BL04
KEY -D-
COLOR: BROWN



NOTES:

SIGNATURE & DATE	
DR	<i>R. MESSENGER 1/6/09</i>
CHK	<i>R. MESS 5/14/10</i>
PE	<i>R. Messenger 2/22/10</i>
APPD	<i>S. Bump 5-4-10</i>
SCALE	NONE WT

**12 WAY RECEPTACLE
WITH ENHANCED KEY
AND FLANGE
DT SERIES**

ENVELOPE

EP	MATL. CODE
3850 INDUSTRIAL AVE. HEMET, CA 92545	
B	DT04-12P*-BL04
DWG SIZE	CODE 11139 SHEET 2 OF 2