



Chipsmall Limited consists of a professional team with an average of over 10 year of expertise in the distribution of electronic components. Based in Hongkong, we have already established firm and mutual-benefit business relationships with customers from,Europe,America and south Asia,supplying obsolete and hard-to-find components to meet their specific needs.

With the principle of “Quality Parts,Customers Priority,Honest Operation,and Considerate Service”,our business mainly focus on the distribution of electronic components. Line cards we deal with include Microchip,ALPS,ROHM,Xilinx,Pulse,ON,Everlight and Freescale. Main products comprise IC,Modules,Potentiometer,IC Socket,Relay,Connector.Our parts cover such applications as commercial,industrial, and automotives areas.

We are looking forward to setting up business relationship with you and hope to provide you with the best service and solution. Let us make a better world for our industry!



Contact us

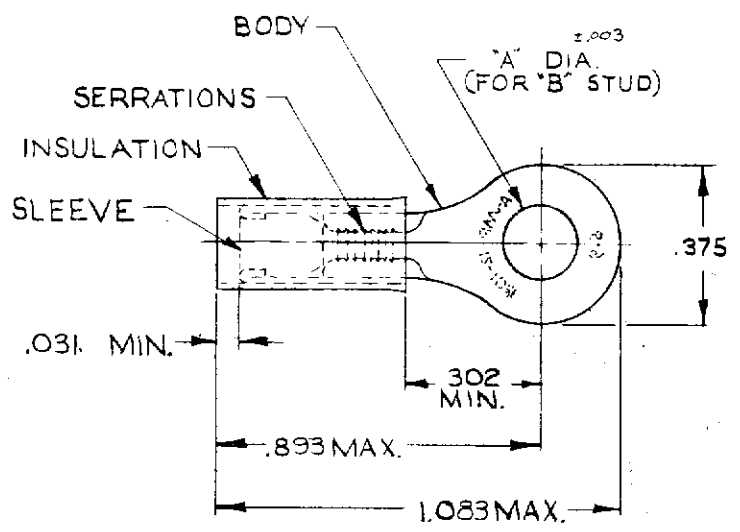
Tel: +86-755-8981 8866 Fax: +86-755-8427 6832

Email & Skype: info@chipsmall.com Web: www.chipsmall.com

Address: A1208, Overseas Decoration Building, #122 Zhenhua RD., Futian, Shenzhen, China



REVISIONS				
ZONE	LTR	DESCRIPTION	DATE	APPROVED
	J2	REVISED PER ECO-11-005027	6APR11	HMR



FOR .102 TO .214 WIRE INSULATION DIA.
TONGUE MATERIAL THK. = .039 ± .002

TABLE I

1	WIRE TERMINAL	SEE TABLE II	BODY: COPPER (ASTM B152) NICKEL PLATE (QQ-N-290) .0003 AVG. EXT. THK.
			SLEEVE: COPPER (ASTM B152) NICKEL PL (QQ-N-290).00003 AVG. EXT. THK.
			INSULATION: TEFLON (ASTM D3295) COLOR: BLACK

TABLE II

PART NO.	"A"	"B"	PART NO. ON TAPE	
50845-2	.197	*10	50845-5	OBSOLETE
50845-1	.171	*8	50845-4	
50845	.145	*6	50845-3	

QTY	DESCRIPTION	PART NO.	MATERIAL & FINISH
			UNLESS OTHERWISE SPECIFIED DIMENSIONS ARE IN INCHES TOLERANCES ON: DECIMALS: ± .008 ANGLES: ± 5°
			CONTRACT NO. <u>11</u>
			DR. <u>Stimpert</u> 7-29-69
			CHK. <u>John E. Miller</u> 7-30-69
			APPR. <u>Swibel</u> 8-6-69
			REL. <u>J.M. Esmering</u> 5-6-69
			DSGN APPD
			OTHER APPD
			NAME: WIRE TERMINAL PIDG - STRATO-THERM - RING TONGUE WIRE SIZE: 12-10
			SIZE: B CODE IDENT NO.: 00779 NUMBER: 50845
			SCALE: NTS SHEET: 1 OF 1

CUSTOMER DRAWING