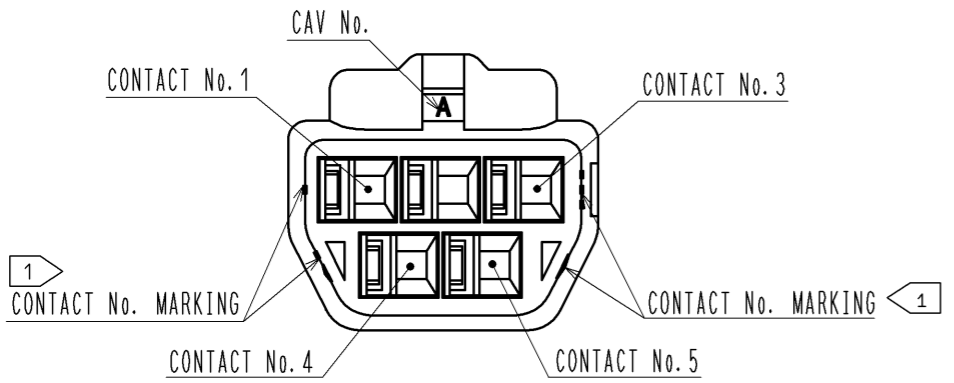
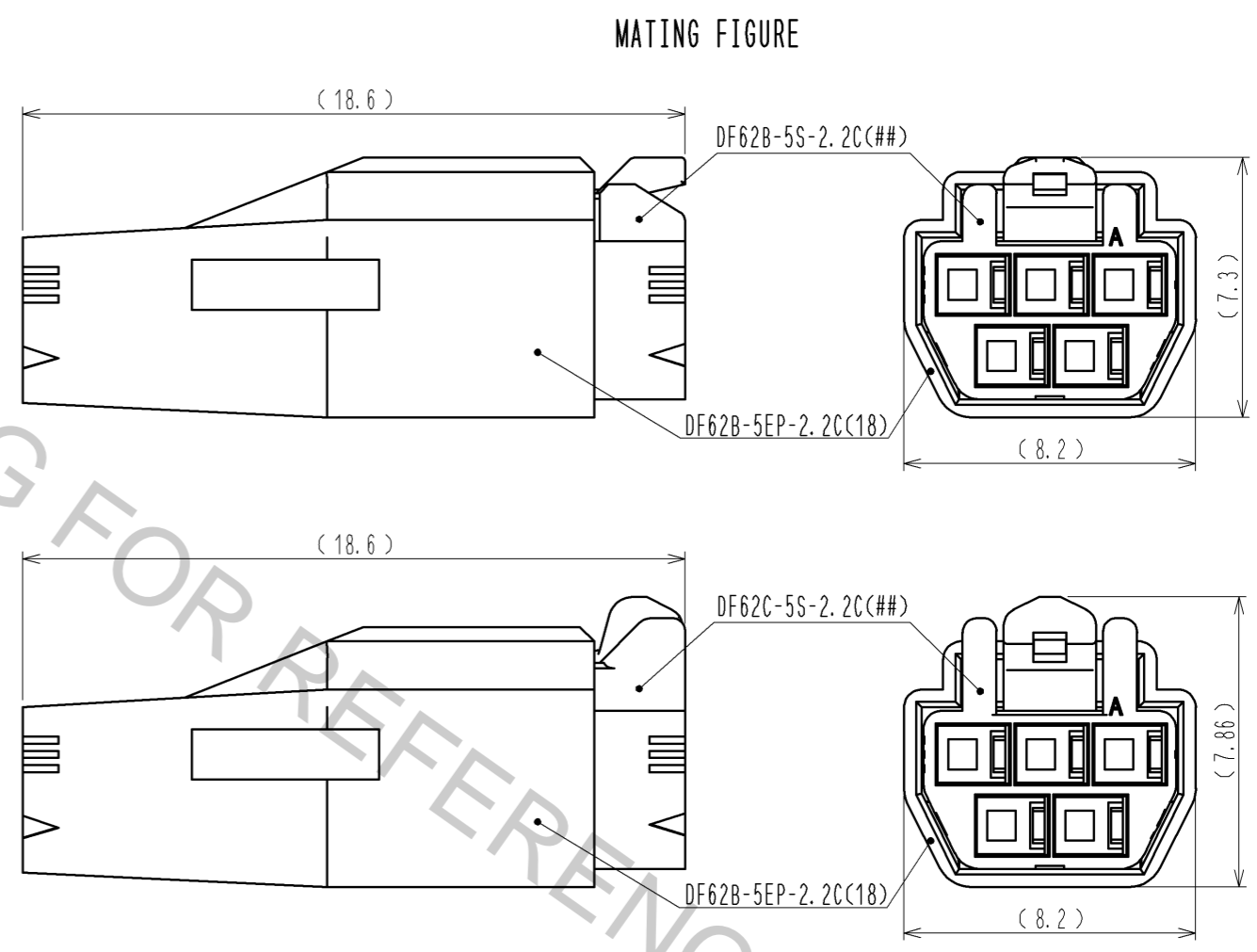
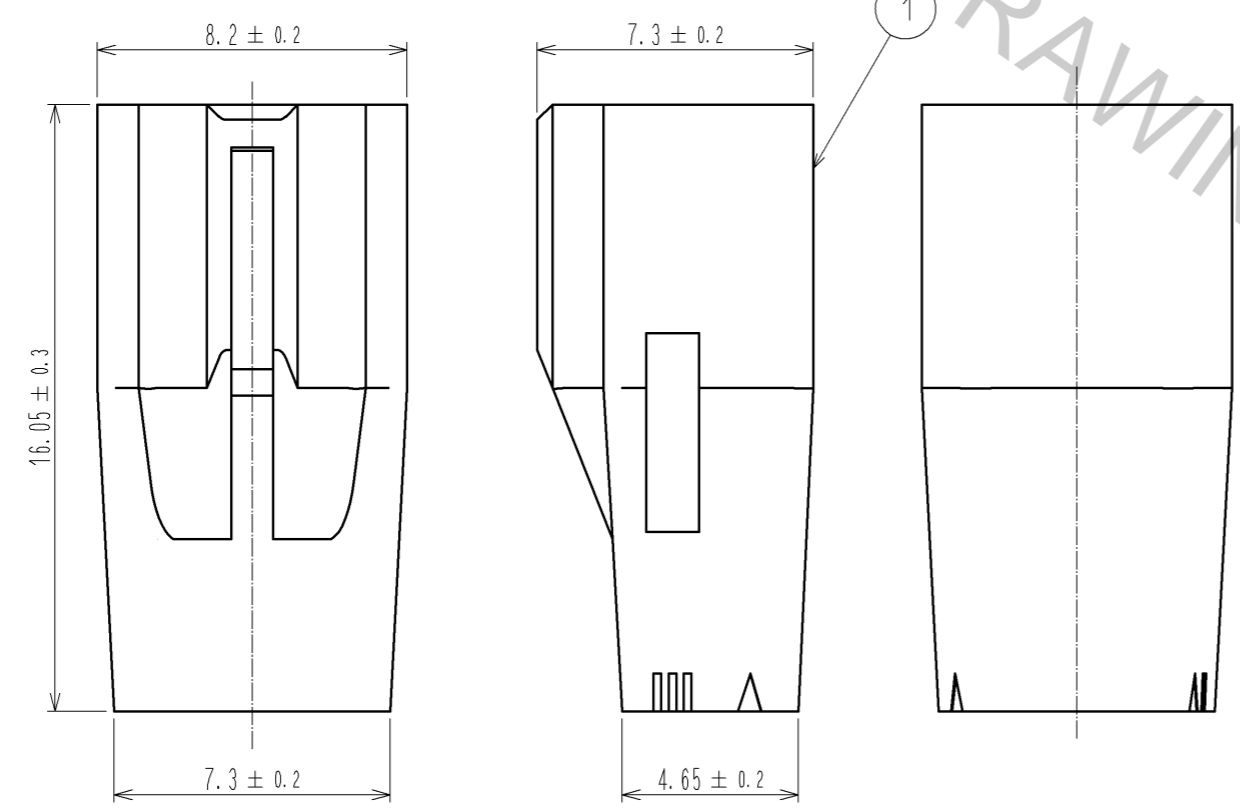
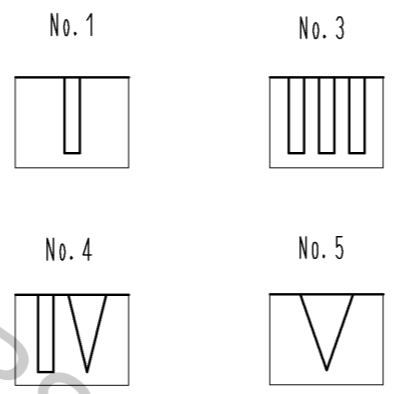


1 FIGURE-1 CONTACT No. MARKING (10:1)



NOTE. 1 MARKINGS AT THE INDICATED POSITIONS ARE CONTACT NO. MARKING. AND SHAPES ARE SHOWN IN FIGURE-1.
 2. PER PACK : 100 PIECES.
 3. THE DIMENSIONS IN PARENTHESIS ARE FOR REFERENCE.

NO.		MATERIAL		FINISH . REMARKS		1	PBT	UL94V-0 (RED)
UNITS mm		SCALE 5 : 1		COUNT		DESIGNED		CHECKED
HRS		HIROSE ELECTRIC CO., LTD.		APPROVED : KI. AKIYAMA		13.09.10		DRAWING NO.
				CHECKED : OM. MIYAMOTO		13.09.10		PART NO.
				DESIGNED : TH. YOSHIZAWA		13.09.09		CODE NO.
				DRAWN : MI. SAKIMURA		13.09.09		CL544-0561-3-18
								EDC3-351966-02
								DF62B-5EP-2.2C(18)
								1/1