

# D3 - SERIES

## SPECIFICATIONS AND ORDERING INFORMATION

1 5/16" DIAMETER 1.5 AMPS @ 28 VDC

The D3 Series was originally designed as a high quality military switch, but is ideal for use in both military and commercial equipment applications. The standard features of this hill and valley design are glass epoxy insulation and a 30° index, with options of ceramic and diallyl insulation and a 60° index.



### SPECIFICATIONS

#### ELECTRICAL

**Current and Voltage Rating:** Make and break resistive load  
1.5 amps @ 28 VDC; 0.5 amp @ 115 VAC.  
**Current Carrying Capacity:** 9 amps.  
**Dielectric Strength:** 1,000 VAC between current carrying parts and ground.  
**Contact Resistance:** Average initial 3.5 milliohms.  
**Insulation Resistance:** Glass in excess of 750,000 megohms.  
Ceramic in excess of 1,000,000 megohms.  
Diallyl in excess of 900,000 megohms.  
**Hardware:** Mounting nut and lockwasher are shipped assembled.

#### MECHANICAL

**Materials and Finishes:** All parts utilize non-corrosive materials.  
**Clips and Rotors:** Silver alloy standard on ceramic.  
Brass with silver plate standard on glass.  
**Insulation:** Glass epoxy, ceramic, or diallyl phthalate.  
**Index:** Single-ball, hill and valley.  
**Index Life:** 25,000 cycles minimum.  
**Index Torque:** Switches have lowest practical torque consistent with crisp detenting and smooth, reliable operation.  
**Index Angles:** Positive 30° standard, 60° available.  
**Index Stops:** Adjustable standard, fixed or continuous.  
**Stop Strength:** 25 in. lbs. minimum.

### STANDARD PART NUMBER

#### EPOXY GLASS INSULATION - BRASS SILVER PLATE

SWITCHES - SOLDER LUG TERMINALS - 30° INDEX - ADJUSTABLE STOPS SET @ 2 POS.

POLES	ACTIVE POSITIONS	POLES/SECTION	NO. OF SECTIONS	SHORTING	NON-SHORTING	FIG. *
01	02-11	1	1	D3G0111S	D3G0111N	DA
02	02-11	1	2	D3G0211S	D3G0211N	DA
02	02-05	2	1	D3G0205S	D3G0205N	DH
03	02-11	1	3	D3G0311S	D3G0311N	DA
03	02-03	3	1	D3G0303S	D3G0303N	DM
04	02-05	2	2	D3G0405S	D3G0405N	DH
06	02-03	3	2	D3G0603S	D3G0603N	DM
06	02-05	2	3	D3G0605S	D3G0605N	DH

#### CERAMIC INSULATION - SILVER ALLOY - 2.6 AMPS @ 28 VDC

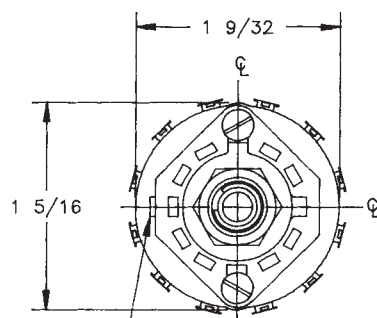
SWITCHES - SOLDER LUG TERMINALS - 30° INDEX - ADJUSTABLE STOPS SET @ 2 POS.

POLES	ACTIVE POSITIONS	POLES/SECTION	NO. OF SECTIONS	SHORTING	NON-SHORTING	FIG. *
01	02-11	1	1	D3C0111S	D3C0111N	DA
02	02-11	1	2	D3C0211S	D3C0211N	DA
02	02-05	2	1	D3C0205S	D3C0205N	DH
03	02-11	1	3	D3C0311S	D3C0311N	DA
03	02-03	3	1	D3C0303S	D3C0303N	DM
04	02-05	2	2	D3C0405S	D3C0405N	DH
06	02-03	3	2	D3C0603S	D3C0603N	DM
06	02-05	2	3	D3C0605S	D3C0605N	DH

\* FIGURES ARE SHOWN ON PAGES 55 AND 56.

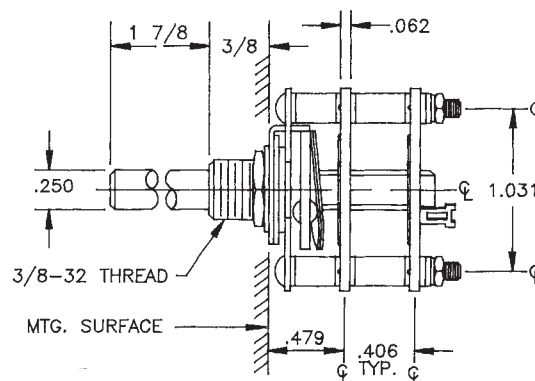
### DIMENSIONS

#### STANDARD CONSTRUCTION



NON-TURN LUG  
.125W X .035 THK.  
.531 FROM C-LINE  
.117 ENGAGEMENT

#### D3G - GLASS EPOXY CONSTRUCTION



## How to Order Additional Options:

2 DIGIT SERIES	INSULATION TYPE	TOTAL POLES	ACTIVE POSITIONS	CONTACT TYPE	TERMINAL TYPE	INDEX ANGLE	STOP TYPE	SHAFT/ BUSHING	SHAFT FLAT
D3	G - GLASS C - CERAMIC (SILVER ALLOY) D - DIALLYL	01 - MIN.	12 - MAX @ 30° 06 - MAX @ 60°	N - NON SHORTING S - SHORTING	L - SOLDER LUG R - REAR P.C.	30° 60°	A - ADJ. F - FIXED C - CONT.	SEE CHART "A"	SEE CHART "B"

CUSTOMERS SPECIFIED ORDER NUMBER FOR STANDARD OPTIONS

<b>D</b>	<b>3</b>	<input type="checkbox"/>	<input type="checkbox"/>	<input type="checkbox"/>	<input type="checkbox"/>	<input type="checkbox"/>	<input type="checkbox"/>	<input type="checkbox"/>	<input type="checkbox"/>
		(SPECIFY)	(SPECIFY)	(SPECIFY)	(SPECIFY)	(SPECIFY)	(SPECIFY)	(SPECIFY)	(SPECIFY)

ADDITIONAL OPTIONS

## SHAFT, BUSHING, AND FLAT OPTIONS

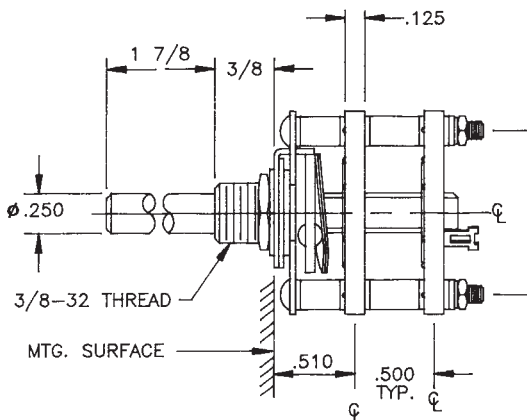
P/N OPT.	SHAFT LGTH. "A"	BUSH. LGTH. "B"
01	3/8	1/4
02	3/8	3/8
03	1/2	1/4
04	1/2	3/8
05	9/16	1/4
06	9/16	3/8
07	3/4	1/4
08	3/4	3/8
09	1	1/4
10	1	3/8
11	1 1/2	1/4
12	1 1/2	3/8
13	1 7/8	1/4
14	1 7/8	3/8

P/N OPT.	FLAT ANGLE
B	ROUND
U	15°
W	165°
Y	195°
Z	345°

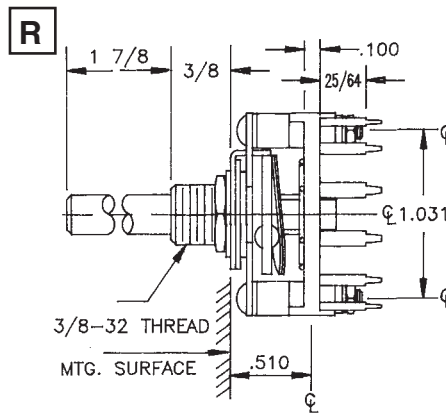
SHAFT AS VIEWED WITH NON-TURN LUG AT 9 O'CLOCK AND SHAFT IN EXTREME CCW POSITION AND STRUT BOLTS ORIENTED VERTICALLY.

## INSULATION AND PRINTED CIRCUIT BOARD TERMINAL OPTIONS

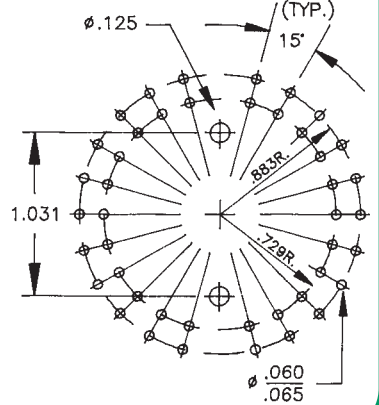
D3C - CERAMIC CONSTRUCTION



D3D - DIALLYL PHTHALATE CONSTRUCTION



P.C. BOARD MOUNTING PATTERN (TYP.)



CUSTOM SWITCHES ARE AVAILABLE. CONTACT THE FACTORY WITH YOUR COMPLETE SPECIFICATIONS.