

4

3

2

1

D

D

C

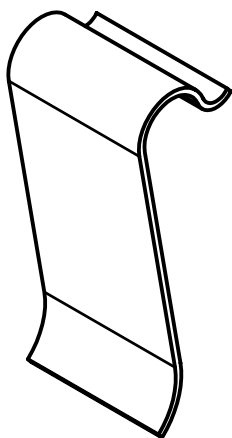
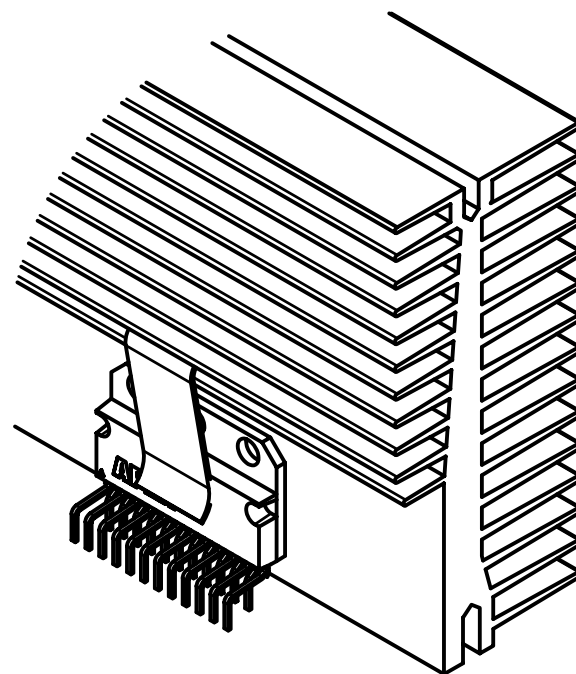
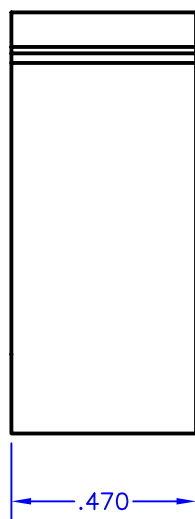
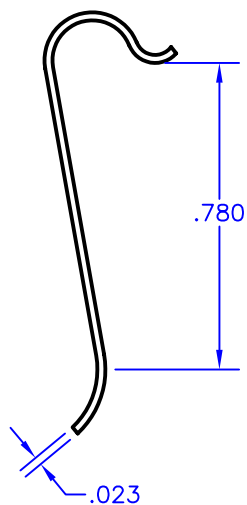
C

B

B

A

A



NOTES:

1. Unless otherwise noted, dimensions are in inches.
2. Break all sharp edges, de-burr and remove loose chips.
3. Aavid Thermalloy part number MAX10.
4. Used with HS32 heatsink.

TOLERANCES - UNLESS OTHERWISE SPECIFIED	
.XX	= ±.01
.XXX	= ±.005
ANG.	= ±.5°



TITLE CLAMP, SIP				PART NO. CLAMP05	
SUBJECT MECHANICAL DRAWING					
ENG. KNG	TECH/DWN. P.ECK	DCA 50449	SH. OF 1 1	FILENAME CLAMP05	REV. DATE A 08DEC05

4

3

2

1