



Chipsmall Limited consists of a professional team with an average of over 10 year of expertise in the distribution of electronic components. Based in Hongkong, we have already established firm and mutual-benefit business relationships with customers from,Europe,America and south Asia,supplying obsolete and hard-to-find components to meet their specific needs.

With the principle of “Quality Parts,Customers Priority,Honest Operation,and Considerate Service”,our business mainly focus on the distribution of electronic components. Line cards we deal with include Microchip,ALPS,ROHM,Xilinx,Pulse,ON,Everlight and Freescale. Main products comprise IC,Modules,Potentiometer,IC Socket,Relay,Connector.Our parts cover such applications as commercial,industrial, and automotives areas.

We are looking forward to setting up business relationship with you and hope to provide you with the best service and solution. Let us make a better world for our industry!



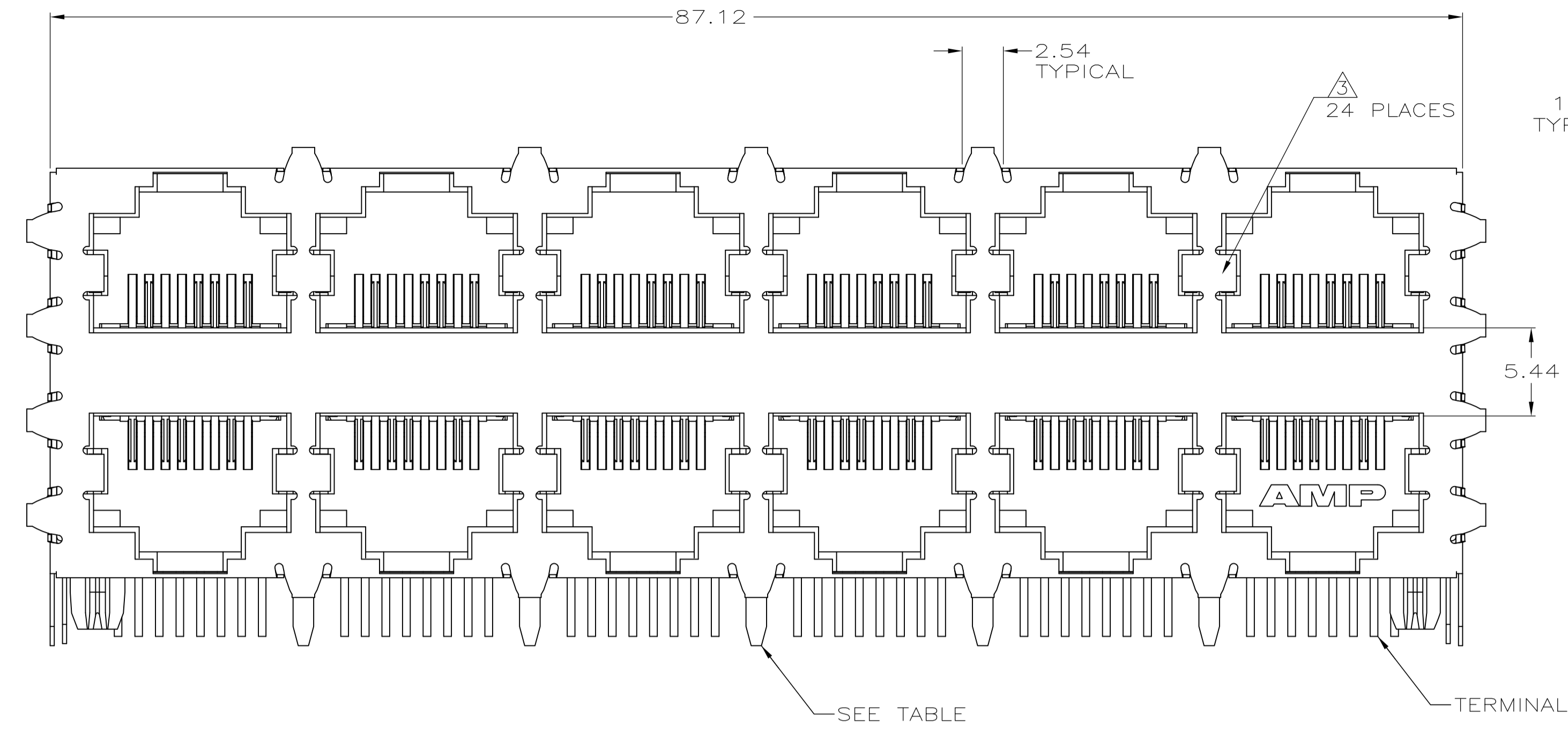
Contact us

Tel: +86-755-8981 8866 Fax: +86-755-8427 6832

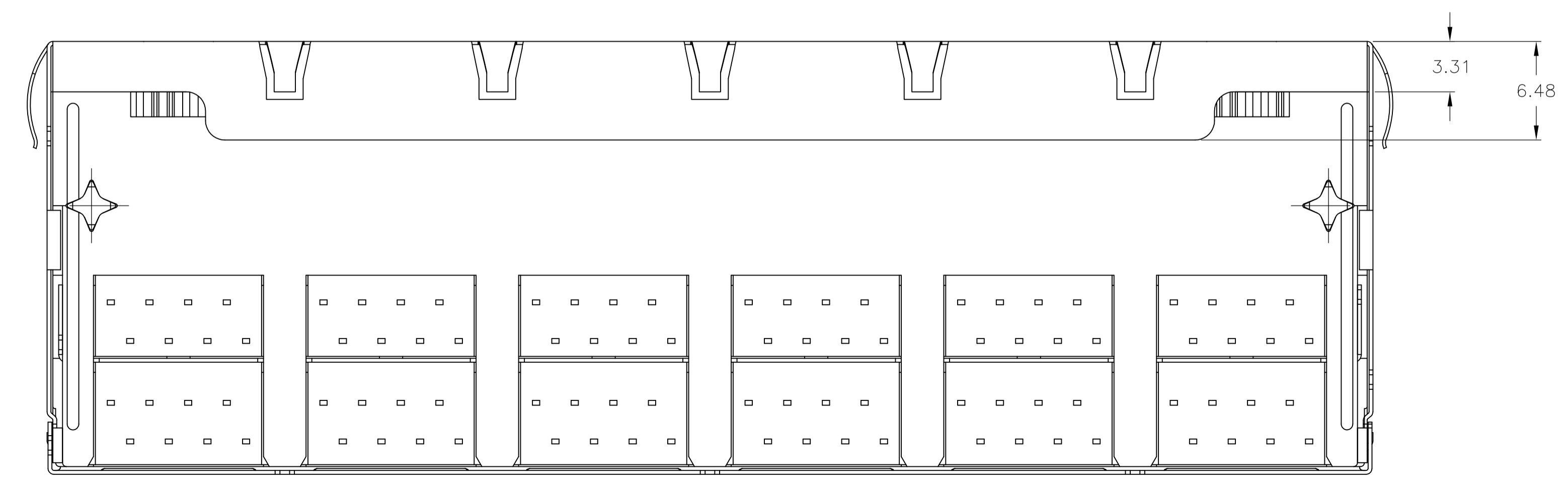
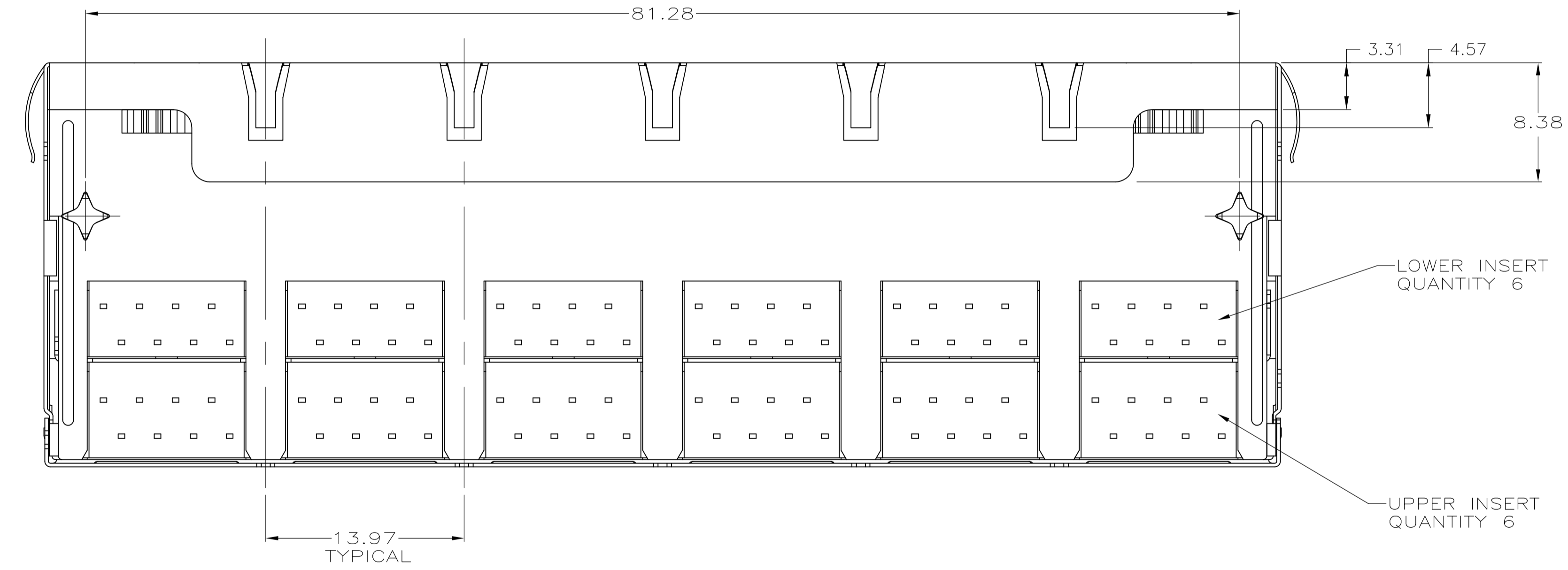
Email & Skype: info@chipsmall.com Web: www.chipsmall.com

Address: A1208, Overseas Decoration Building, #122 Zhenhua RD., Futian, Shenzhen, China

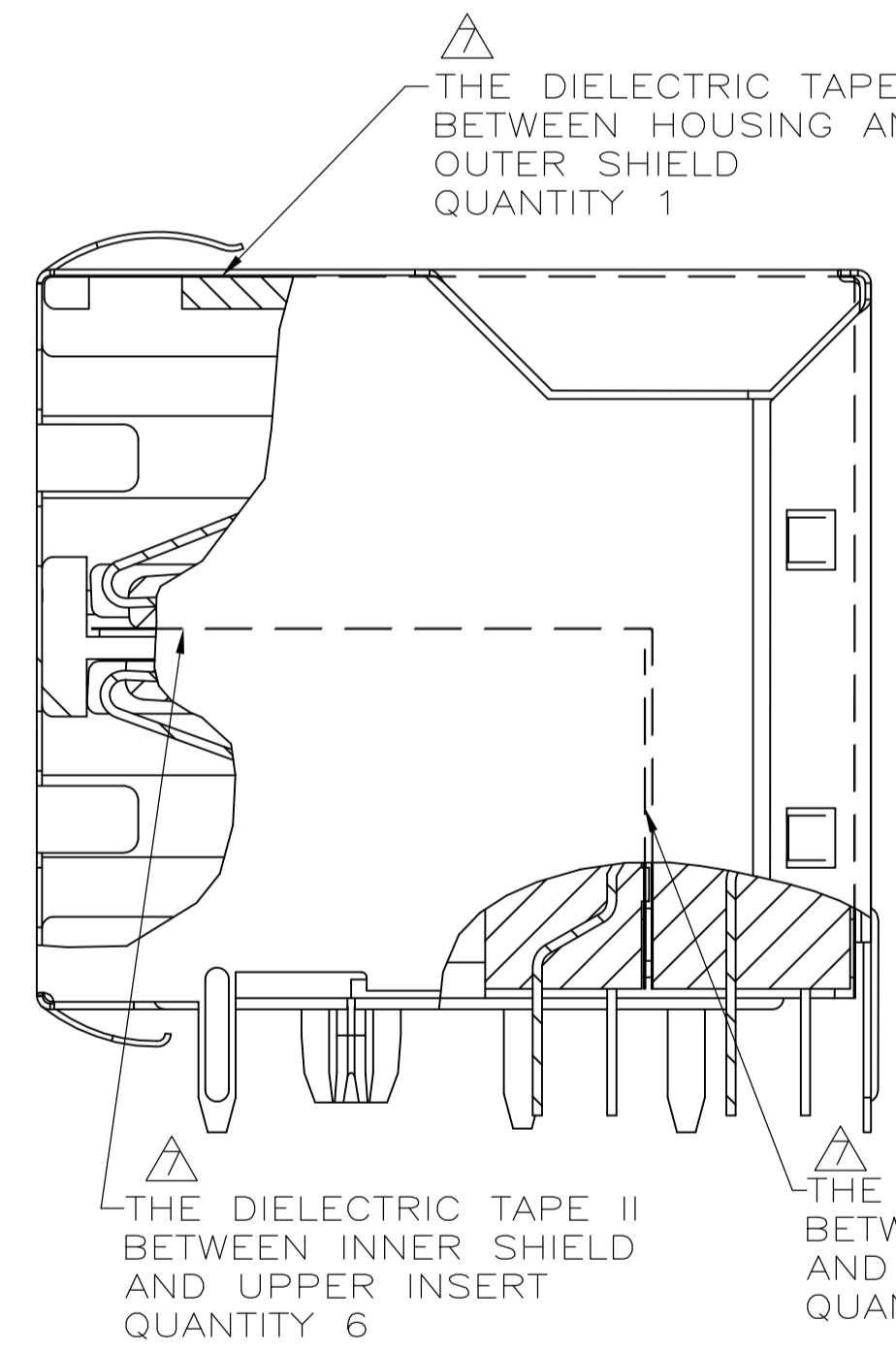
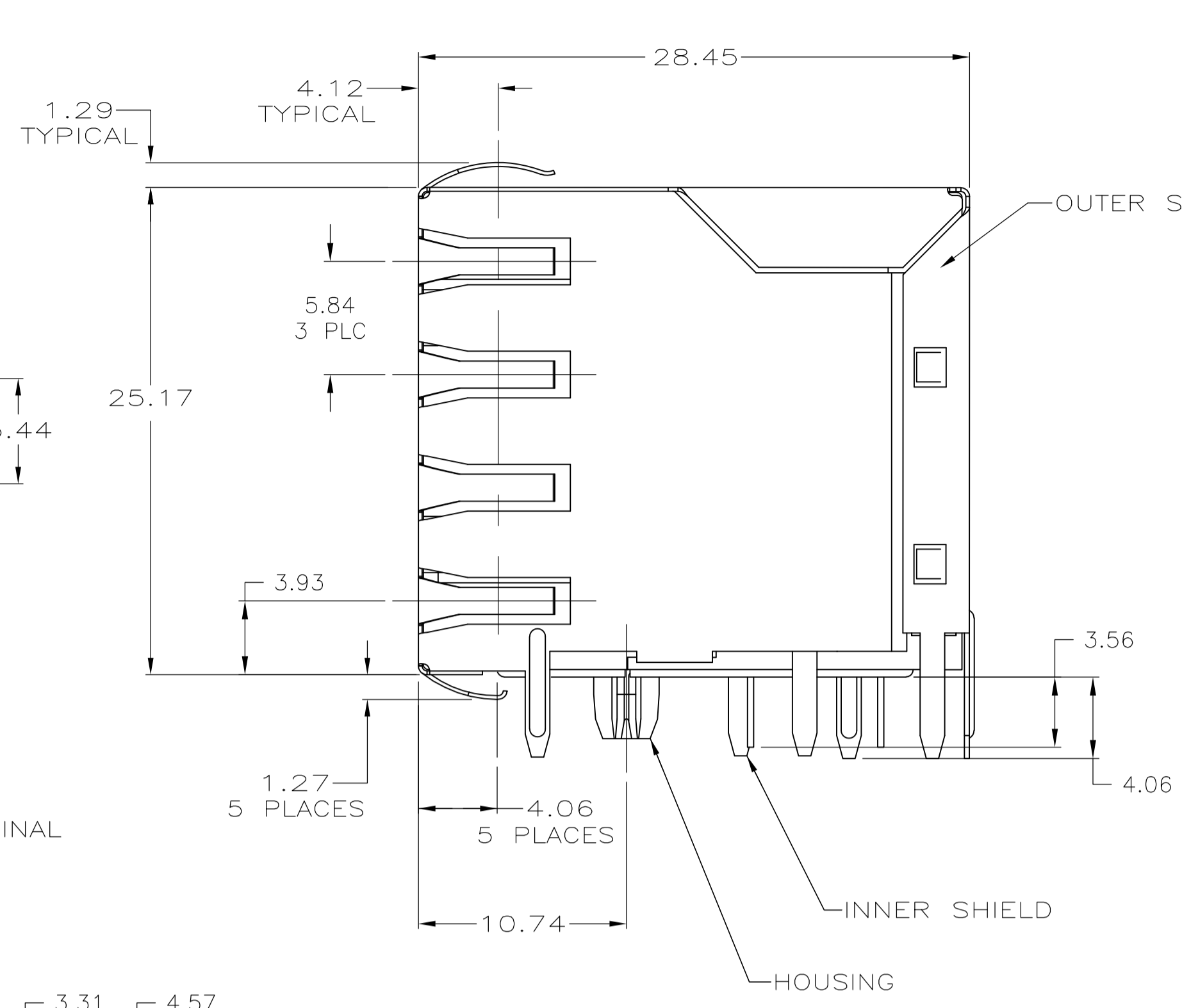




PN 6116000-2 & -3 SHOWN

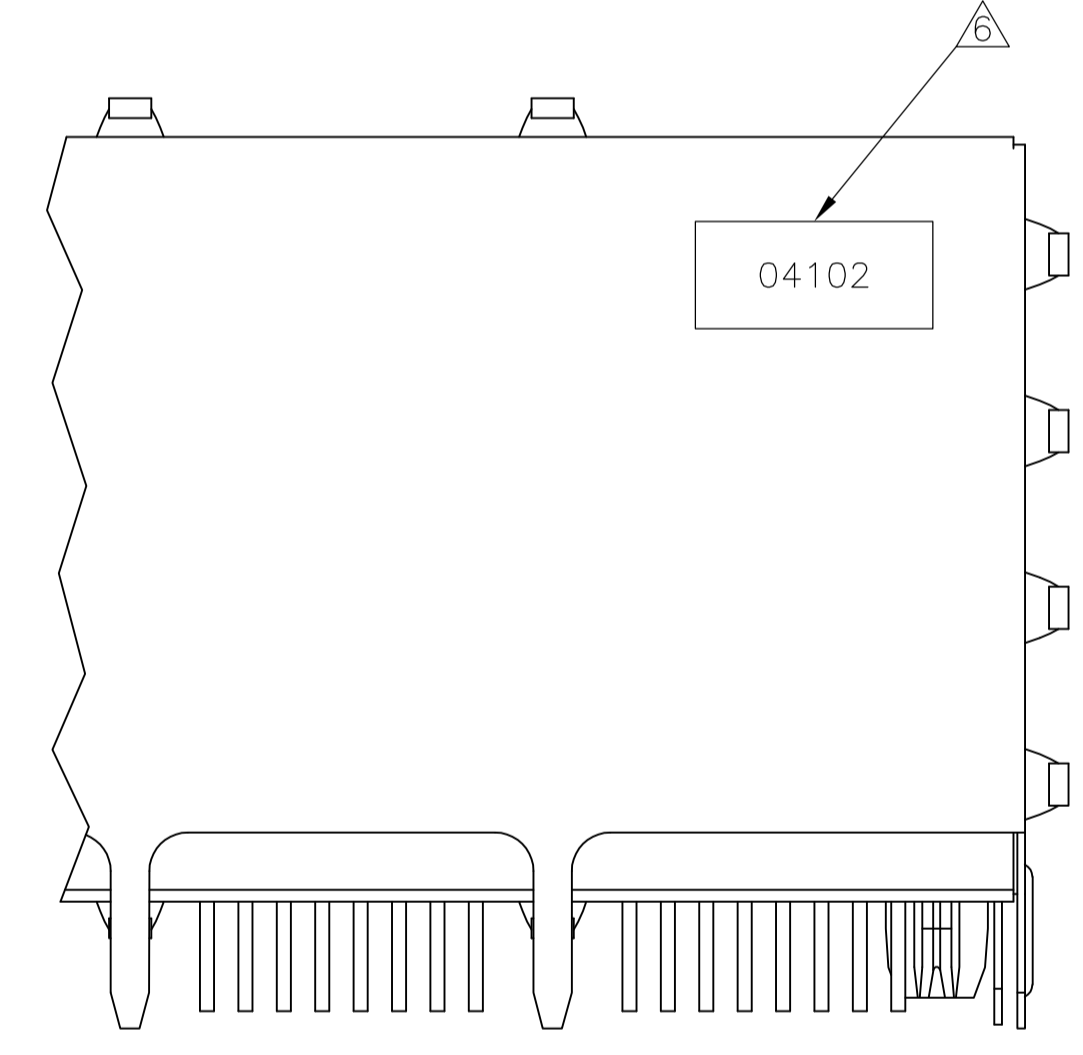


PN 6116000-1 & -4 SHOWN
 (WITH SHORT BOTTOM PANEL GROUND TABS AND 3 REAR TABS)



SECTION VIEW ONLY FOR PN 6116000-4

- △ MATERIAL: HOUSING - PCT POLYESTER, BLACK, UL 94V-0. OVERMOLDED TERMINAL ARRAY - PBT, BROWN. TERMINALS - 0.33 [0.013] THICK PHOSPHOR BRONZE PLATED WITH 1.27µm [0.000050] MIN THICK HARD GOLD IN LOCALIZED AREA AND 3.81µm [0.000150] MIN THICK MATTE TIN IN SOLDER AREA OVER 1.27µm [0.000050] MIN THICK NICKEL UNDERPLATE. OUTER SHIELD: 0.196 [0.0077] THICK COPPER ALLOY PLATED 1.27µm [0.000050] MIN NICKEL, PCB GROUND TABS DIPPED WITH 2.03µm [0.000080] MIN TIN.
- △ JACK CAVITY CONFORMS TO FCC RULES AND REGULATIONS, PART 68 SUBPART F.
- △ INNER SHIELD TABS FINAL FORMED AND SIZED BY MATING WITH MODULAR PLUGS TO REDUCE INITIAL MATING INSERTION FORCE. APPLIES TO PN 6116000-1 & -4 ONLY.
- △ USE #30 DRILL BIT OR 3.25mm DRILL BIT WHEN PRODUCING THESE PCB HOLES.
- 5. ALL DIMENSIONS NOMINAL UNLESS OTHERWISE SPECIFIED.
- △ DATE CODE LOCATED ON REAR OF PART APPROX AS SHOWN: FIRST 2 DIGITS ARE LAST 2 DIGITS OF YEAR, SECOND 2 DIGITS ARE MANUFACTURING WORK WEEK, LAST DIGIT IS DAY OF WEEK, WITH SUNDAY=1.
- △ THE DIELECTRIC TAPES ARE ONLY FOR PN 6116000-4.
- △ THE PN 6116000-4 IS PRELIMINARY.
- △ DIELECTRIC WITHSTANDING VOLTAGE: 2250 VDC BETWEEN CONTACT AND SHIELD.
- △ WITH IMPROVED CONTACT, REDUCING CONFLICTS WITH PLUG.

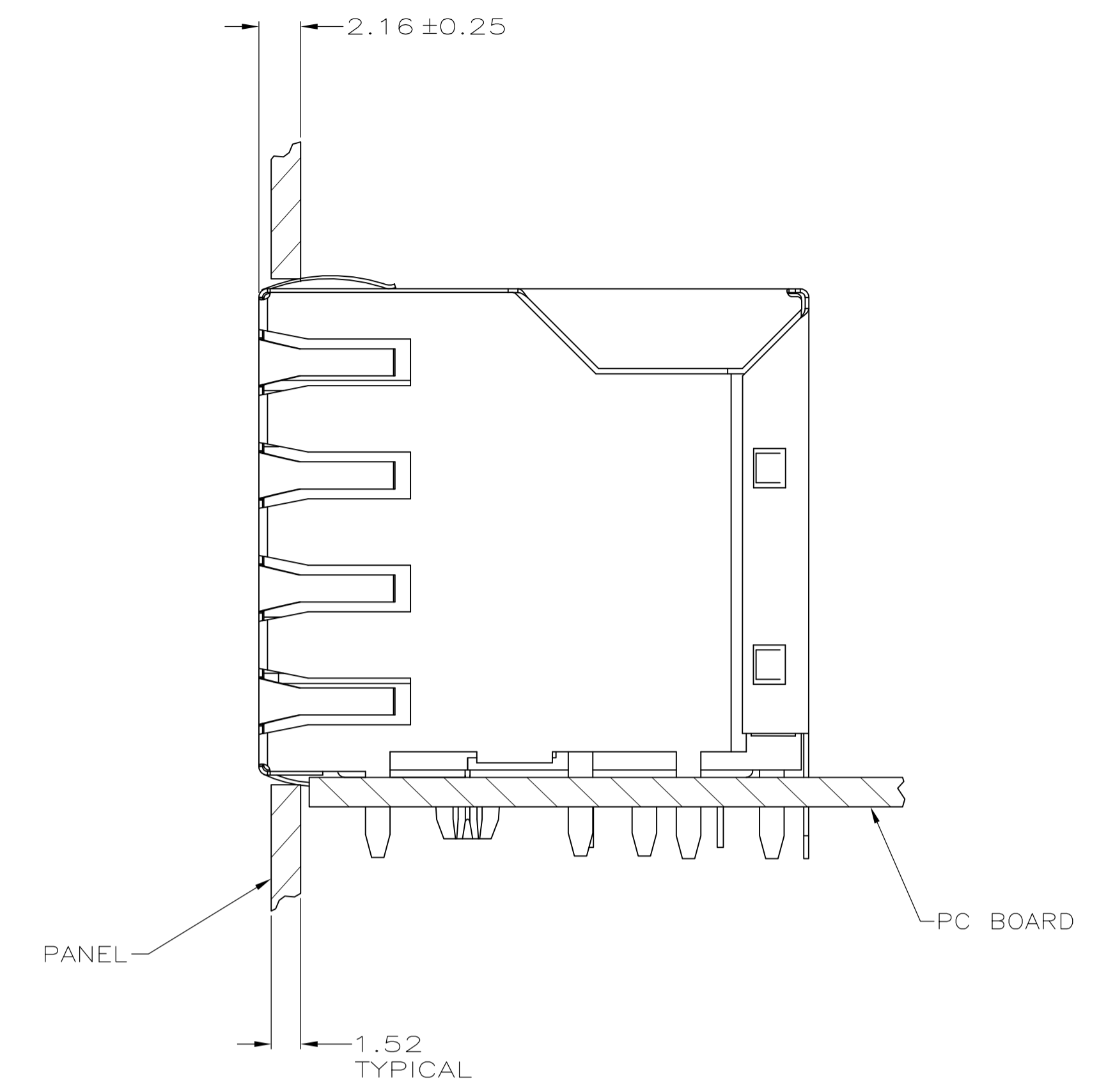
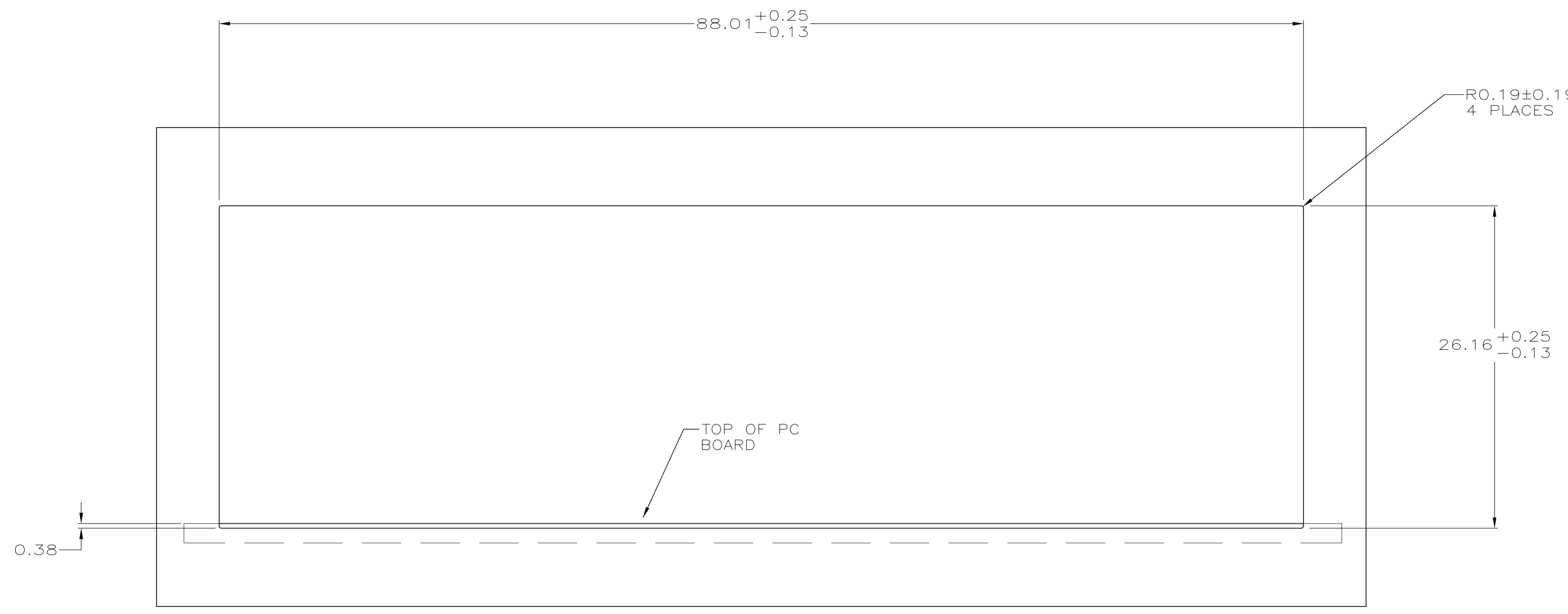


PARTIAL REAR VIEW

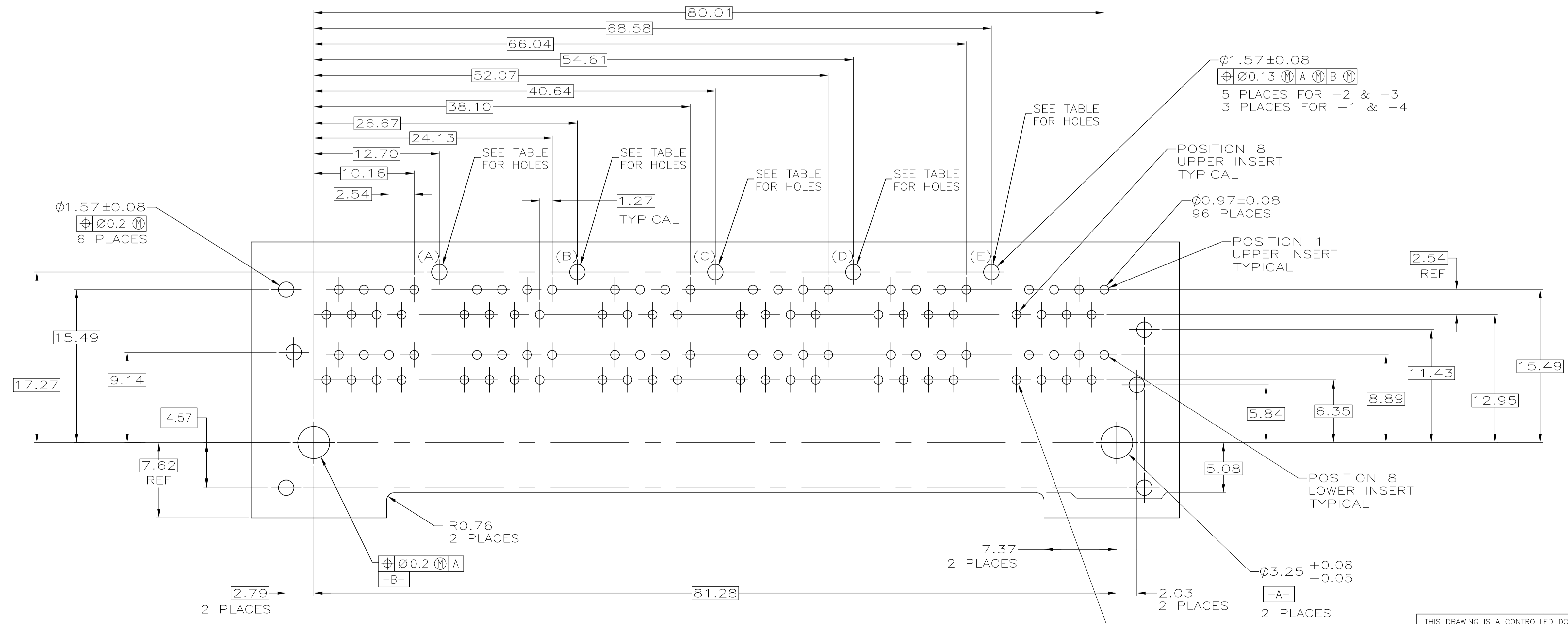
NICKEL	A,C,E	3	△ △ 6116000-4 △ △
NICKEL	A,B,C,D,E	5	6116000-3
NICKEL	A,B,C,D,E	5	6116000-2
NICKEL	A,C,E	3	△ △ 6116000-1
△ SHIELD PLATING	HOLES USED	NO. OF REAR TABS	PART NUMBER

THIS DRAWING IS A CONTROLLED DOCUMENT.

DIMENSIONS: mm	TOLERANCES UNLESS OTHERWISE SPECIFIED:	DWN: L. VARELA - 08/JUN/2005	APVD: S. FLICKINGER - 08/JUN/2005
0 PLC ± 0.13	1 PLC ± 0.13	CHK: J. WESTMAN	NAME: STACKED MODULAR JACK ASSEMBLY, 2x6 PORT, RJ45, SHIELDED, WAVE PANEL GROUNDS, CAT 5/GIGABIT ETHERNET
2 PLC ± 0.13	3 PLC ± 0.13	PRODUCT SPEC: 108-1163-2	SIZE: 114-2048
4 PLC ± 0.13	ANGLES ± -	APPLICATION SPEC: 114-2048	SCALE: 4:1
MATERIAL: △	FINISH: △	WEIGHT: -	RESTRICTED TO: -
CUSTOMER DRAWING		SIZE: A1	SCALE: 4:1 SHEET 1 OF 2 REV C



SUGGESTED PANEL CUTOUT DIMENSIONS



PC BOARD LAYOUT VIEWED FROM COMPONENT SIDE

THIS DRAWING IS A CONTROLLED DOCUMENT.		DIN L VARELA - DOCKS 08/JUN2005	TE Connectivity
		CHK J. WESTMAN 08/JUN2005	
DIMENSIONS: mm		APVD S. FLICKINGER 08/JUN2005	NAME
TOLERANCES UNLESS OTHERWISE SPECIFIED: 0. PLC ± 0.13 1. PLC ± 0.13 2. PLC ± 0.13 3. PLC ± 0.13 4. PLC ± 0.13 ANGLES ± -		PRODUCT SPEC 108-1163-2	STACKED MODULAR JACK ASSEMBLY, 2x6 PORT, RJ45, SHIELDED, WAVE PANEL GROUNDS, CAT 5/GIGABIT ETHERNET
		APPLICATION SPEC 114-2048	SIZE
MATERIAL 1		WEIGHT	SCALE 4:1
		CUSTOMER DRAWING	SHEET 2 OF 2
		DRAWING NO. A100779	REV C