



Chipsmall Limited consists of a professional team with an average of over 10 year of expertise in the distribution of electronic components. Based in Hongkong, we have already established firm and mutual-benefit business relationships with customers from,Europe,America and south Asia,supplying obsolete and hard-to-find components to meet their specific needs.

With the principle of “Quality Parts,Customers Priority,Honest Operation,and Considerate Service”,our business mainly focus on the distribution of electronic components. Line cards we deal with include Microchip,ALPS,ROHM,Xilinx,Pulse,ON,Everlight and Freescale. Main products comprise IC,Modules,Potentiometer,IC Socket,Relay,Connector.Our parts cover such applications as commercial,industrial, and automotives areas.

We are looking forward to setting up business relationship with you and hope to provide you with the best service and solution. Let us make a better world for our industry!



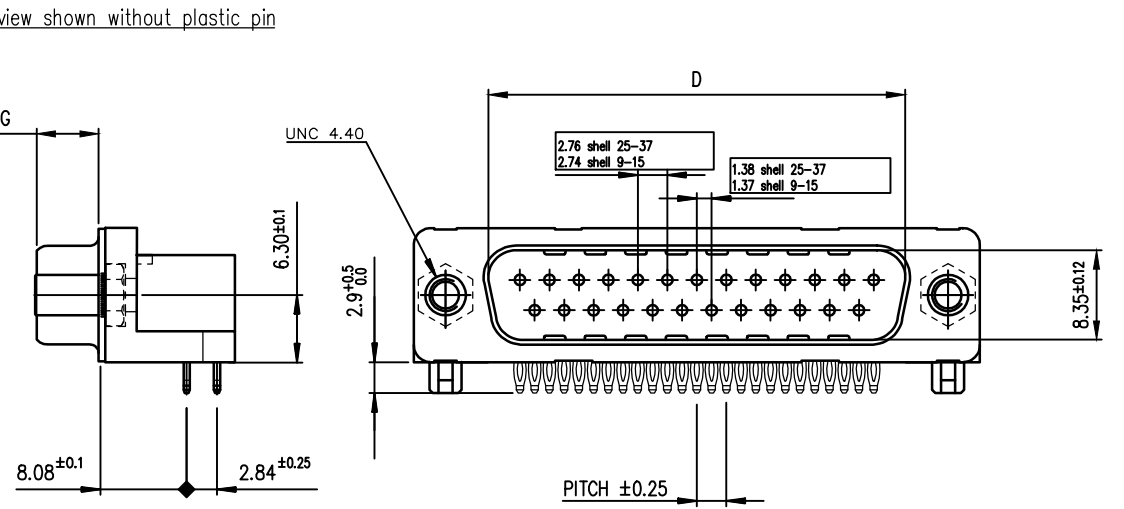
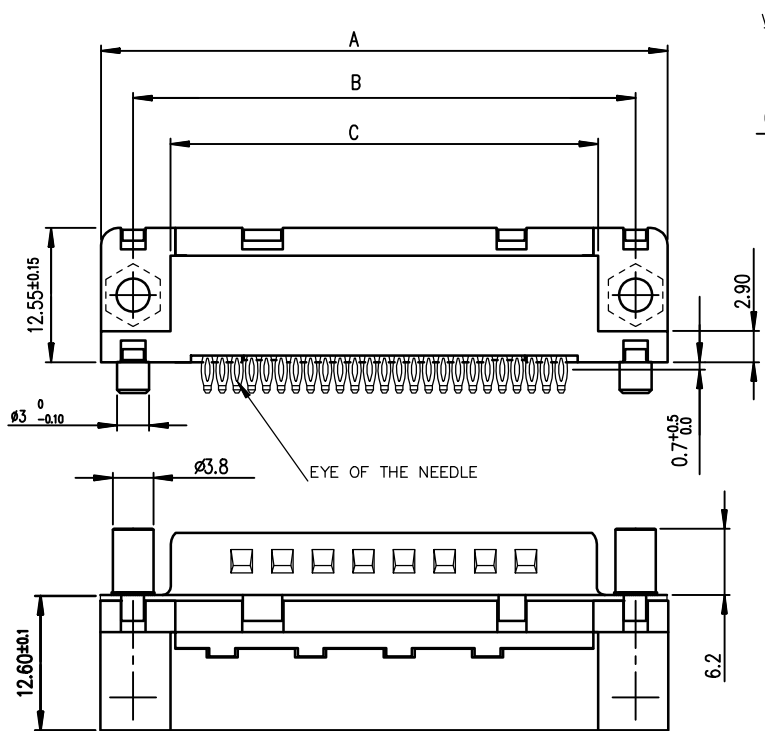
## Contact us

Tel: +86-755-8981 8866 Fax: +86-755-8427 6832

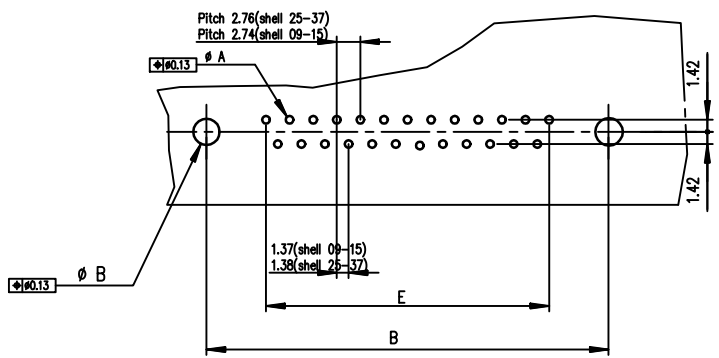
Email & Skype: info@chipsmall.com Web: www.chipsmall.com

Address: A1208, Overseas Decoration Building, #122 Zhenhua RD., Futian, Shenzhen, China



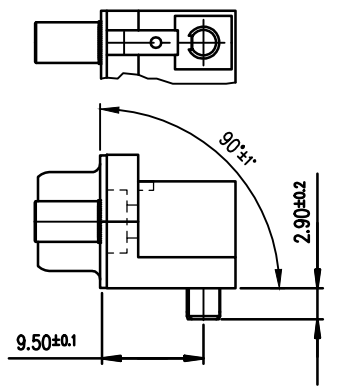


PC card drilling dimensions(after plating)  
(thickness 1.60 or 2.40±0.20mm)



SHELL	A±0.38	B±0.12	C±0.10	D +0.25	E±0.07	G	PART NUMBER	PART NUMBER
09	30.81	24.99	18.00	16.79	10.96	5.90 +0.15	D09P80C4PV00	D09P80C6PV00
15	39.14	33.32	26.32	25.12	19.18	5.90 +0.15	D15P80C4PV00	D15P80C6PV00
25	53.03	47.04	40.04	38.84	33.12	5.70 +0.25	D25P80C4PV00	D25P80C6PV00
37	69.32	63.50	56.50	55.30	49.68	5.70 +0.25	D37P80C4PV00	D37P80C6PV00
							Gold flash	0.76 > gold

Detail of plastic pin



GENERAL CHARACTERISTICS AND ROHS INFORMATIONS:  
SEE DRAWING C01-8646-0001

mat'l. code		surface		tolerance		projection		product family	
-		ISO 1302 ✓		ISO 406 ISO 1101				D-SUB	
ltr		date		tolerances unless otherwise specified		title		sheet 1 of 1 size	
E		2014/06/06		linear		MALE CONNECTOR DELTA-D US RIGHT ANGLED PRESS FIT		A3	
dr		PESSON		1995/10/27		scale 2:1		dwg no	
engr		MITHUN PAUL		2014/06/06				C01-8646-0407	
chr		ALIAS BABU		2014/06/06		type		Product Customer Drawing	
appd		BIJU K PAUL		2014/06/06					
sheet index		revision sheet		E					
		1							