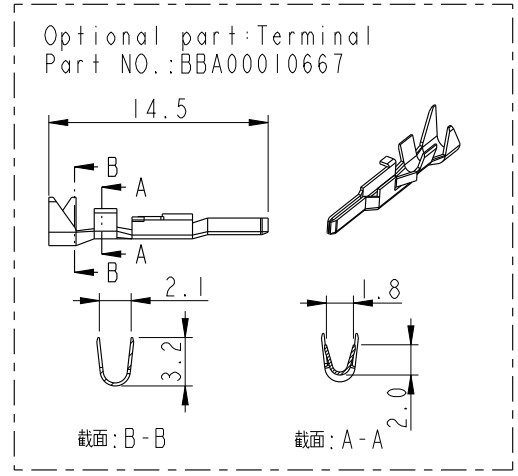
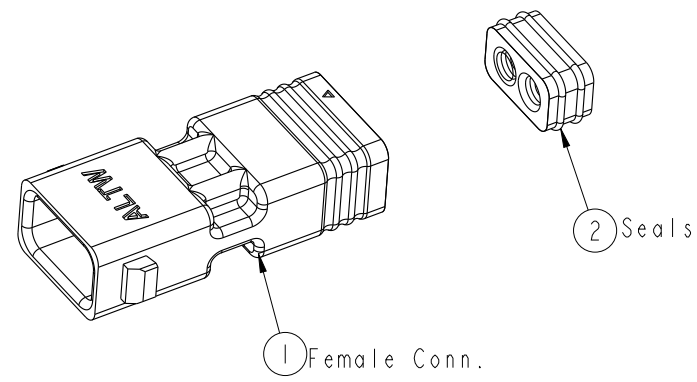
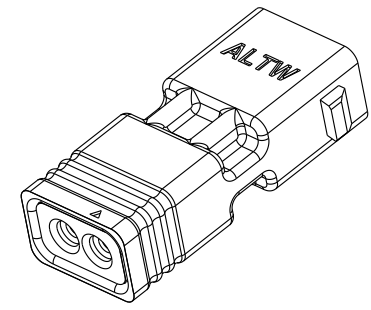
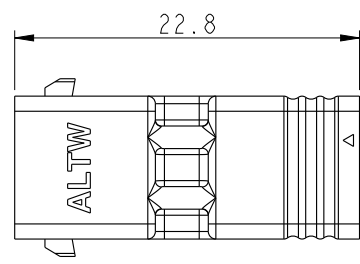
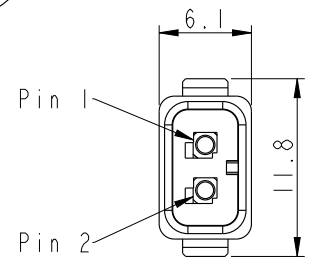


THIS DOCUMENT IS SUBJECT TO CHANGE WITHOUT NOTICE. IT IS CONFIDENTIAL AND A PROPERTY OF AMPHENOL LTW. DISCLOSURE TO THIRD PARTY HAS TO BE AUTHORIZED BY AMPHENOL LTW.

REV.	ECN NO.	DATE	SIGN	DESCRIPTION
A	Initial Release	2014/07/31	Cary	Change To Rev.A

ALTW
CONFIDENTIAL
2014-07-31
R&D DEPT.

ALTW
DCC. DEPT.
CONFIDENTIAL
2014.08.12
ISSUED



- Notes:
- * (CC) Important Dimension To Check.
 - * Waterproof Rate: IP68(mating).
IM Depth Of Water In 24 Hours.
 - * Housing: Thermoplastic, UL94V-0, Natural White.
 - * Gasket: Silicone, Gray.
 - * Seals: Silicone, Gray.
 - * Current Rating: 5A maximum.
 - * 適用電子線20AWG~22AWG
 - * Voltage Rating: 250V DC/AV maximum.
 - * Operating Temperature: -40~+105℃

UNIT: mm

TOLERANCE
±0.5mm

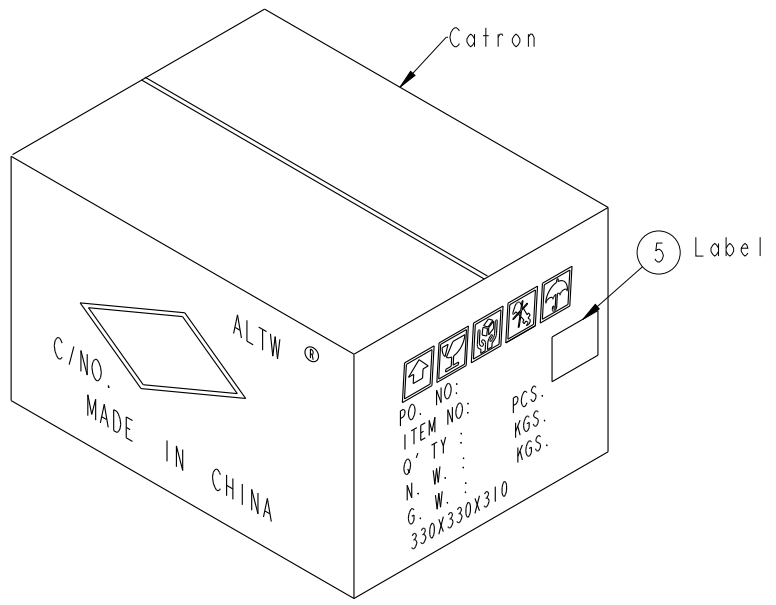
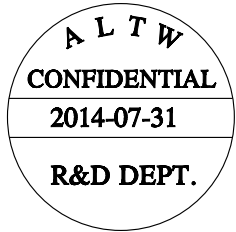
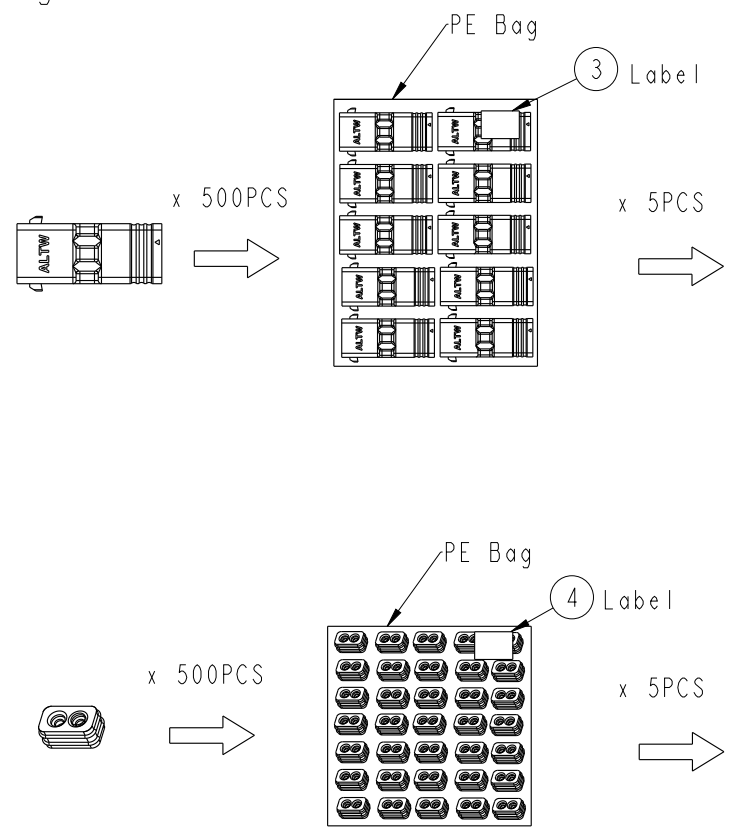
TITLE SSL1.2 2P F CONN. ASS'Y			
SCALE 2:1	SIZE A4	SHEET 1 OF 2	
REV. A	WC-REV. A.1	CC: Inspection item	

Amphenol LTW
安費諾亮泰企業股份有限公司

ITEM NO. SSL12-J2FJ0-000001	DRAWN BY Cary_liu	DATE 2014-07-31
DWG NO. SSL12-J2FJ0-000001	CHECKED BY Fisher	DATE 2014-07-31
CUSTOMER ALTW	APPROVED BY Jerry	DATE 2014-07-31

THIS DOCUMENT IS SUBJECT TO CHANGE WITHOUT NOTICE. IT IS CONFIDENTIAL AND A PROPERTY OF Amphenol LTW. DISCLOSURE TO THIRD PARTY HAS TO BE AUTHORIZED BY Amphenol LTW.

Packing



- QUANTITY
1. 2500Set Per Carton
 2. Net Weight: 2.3Kg/Carton.
 3. Gross Weight: 3.0Kg/Carton.

UNIT: mm TOLERANCE ±0.5mm	TITLE SSL1.2 2P F CONN. ASS'Y	
	SCALE 2:1	SIZE A4
	REV. A	WC-REV. A.1
		SHEET 2 OF 2
		☉: Inspection item

Amphenol LTW
安費諾亮泰企業股份有限公司

ITEM NO. SSL12-J2FJ0-000001	DRAWN BY Cary_liu	DATE 2014-07-31
DWG NO. SSL12-J2FJ0-000001	CHECKED BY Fisher	DATE 2014-07-31
CUSTOMER ALTW	APPROVED BY Jerry	DATE 2014-07-31