



# ATWINC3400-MR210CA

---

## IEEE® 802.11 b/g/n Network Controller with Integrated Bluetooth® Low Energy Module

---

### Introduction

---

The ATWINC3400-MR210CA is an IEEE 802.11 b/g/n RF/Baseband/Medium Access Control (MAC) network controller with Bluetooth Low Energy module. The ATWINC3400-MR210CA modules are Bluetooth 5.0 certified. This module is optimized for low power and high performance mobile applications. This module features small form factor with integrated Power Amplifier (PA), Low-Noise Amplifier (LNA), Transmit/Receive (T/R) switch (for Wi-Fi® and Bluetooth), Power Management Unit (PMU), and Chip Antenna. The ATWINC3400-MR210CA module requires a 32.768 kHz clock for Sleep operation.

The ATWINC3400-MR210CA module utilizes highly optimized IEEE 802.11 Bluetooth coexistence protocols, and provides Serial Peripheral Interface (SPI) to interface with the host controller.

### Features

---

#### Wi-Fi features:

- IEEE 802.11 b/g/n RF/PHY/MAC
- IEEE 802.11 b/g/n (1x1) with Single Spatial Stream, up to 72 Mbps PHY Rate in 2.4 GHz ISM Band
- Integrated Chip Antenna
- Superior Sensitivity and Range via Advanced PHY Signal Processing
- Advanced Equalization and Channel Estimation
- Advanced Carrier and Timing Synchronization
- Supports Soft-AP
- Supports IEEE 802.11 WEP, WPA, and WPA2
- Superior MAC Throughput through Hardware Accelerated Two-Level A-MSDU/A-MPDU Frame Aggregation and Block Acknowledgment
- On-Chip Memory Management Engine to Reduce the Host Load
- Operating Temperature Range from -40°C to +85°C
- Wi-Fi Alliance® Certified for Connectivity and Optimizations
  - ID: [WFA62065](#)
- Integrated On-Chip Microcontroller
- SPI Host Interface
- Integrated Flash Memory for Wi-Fi and Bluetooth System Software
- Low Leakage On-Chip Memory for State Variables
- Fast AP Re-Association (150 ms)
- On-Chip Network Stack to Offload MCU
  - Integrated network IP slack to minimize the host CPU requirements

- Network Features: Firmware Version 1:2:x
  - TCP, UDP, DHCP, ARP, HTTP, SSL, DNS, and SNTP

**Bluetooth features:**

- ATWINC3400-MR210CA Bluetooth Low Energy Certification (end product) QD ID [112092](#)
- Adaptive Frequency Hopping (AFH)
- Superior Sensitivity and Range

# Table of Contents

---

Introduction.....	1
Features.....	1
1. Ordering Information and Module Marking.....	5
2. Block Diagram.....	6
3. Pinout and Package Information.....	7
3.1. Package Description.....	10
4. Electrical Characteristics.....	11
4.1. Absolute Maximum Ratings.....	11
4.2. Recommended Operating Conditions.....	11
4.3. DC Characteristics.....	12
4.4. IEEE 802.11 b/g/n Radio Performance.....	12
4.5. Bluetooth Radio Performance.....	14
5. Power Management.....	17
5.1. Device States.....	17
5.2. Controlling Device States.....	17
5.3. Power-Up/Down Sequence.....	18
5.4. Digital I/O Pin Behavior During Power-Up Sequences.....	19
6. Clocking.....	21
6.1. Low-Power Clock.....	21
7. CPU and Memory Subsystem.....	22
7.1. Processor.....	22
7.2. Memory Subsystem.....	22
7.3. Nonvolatile Memory.....	22
8. WLAN Subsystem.....	24
8.1. MAC.....	24
8.2. PHY.....	25
8.3. Radio.....	25
9. Bluetooth Low Energy.....	27
10. External Interfaces.....	28
10.1. Interfacing with the Host Microcontroller.....	28
10.2. SPI Interface.....	29
10.3. UART Interface.....	31
10.4. I2C Slave Interface.....	32

11. Application Reference Design.....	34
11.1. Host Interface.....	34
12. Module Outline Drawings.....	36
13. Design Consideration.....	37
13.1. Module Placement and Routing Guidelines.....	37
13.2. Antenna Performance.....	38
13.3. Reflow Profile Information - TBD.....	40
13.4. Module Assembly Considerations.....	40
14. Regulatory Approval.....	41
14.1. United States.....	41
14.2. Canada.....	42
14.3. Europe.....	44
14.4. Other Regulatory Information.....	45
15. Reference Documentation.....	46
16. Document Revision History.....	47
The Microchip Web Site.....	48
Customer Change Notification Service.....	48
Customer Support.....	48
Microchip Devices Code Protection Feature.....	48
Legal Notice.....	49
Trademarks.....	49
Quality Management System Certified by DNV.....	50
Worldwide Sales and Service.....	51

### 1. Ordering Information and Module Marking

The following table provides the ordering details for the ATWINC3400-MR210CA module.

**Table 1-1. Ordering Details**

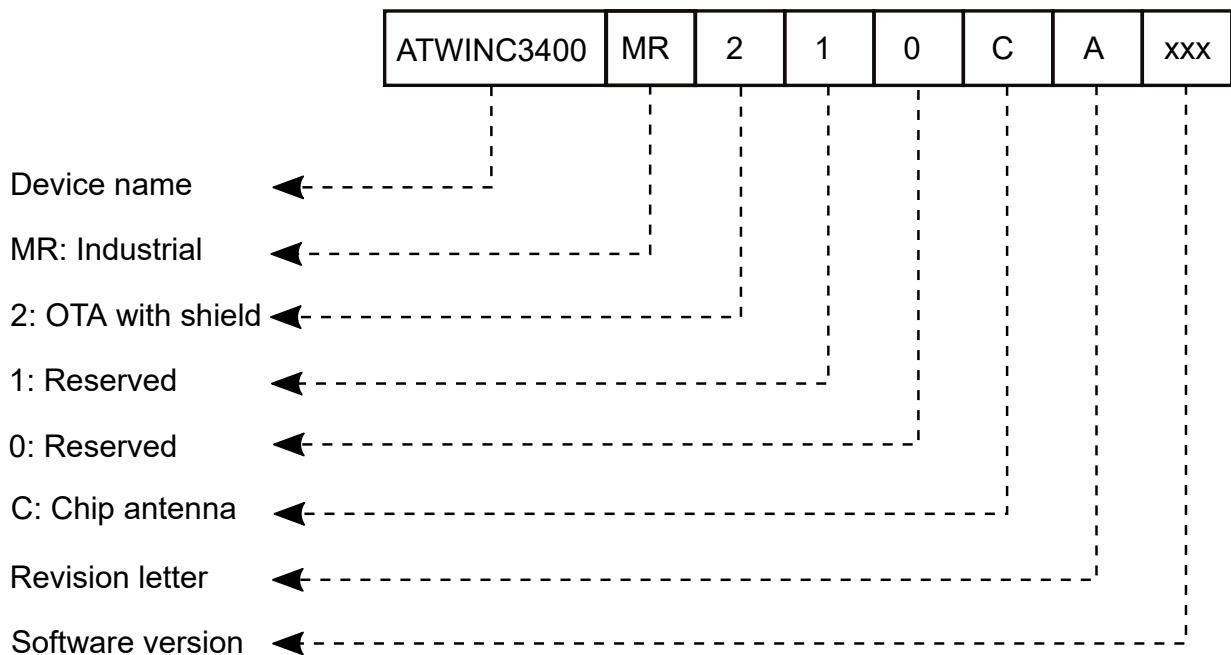
Model Number	Ordering Code	Package	Description	Regulatory Information
ATWINC3400-MR210CA	ATWINC3400-MR210CAxxx <sup>1</sup>	22.43 x 14.73 x 2.0 mm	Certified module with chip antenna	FCC, IC, CE

**Note:**

- 'xxx' in the preceding table and following figure denotes the software version. For example, at the time of publish the software is v1.22, so its equivalent order code is ATWINC3400-MR210CA122. The order code changes as per the software version. For more information on ordering code, refer to the [ATWINC3400 product page](#).

The following figure illustrates the ATWINC3400-MR210CA module marking information.

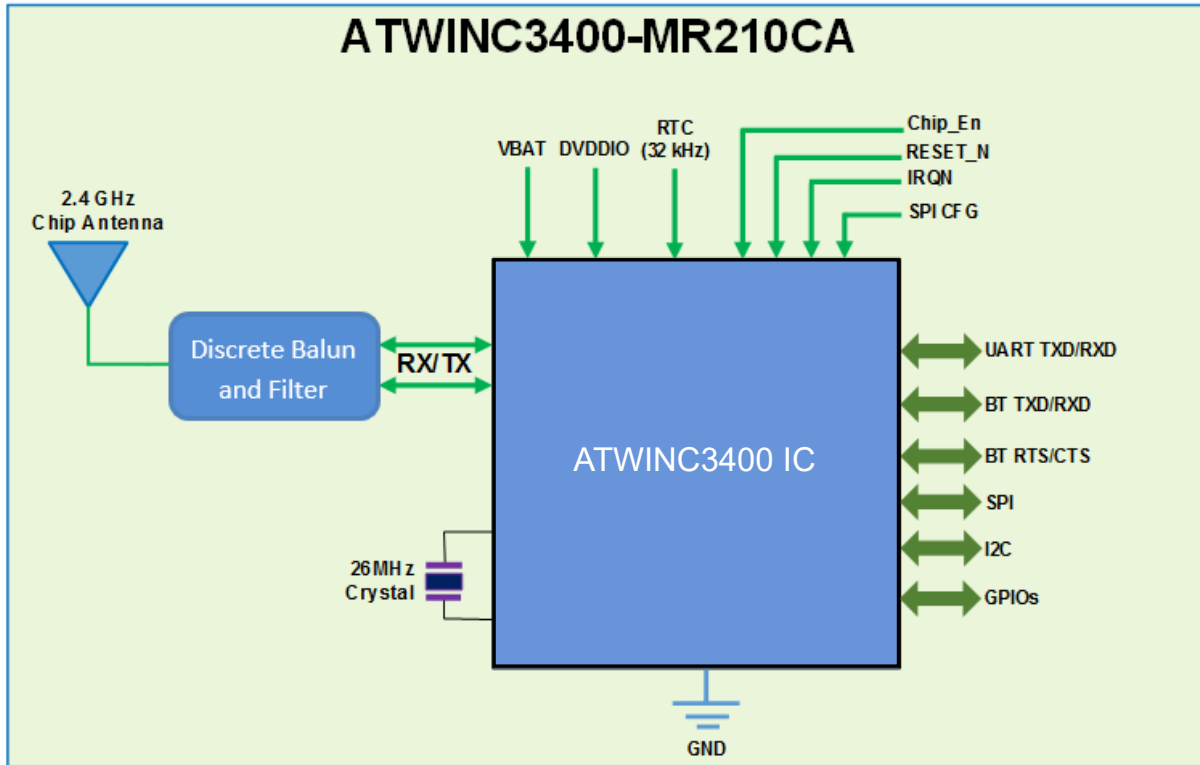
**Figure 1-1. Marking Information**



## 2. Block Diagram

The following figure shows the block diagram of the ATWINC3400-MR210CA module.

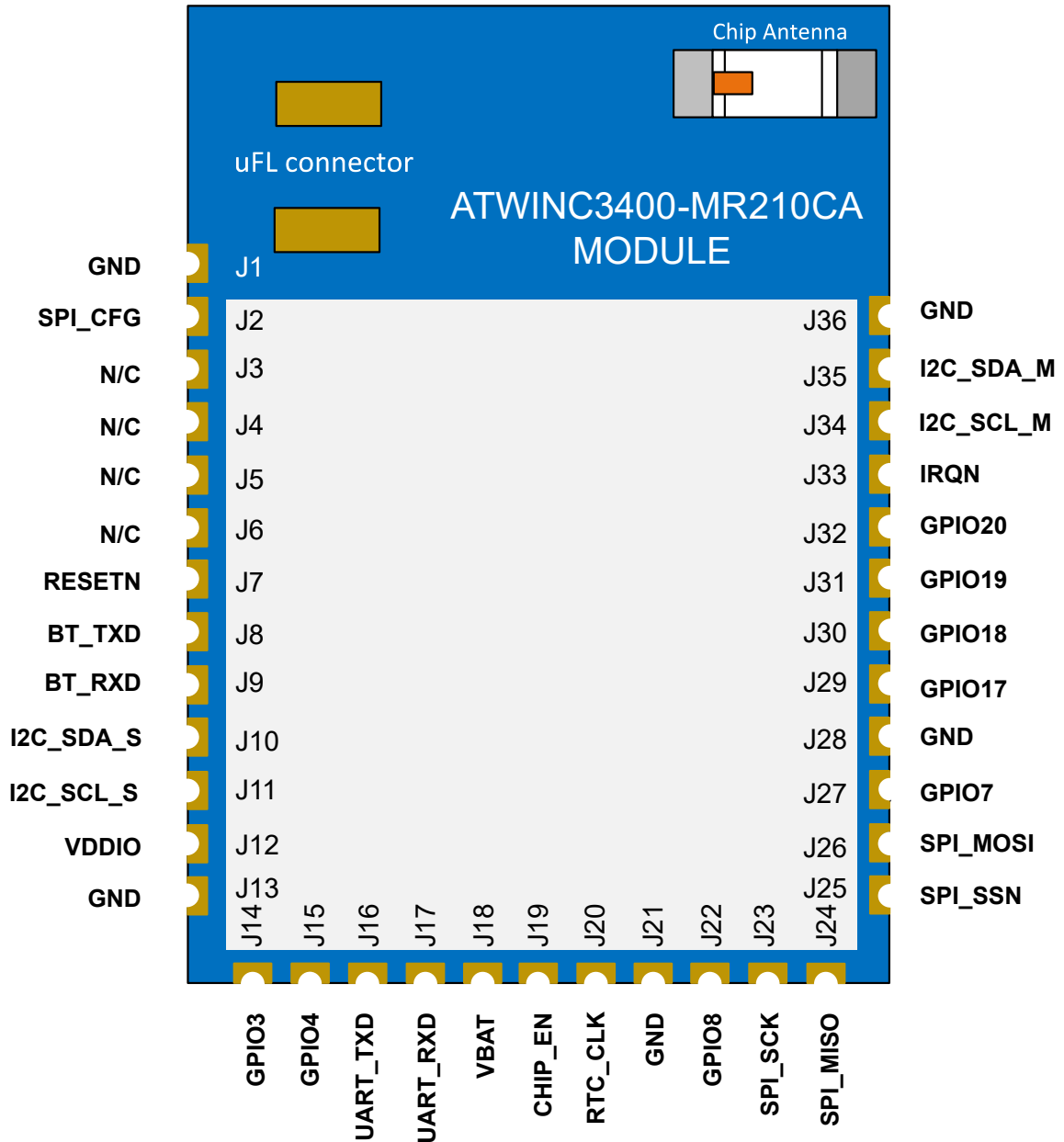
Figure 2-1. ATWINC3400-MR210CA Module Block Diagram



### 3. Pinout and Package Information

This package contains an exposed paddle that must be connected to the system board ground. The ATWINC3400-MR210CA module pin assignment is shown in following figure.

**Figure 3-1. ATWINC3400-MR210CA Module Pin Assignment**



The following table provides the ATWINC3400-MR210CA module pin description.

**Table 3-1. ATWINC3400-MR210CA Module Pin Description**

Pin #	Pin Name	Pin Type	Description
1	GND	GND	Ground pin.

# ATWINC3400-MR210CA

## Pinout and Package Information

Pin #	Pin Name	Pin Type	Description
2	SPI_CFG	Digital Input	Serial Peripheral Interface pin, which must be tied to VDDIO.
3	NC	-	No connection.
4	NC	-	No connection.
5	NC	-	No connection.
6	NC	-	No connection.
7	RESETN	Digital Input	<ul style="list-style-type: none"> <li>Active-low hard Reset pin.</li> <li>When the Reset pin is asserted low, the module is in the Reset state. When the Reset pin is asserted high, the module functions normally.</li> <li>This pin must connect to a host output that is low by default on power-up. If the host output is tri-stated, add a 1 MOhm pull down resistor to ensure a low level at power-up.</li> </ul>
8	BT_TXD	Digital I/O, Programmable pull up	Bluetooth UART transmit data output pin.
9	BT_RXD	Digital I/O, Programmable pull up	Bluetooth UART receive data input pin.
10	I2C_SDA_S	Digital I/O, Programmable pull up	<ul style="list-style-type: none"> <li>I2C Slave data pin.</li> <li>Used only for test purposes. It is recommended to add a test point for this pin.</li> </ul>
11	I2C_SCL_S	Digital I/O, Programmable pull up	<ul style="list-style-type: none"> <li>I2C Slave clock pin.</li> <li>Used only for test purposes. It is recommended to add a test point for this pin.</li> </ul>
12	VDDIO	Power	Digital I/O power supply.
13	GND	GND	Ground pin.
14	GPIO3	Digital I/O, Programmable pull up	General Purpose Input/Output pin.
15	GPIO4	Digital I/O, Programmable pull up	General Purpose Input/Output pin.
16	UART_TXD	Digital I/O, Programmable pull up	<ul style="list-style-type: none"> <li>Wi-Fi UART TxD output pin.</li> <li>Used only for debug development purposes. It is recommended to add a test point for this pin.</li> </ul>



# ATWINC3400-MR210CA

## Pinout and Package Information

Pin #	Pin Name	Pin Type	Description
17	UART_RXD	Digital I/O, Programmable pull up	<ul style="list-style-type: none"> <li>• Wi-Fi UART RxD input pin.</li> <li>• Used only for debug development purposes. It is recommended to add a test point for this pin.</li> </ul>
18	VBAT	Power	Power supply pin for DC/DC converter and PA.
19	CHIP_EN	Digital Input	<ul style="list-style-type: none"> <li>• PMU enable pin.</li> <li>• When the CHIP_EN pin is asserted high, the module is enabled. When the CHIP_EN pin is asserted low, the module is disabled or put into Power-Down mode.</li> <li>• Connect to a host output that is low by default at power-up. If the host output is tri-stated, add a 1 MOhm pull down resistor if necessary to ensure a low level at power-up.</li> </ul>
20	RTC_CLK	Digital I/O, Programmable pull up	<ul style="list-style-type: none"> <li>• RTC Clock input pin.</li> <li>• This pin must connect to a 32.768 kHz clock source.</li> </ul>
21	GND	GND	Ground pin.
22	GPIO8	Digital I/O, Programmable pull up	General Purpose Input/Output pin.
23	SPI_SCK	Digital I/O, Programmable pull up	SPI clock pin.
24	SPI_MISO	Digital I/O, Programmable pull up	SPI MISO (Master In Slave Out) pin.
25	SPI_SSN	Digital I/O, Programmable pull up	Active-low SPI SSN (Slave Select) pin.
26	SPI_MOSI	Digital I/O, Programmable pull up	SPI MOSI (Master Out Slave In) pin.
27	GPIO7	Digital I/O, Programmable pull up	General Purpose Input/Output pin.
28	GND	GND	Ground pin.
29	GPIO17	Digital I/O, Programmable pull up	General Purpose Input/Output pin.
30	GPIO18	Digital I/O, Programmable pull up	General Purpose Input/Output pin.
31	GPIO19	Digital I/O, Programmable pull up	General Purpose Input/Output pin.

# ATWINC3400-MR210CA

## Pinout and Package Information

Pin #	Pin Name	Pin Type	Description
32	GPIO20	Digital I/O, Programmable pull up	General Purpose Input/Output pin.
33	IRQN	Digital output, Programmable pull up	<ul style="list-style-type: none"> <li>ATWINC3400-MR210CA module host interrupt request output pin.</li> <li>This pin must connect to a host interrupt pin.</li> </ul>
34	I2C_SCL_M	Digital I/O, Programmable pull up	I2C Master clock pin.
35	I2C_SDA_M	Digital I/O, Programmable pull up	I2C Master data pin.
36	GND	GND	Ground pin.
37	PADDLE VSS	Power	Connect to system board ground.

### 3.1 Package Description

The following table provides the ATWINC3400-MR210CA module package dimensions.

**Table 3-2. ATWINC3400-MR210CA Module Package Information**

Parameter	Value	Unit
Pad count	36	-
Package size	22.43 x 14.73	mm
Total thickness	2.09	
Pad pitch	1.20	
Pad width	0.81	
Exposed pad size	4.4 x 4.4	

### 4. Electrical Characteristics

This chapter provides an overview of the electrical characteristics of the ATWINC3400-MR210CA module.

#### 4.1 Absolute Maximum Ratings

The following table provides the absolute maximum ratings for the ATWINC3400-MR210CA module.

**Table 4-1. ATWINC3400-MR210CA Module Absolute Maximum Ratings**

Symbol	Parameter	Min.	Max.	Unit
VDDIO	I/O supply voltage	-0.3	5.0	V
VBAT	Battery supply voltage	-0.3	5.0	
V <sub>IN</sub>	Digital input voltage	-0.3	VDDIO	
V <sub>AIN</sub>	Analog input voltage	-0.3	1.5	
V <sub>ESDHBM</sub>	Electrostatic discharge Human Body Model (HBM)	-1000, -2000 (see notes below)	+1000, +2000 (see notes below)	
T <sub>A</sub>	Storage temperature	-65	150	°C
-	Junction temperature	-	125	
-	RF input power	-	23	dBm

1. V<sub>IN</sub> corresponds to all the digital pins.
2. For V<sub>ESDHBM</sub>, each pin is classified as Class 1, or Class 2, or both:
  - 2.1. The Class 1 pins include all the pins (both analog and digital).
  - 2.2. The Class 2 pins include all digital pins only.
  - 2.3. V<sub>ESDHBM</sub> is ±1 kV for Class 1 pins. V<sub>ESDHBM</sub> is ± 2 kV for Class 2 pins.



Stresses beyond those listed under “Absolute Maximum Ratings” cause permanent damage to the device. This is a stress rating only. The functional operation of the device at those or any other conditions above those indicated in the operation listings of this specification is not implied. Exposure to maximum rating conditions for extended periods affects the device reliability.

#### 4.2 Recommended Operating Conditions

The following table provides the recommended operating conditions for the ATWINC3400-MR210CA module.

**Table 4-2. ATWINC3400-MR210CA Module Recommended Operating Conditions**

Symbol	Parameter	Min.	Typ.	Max.	Units
VDDIO	I/O supply voltage <sup>(1)</sup>	2.7	3.3	3.6	V
VBAT	Battery supply voltage <sup>(2)(3)</sup>	3.0	3.6	4.2	V
-	Operating temperature	-40	-	85	°C

**Note:**

1. I/O supply voltage is applied to the VDDIO pin.
2. Battery supply voltage is applied to the VBAT pin.
3. The ATWINC3400-MR210CA module is functional across this range of voltages; however, optimal RF performance is guaranteed for VBAT in the range  $\geq 3.0V$  VBAT  $\leq 4.2V$ .

### 4.3 DC Characteristics

The following table provides the DC characteristics for the ATWINC3400-MR210CA module digital pads.

**Table 4-3. DC Electrical Characteristics**

Symbol	Parameter	Min	Typ	Max	Unit
V <sub>IL</sub>	Input Low Voltage	-0.30	-	0.60	V
V <sub>IH</sub>	Input High Voltage	VDDIO-0.60	-	VDDIO+0.30	
V <sub>OL</sub>	Output Low Voltage	-	-	0.45	
V <sub>OH</sub>	Output High Voltage	VDDIO-0.50	-	-	
-	Output Load Capacitance	-	-	20	pF
-	Digital Input Load Capacitance	-	-	6	

### 4.4 IEEE 802.11 b/g/n Radio Performance

#### 4.4.1 Receiver Performance

The receiver performance is tested under following conditions:

- VBAT = 3.3V
- VDDIO = 3.3V
- Temp = 25°C
- Measured after RF matching network

The following table provides the receiver performance characteristics for the ATWINC3400-MR210CA module.

**Table 4-4. IEEE 802.11 Receiver Performance Characteristics**

Parameter	Description	Min.	Typ.	Max.	Unit
Frequency	-	2,412	-	2,472	MHz
Sensitivity 802.11b	1 Mbps DSSS	-	-95.0	-	dBm
	2 Mbps DSSS	-	-94.0	-	
	5.5 Mbps DSSS	-	-90.0	-	
	11 Mbps DSSS	-	-86.0	-	
Sensitivity 802.11g	6 Mbps OFDM	-	-90.0	-	dBm
	9 Mbps OFDM	-	-89.0	-	
	12 Mbps OFDM	-	-87.0	-	
	18 Mbps OFDM	-	-85.0	-	
	24 Mbps OFDM	-	-82.0	-	
	36 Mbps OFDM	-	-79.0	-	
	48 Mbps OFDM	-	-75.0	-	
	54 Mbps OFDM	-	-73.0	-	
Sensitivity 802.11n (BW=20 MHz, 800ns GI)	MCS 0	-	-89.0	-	dBm
	MCS 1	-	-87.0	-	
	MCS 2	-	-84.0	-	
	MCS 3	-	-82.0	-	
	MCS 4	-	-78.0	-	
	MCS 5	-	-75.0	-	
	MCS 6	-	-73.0	-	
	MCS 7	-	-71.0	-	
Maximum receive signal level	1-11 Mbps DSSS	-	0	-	dBm
	6-54 Mbps OFDM	-	0	-	
	MCS 0 - 7 (800ns GI)	-	0	-	
Adjacent channel rejection	1 Mbps DSSS (30 MHz offset)	-	50	-	dB
	11 Mbps DSSS (25 MHz offset)	-	43	-	
	6 Mbps OFDM (25 MHz offset)	-	40	-	
	54 Mbps OFDM (25 MHz offset)	-	25	-	
	MCS 0 – 20 MHz BW (25 MHz offset)	-	40	-	
	MCS 7 – 20 MHz BW (25 MHz offset)	-	20	-	

### 4.4.2 Transmitter Performance

The transmitter performance is tested under following conditions:

- VBAT = 3.3V
- VDDIO = 3.3V
- Temp = 25°C

The following table provides the transmitter performance characteristics for the ATWINC3400-MR210CA module.

**Table 4-5. IEEE 802.11 Transmitter Performance Characteristics**

Parameter	Description	Minimum	Typical	Max.	Unit
Frequency	-	2,412	-	2,472	MHz
Output power	802.11b 1 Mbps	-	16.7 <sup>(1)</sup>	-	dBm
	802.11b 11 Mbps	-	17.5 <sup>(1)</sup>	-	
	802.11g OFDM 6 Mbps	-	18.3 <sup>(1)</sup>	-	
	802.11g OFDM 54 Mbps	-	13.0 <sup>(1)</sup>	-	
	802.11n HT20 MCS 0 (800ns GI)	-	17.5 <sup>(1)</sup>	-	
	802.11n HT20 MCS 7 (800ns GI)	-	12.5 <sup>(1)(2)</sup>	-	
Tx power accuracy	-	-	±1.5 <sup>(3)</sup>	-	dB
Carrier suppression	-	-	30.0	-	dBc
Harmonic output power (Radiated, Regulatory mode)	2 <sup>nd</sup>	-	-	-41	dBm/MHz
	3 <sup>rd</sup>	-	-	-41	

**Note:**

1. Measured at IEEE 802.11 specification compliant EVM/Spectral mask.
2. Typical output power shall be 10 dBm only for channel-10 (2.457 GHz). Values mentioned in the preceding table are applicable for all the other channels.
3. Measured after RF matching network.
4. Operating temperature range is -40°C to +85°C. RF performance guaranteed at room temperature of 25°C with a 2-3dB change at boundary conditions.
5. With respect to Tx power, different (higher/lower) RF output power settings may be used for specific antennas and/or enclosures, in which case re-certification may be required.
6. The availability of some specific channels and/or operational frequency bands are country-dependent and should be programmed at the host product factory to match the intended destination. Regulatory bodies prohibit exposing the settings to the end user. This requirement needs to be taken care of via host implementation.

### 4.5 Bluetooth Radio Performance

### 4.5.1 Receiver Performance

The receiver performance is tested under following conditions:

- VBAT = 3.3V
- VDDIO = 3.3V
- Temp: 25°C
- Measured after RF matching network

The following table provides the Bluetooth receiver performance characteristics for the ATWINC3400-MR210CA module.

**Table 4-6. Bluetooth Receiver Performance Characteristics**

Parameter	Description	Min.	Typ.	Max.	Unit
Frequency	-	2,402	-	2,480	MHz
Sensitivity (ideal Tx)	Bluetooth Low Energy (GFSK)	-	-92.5	-	dBm
Maximum receive signal level	Bluetooth Low Energy (GFSK)	-	-2	-	
Interference performance (Bluetooth Low Energy)	Co-channel	-	9	-	dB
	adjacent + 1 MHz	-	-4	-	
	adjacent - 1 MHz	-	-2	-	
	adjacent + 2 MHz(image frequency)	-	-24	-	
	adjacent - 2 MHz	-	-25	-	
	adjacent + 3 MHz (adjacent to image)	-	-27	-	
	adjacent - 3 MHz	-	-27	-	
	adjacent + 4 MHz	-	-28	-	
	adjacent - 4 MHz	-	-27	-	
	adjacent +5 MHz	-	-27	-	
	adjacent - 5 MHz	-	-27	-	

### 4.5.2 Transmitter Performance

The transmitter performance is tested under following conditions:

- VBAT = 3.3V
- VDDIO = 3.3V
- Temp: 25°C
- Measured after RF matching network.

The following table provides the Bluetooth transmitter performance characteristics for the ATWINC3400-MR210CA module.

**Table 4-7. Bluetooth Transmitter Performance Characteristics**

Parameter	Description	Min.	Typ.	Max.	Unit
Frequency	-	2,402	-	2,480	MHz
Output power	Bluetooth Low Energy (GFSK)	-	3.3	3.8	dBm
In-band spurious emission (Bluetooth Low Energy)	N+2 (Image frequency)	-	-33	-	
	N + 3 (Adjacent to image frequency)	-	-32	-	
	N-2	-	-48	-	
	N-3	-	-47	-	



## 5. Power Management

### 5.1 Device States

The ATWINC3400-MR210CA module has multiple device states, based on the state of the IEEE 802.11 and Bluetooth subsystems. It is possible for both subsystems to be active at the same time. To simplify the device power consumption breakdown, the following basic states are defined. One subsystem can be active at a time:

- WiFi\_ON\_Transmit – Device actively transmits IEEE 802.11 signal
- WiFi\_ON\_Receive – Device actively receives IEEE 802.11 signal
- BT\_ON\_Transmit – Device actively transmits Bluetooth signal
- BT\_ON\_Receive – Device actively receives Bluetooth signal
- Doze – Device is powered on but it does not actively transmit or receive data
- Power\_Down – Device core supply is powered off

### 5.2 Controlling Device States

The following table shows different device states and their power consumption for the ATWINC3400-MR210CA. The device states can be switched using the following:

- CHIP\_EN – Module pin (pin 19) enables or disables the DC/DC converter
- VDDIO – I/O supply voltage from external supply

In the ON states, VDDIO is ON and CHIP\_EN is high (at VDDIO voltage level). To change from the ON states to Power\_Down state, connect the RESETN and CHIP\_EN pin to logic low (GND) by following the power-down sequence mentioned in [Figure 5-1](#). When VDDIO is OFF and CHIP\_EN is low, the chip is powered off with no leakage.

**Table 5-1. Device States Current Consumption**

Device State	Code Rate	Output Power (dBm)	Current Consumption <sup>(1)</sup>	
			I <sub>VBAT</sub>	I <sub>VDDIO</sub>
ON_WiFi_Transmit	802.11b 1 Mbps	16.7	271 mA	24 mA
	802.11b 11 Mbps	17.5	265 mA	24 mA
	802.11g 6 Mbps	18.3	275 mA	24 mA
	802.11g 54 Mbps	13.0	235 mA	24 mA
	802.11n MCS 0	17.5	272 mA	24 mA
	802.11n MCS 7	12.5	232 mA	24 mA

Device State	Code Rate	Output Power (dBm)	Current Consumption <sup>(1)</sup>	
			I <sub>VBAT</sub>	I <sub>VDDIO</sub>
ON_WiFi_Receive	802.11b 1 Mbps	N/A	63.9 mA	23.7 mA
	802.11b 11 Mbps	N/A	63.9 mA	23.7 mA
	802.11g 6 Mbps	N/A	63.9 mA	23.7 mA
	802.11g 54 Mbps	N/A	63.9 mA	23.7 mA
	802.11n MCS 0	N/A	63.9 mA	23.7 mA
	802.11n MCS 7	N/A	63.9 mA	23.7 mA
ON_BT_Transmit	BLE 1 Mbps	3.3	79.37 mA	23.68 mA
ON_BT_Receive	BLE 1 Mbps	N/A	51.36 mA	23.68 mA
Doze (Bluetooth Low Energy Idle)	N/A	N/A	53 mA <sup>(2)</sup>	
Doze (Bluetooth Low Energy Low Power)	N/A	N/A	1 mA <sup>(2)</sup>	
Power_Down	N/A	N/A	10.5 uA <sup>(2)</sup>	

**Note:**

1. Conditions: VBAT = 3.3V, VDDIO = 3.3V, at 25°C.
2. Current consumption mentioned for these states is the sum of current consumed in VDDIO and VBAT voltage rails.

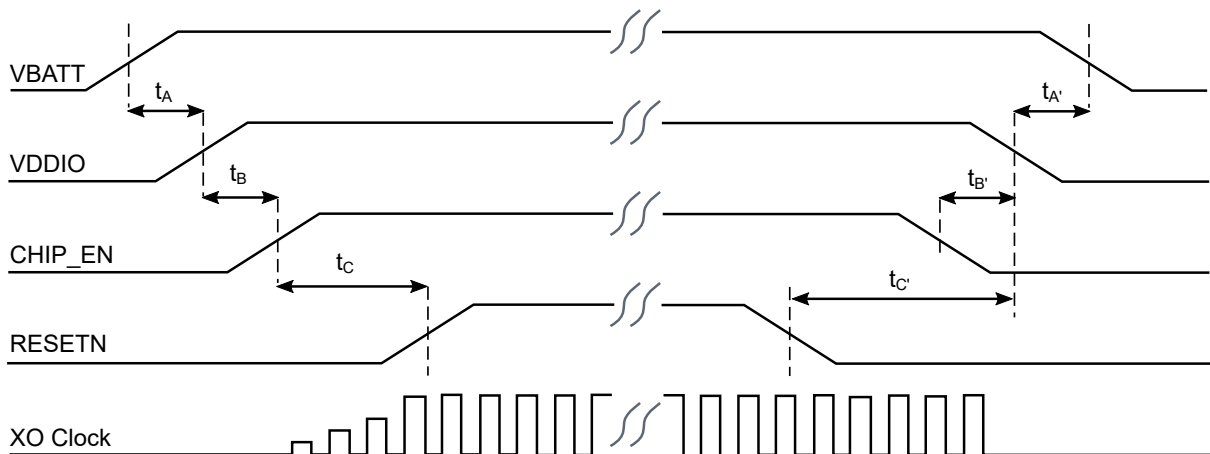
When power is not supplied to the device (DC/DC converter output and VDDIO are OFF, at ground potential), voltage cannot be applied to the ATWINC3400-MR210CA module pins because each pin contains an ESD diode from the pin to supply. This diode turns on when voltage higher than one diode-drop is supplied to the pin.

If voltage must be applied to the signal pads when the chip is in a low-power state, the VDDIO supply must be ON, so the Power\_Down state must be used. Similarly, to prevent the pin-to-ground diode from turning ON, do not apply voltage that is more than one diode-drop below the ground to any pin.

### 5.3 Power-Up/Down Sequence

The following figure illustrates the power-up/down sequence for the ATWINC3400-MR210CA module.

**Figure 5-1. Power-Up/Down Sequence**



The following table provides power-up/down sequence timing parameters.

**Table 5-2. Power-Up/Down Sequence Timing**

Parameter	Min.	Max.	Units	Description	Notes
$t_A$	0	-	ms	VBAT rise to VDDIO rise	VBAT and VDDIO can rise simultaneously or connected together. VDDIO must not rise before VBAT.
$t_B$	0	-	ms	VDDIO rise to CHIP_EN rise	CHIP_EN must not rise before VDDIO. CHIP_EN must be driven high or low and must not be left floating.
$t_C$	5	-	ms	CHIP_EN rise to RESETN rise	This delay is required to stabilize the XO clock before RESETN removal. RESETN must be driven high or low and must not be left floating.
$t_{A'}$	0	-	ms	VDDIO fall to VBAT fall	VBAT and VDDIO fall simultaneously or connected together. VBAT must not fall before VDDIO.
$t_{B'}$	0	-	ms	CHIP_EN fall to VDDIO fall	VDDIO must not fall before CHIP_EN. CHIP_EN and RESETN must fall simultaneously.
$t_{C'}$	0	-	ms	RESETN fall to VDDIO fall	VDDIO must not fall before RESETN. RESETN and CHIP_EN fall simultaneously.

## 5.4 Digital I/O Pin Behavior During Power-Up Sequences

The following table represents the digital I/O pin states corresponding to the device power modes.

**Table 5-3. Digital I/O Pin Behavior in Different Device States**

Device State	VDDIO	CHIP_EN	RESET_N	Output Driver	Input Driver	Pull Up/Down Resistor (96 kOhm)
Power_Down: core supply OFF	High	Low	Low	Disabled (Hi-Z)	Disabled	Disabled
Power-On Reset: core supply and hard reset ON	High	High	Low	Disabled (Hi-Z)	Disabled	Enabled
Power-On Default: core supply ON, device out of reset and not programmed	High	High	High	Disabled (Hi-Z)	Enabled	Enabled
On_Doze/ On_Transmit/ On_Receive: core supply ON, device programmed by firmware	High	High	High	Programmed by firmware for each pin: enabled or disabled	Opposite of Output Driver state	Programmed by firmware for each pin: enabled or disabled

## **6. Clocking**

### **6.1 Low-Power Clock**

The ATWINC3400-MR210CA module requires an external 32.768 kHz clock to be supplied at the module pin 20. This clock is used during the sleep operation. The frequency accuracy of this external clock must be within  $\pm 200$  ppm.

## **7. CPU and Memory Subsystem**

### **7.1 Processor**

The ATWINC3400-MR210CA module has two Cortus APS3 32-bit processors, one is used for Wi-Fi and the other is used for Bluetooth. In IEEE 802.11 mode, the processor performs many of the MAC functions, including but not limited to: association, authentication, power management, security key management, and MSDU aggregation/de-aggregation. In addition, the processor provides flexibility for various modes of operation, such as Station (STA) and Access Point (AP) modes. In Bluetooth mode, the processor handles multiple tasks of the Bluetooth protocol stack.

### **7.2 Memory Subsystem**

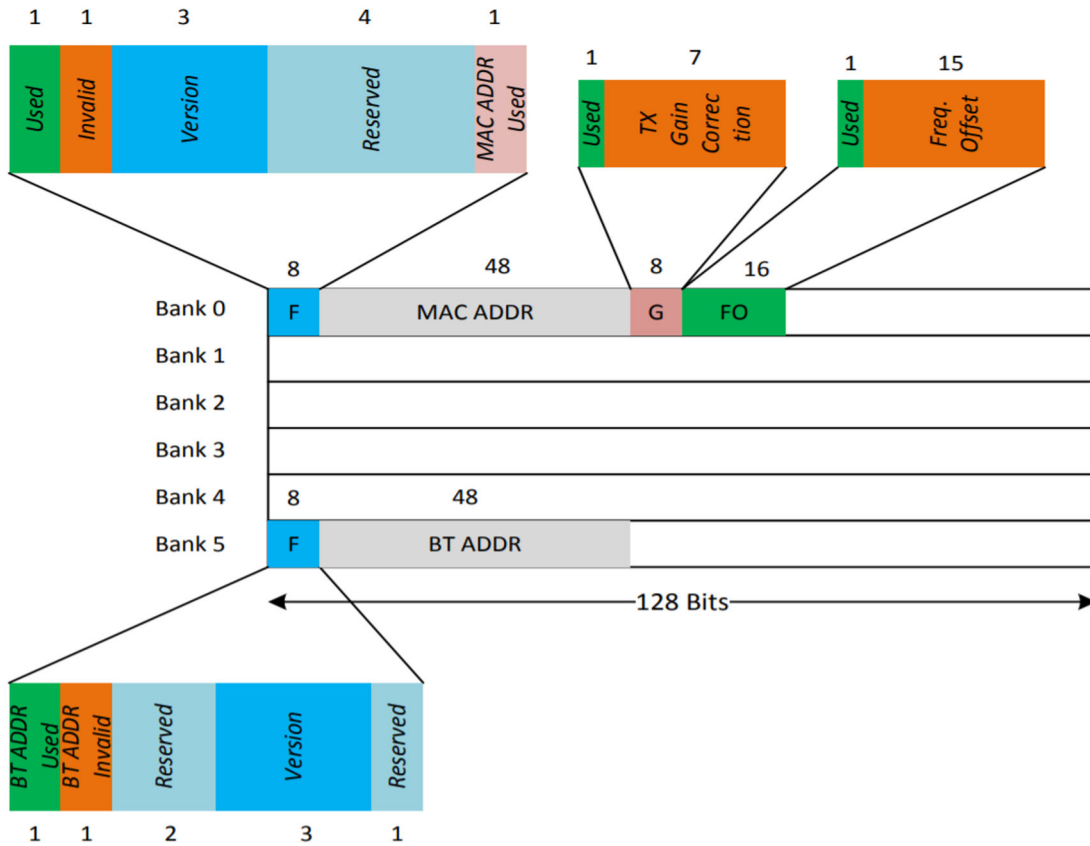
The APS3 core uses a 256 KB instruction/boot ROM (160 KB for IEEE 802.11 and 96 KB for Bluetooth) along with a 420 KB instruction RAM (128 KB for IEEE 802.11 and 292 KB for Bluetooth), and a 128 KB data RAM (64 KB for IEEE 802.11 and 64 KB for Bluetooth). In addition, the device uses a 160 KB shared/exchange RAM (128 KB for IEEE 802.11 and 32 KB for Bluetooth), accessible by the processor and MAC, which allows the processor to perform various data management tasks on the Tx and Rx data packets.

### **7.3 Nonvolatile Memory**

The ATWINC3400-MR210CA module has 768 bits of nonvolatile eFuse memory that can be read by the CPU after device reset. This nonvolatile One-Time-Programmable (OTP) memory can be used to store customer-specific parameters, such as the 802.11 MAC address and Bluetooth address; and various calibration information such as Tx power, crystal frequency offset, and other software-specific configuration parameters. The eFuse is partitioned into six 128-bit banks. The bit map of the first and last banks is shown in the following figure. The purpose of the first 80 bits in bank 0 and the first 56 bits in bank 5 is fixed, and the remaining bits are general-purpose software dependent bits, reserved for future use. Currently, the Bluetooth address is derived from the Wi-Fi MAC address ( $BT\_ADDR=MAC\_ADDR + 1$ ). This eliminates the need to program the first 56 bits in bank 5. Since each bank and each bit can be programmed independently, this allows for several updates of the device parameters following the initial programming. For example, if the MAC address has to be changed, Bank 1 has to be programmed with the new MAC address along with the values of Tx gain correction and frequency offset if they are used and programmed in the Bank 0. The contents of Bank 0 have to be invalidated in this case by programming the Invalid bit in the Bank 0. This will allow the firmware to use the MAC address from Bank 1.

By default, ATWINC3400-MR210CA modules are programmed with the MAC address and the frequency offset bits of Bank 0.

Figure 7-1. ATWINC3400-MR210CA eFuse Bit Map



## **8. WLAN Subsystem**

The WLAN subsystem is composed of the Media Access Controller (MAC), Physical Layer (PHY), and the radio.

### **8.1 MAC**

The ATWINC3400-MR210CA module is designed to operate at low power, while providing high data throughput. The IEEE 802.11 MAC functions are implemented with a combination of dedicated datapath engines, hardwired control logic, and a low power, high-efficiency microprocessor. The combination of dedicated logic with a programmable processor provides optimal power efficiency and real time response while providing the flexibility to accommodate evolving standards and future feature enhancements.

The dedicated datapath engines are used to implement datapath functions with heavy computational requirements. For example, a Frame Check Sequence (FCS) engine checks the Cyclic Redundancy Check (CRC) of the transmitting and receiving packets, and a cipher engine performs all the required encryption and decryption operations for the WEP, WPA-TKIP, and WPA2 CCMP-AES security requirements.

Control functions, which have real time requirements, are implemented using hardwired control logic modules. These logic modules offer real time response while maintaining configurability through the processor. Examples of hardwired control logic modules are the channel access control module (implements EDCA/HCCA, Beacon Tx control, interframe spacing, and so on), protocol timer module (responsible for the Network Access vector, back-off timing, timing synchronization function, and slot management), MAC Protocol Data Unit (MPDU) handling module, aggregation/deaggregation module, block ACK controller (implements the protocol requirements for burst block communication), and Tx/Rx control Finite State Machine (FSM) (coordinates data movement between PHY and MAC interface, cipher engine, and the Direct Memory Access (DMA) interface to the Tx/Rx FIFOs).

The following are the characteristics of MAC functions implemented solely in software on the microprocessor:

- Functions with high memory requirements or complex data structures. Examples include association table management and power save queuing.
- Functions with low computational load or without critical real time requirements. Examples include authentication and association.
- Functions that require flexibility and upgradeability. Examples include beacon frame processing and QoS scheduling.

#### **Features**

The ATWINC3400-MR210CA MAC supports the following functions:

- IEEE 802.11b/g/n
- IEEE 802.11e WMM QoS EDCA/HCCA/PCF multiple access categories traffic scheduling
- Advanced IEEE 802.11n features:
  - Transmission and reception of aggregated MPDUs (A-MPDU)
  - Transmission and reception of aggregated MSDUs (A-MSDU)
  - Immediate block acknowledgment
  - Reduced Interframe Spacing (RIFS)
- IEEE 802.11i and WPA security with key management:



- WEP 64/128
- WPA-TKIP
- 128-bit WPA2 CCMP (AES)
- Advanced power management:
  - Standard IEEE 802.11 power save mode
- RTS-CTS and CTS-self support
- Either STA or AP mode in the infrastructure basic service set mode

## 8.2 PHY

The ATWINC3400-MR210CA module WLAN PHY is designed to achieve reliable and power-efficient physical layer communication specified by IEEE 802.11 b/g/n in single stream mode with 20 MHz bandwidth. The advanced algorithms are used to achieve maximum throughput in a real world communication environment with impairments and interference. The PHY implements all the required functions such as Fast Fourier Transform (FFT), filtering, Forward Error Correction (FEC) that is a Viterbi decoder, frequency, timing acquisition and tracking, channel estimation and equalization, carrier sensing, clear channel assessment and automatic gain control.

### Features

The IEEE 802.11 PHY supports the following functions:

- Single antenna 1x1 stream in 20 MHz channels
- Supports IEEE 802.11b DSSS-CCK modulation: 1, 2, 5.5, and 11 Mbps
- Supports IEEE 802.11g OFDM modulation: 6, 9, 12, 18, 24, 36, 48, and 54 Mbps
- Supports IEEE 802.11n HT modulations MCS0-7, 20 MHz, 800 and 400ns guard interval: 6.5, 7.2, 13.0, 14.4, 19.5, 21.7, 26.0, 28.9, 39.0, 43.3, 52.0, 57.8, 58.5, 65.0, and 72.2 Mbps
- IEEE 802.11n mixed mode operation
- Per packet Tx power control
- Advanced channel estimation/equalization, automatic gain control, CCA, carrier/symbol recovery and frame detection

## 8.3 Radio

This section presents information describing the properties and characteristics of the ATWINC3400-MR210CA and Wi-Fi radio transmit and receive performance capabilities of the device.

The performance measurements are taken at the RF pin assuming 50Ω impedance; the RF performance is guaranteed for room temperature of 25°C with a derating of 2-3 dB at boundary conditions.

Measurements were taken under typical conditions: VBATT=3.3V; VDDIO=3.3V; temperature: +25°C

**Table 8-1. Features and Properties**

Feature	Description
Part Number	ATWINC3400-MR210CA
WLAN Standard	IEEE 802.11 b/g/n, Wi-Fi compliant
Host Interface	SPI

# ATWINC3400-MR210CA

## WLAN Subsystem

Feature	Description
Dimension	22.4 x 14.7 x 2.0 mm
Frequency Range	2.412GHz ~ 2.472GHz (2.4GHz ISM Band)
Number of Channels	11 for North America, and 13 for Europe and Japan
Modulation	802.11b: DQPSK, DBPSK, CCK 802.11g/n: OFDM /64-QAM, 16-QAM, QPSK, BPSK
Data Rate	802.11b: 1, 2, 5.5, 11Mbps 802.11g: 6, 9, 12, 18, 24, 36, 48, 54Mbps
Data Rate (20 MHz, normal GI, 800 ns)	802.11n: 6.5, 13, 19.5, 26, 39, 52, 58.5, 65Mbps
Data Rate (20 MHz, short GI, 400 ns)	802.11n: 7.2, 14.4, 21.7, 28.9, 43.3, 57.8, 65,72.2Mbps
Operating temperature	-40 to +85°C

## **9. Bluetooth Low Energy**

The Bluetooth subsystem implements all the mission critical real-time functions. It encodes/decodes HCI packets, constructs baseband data packages; and manages and monitors the connection status, slot usage, data flow, routing, segmentation, and buffer control. The Bluetooth subsystem supports Bluetooth Low Energy modes of operation.

The following advanced low energy applications are supported:

- Smart energy
- Consumer wellness
- Home automation
- Security
- Proximity detection
- Entertainment
- Sports and fitness
- Automotive

### **Coexistence Mechanism**

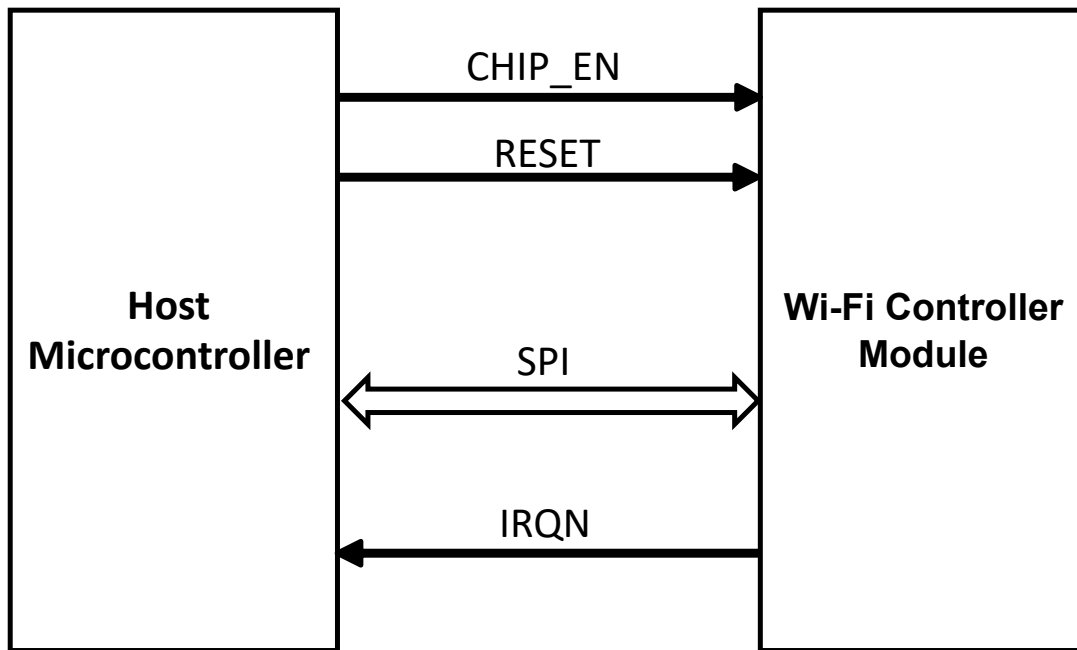
The ATWINC3400-MR210CA supports simultaneous usage of both Bluetooth Low Energy and Wi-Fi via a coexistence mechanism that allows the protocols to share the same radio. The radio defaults to Wi-Fi usage until a Bluetooth Low Energy event occurs (such as connection or advertising), in which case the radio is gracefully switched over for Bluetooth Low Energy use. For the duration of the Bluetooth Low Energy event, the radio is switched back and forth between Wi-Fi and Bluetooth Low Energy as demanded by the Bluetooth Low Energy activity, before returning to Wi-Fi until the next Bluetooth Low Energy event.

## 10. External Interfaces

### 10.1 Interfacing with the Host Microcontroller

This section describes interfacing the ATWINC3400-MR210CA module with the host microcontroller. The interface is comprised of a slave SPI and additional control signals, as shown in the following figure. For more information on SPI interface specification and timing, refer to the SPI Interface. Additional control signals are connected to the GPIO/IRQ interface of the microcontroller.

**Figure 10-1. Interfacing with Host Microcontroller**



**Table 10-1. Host Microcontroller Interface Pins**

Pin Number	Pin Name
7	RESETN
33	IRQN
19	CHIP_EN
25	SPI_SSN
26	SPI_MOSI
24	SPI_MISO
23	SPI_SCK

## 10.2 SPI Interface

### 10.2.1 Overview

The ATWINC3400-MR210CA has a Serial Peripheral Interface (SPI) that operates as an SPI slave. The SPI interface can be used for control and for serial I/O of 802.11 data. The SPI pins are mapped as shown in the following table. The SPI is a full-duplex slave-synchronous serial interface that is available immediately following Reset when pin 2 (SPI\_CFG) is tied to VDDIO.

**Table 10-2. SPI Interface Pin Mapping**

Pin #	SPI function
2	CFG: Must be tied to VDDIO
25	SSN: Active-Low Slave Select
26	MOSI(RXD): Serial Data Receive
23	SCK: Serial Clock
24	MISO(TXD): Serial Data Transmit

When the SPI is not selected, that is, when SSN is high, the SPI interface will not interfere with data transfers between the serial-master and other serial-slave devices. When the serial-slave is not selected, its transmitted data output is buffered, resulting in a high impedance drive onto the MISO line.

The SPI interface responds to a protocol that allows an external host to read or write any register in the chip as well as initiate DMA transfers.

The SPI SSN, MOSI, MISO, and SCK pins of the ATWINC3400-MR210CA have internal programmable pull-up resistors. These resistors should be programmed to be disabled; otherwise, if any of the SPI pins are driven to a low level while the ATWINC3400-MR210CA is in the low-power sleep state, the current will flow from the VDDIO supply through the pull-up resistors, increasing the current consumption of the module.

### 10.2.2 SPI Timing

The SPI Slave interface supports four standard modes as determined by the Clock Polarity (CPOL) and Clock Phase (CPHA) settings. These modes are illustrated in the following table and figure.

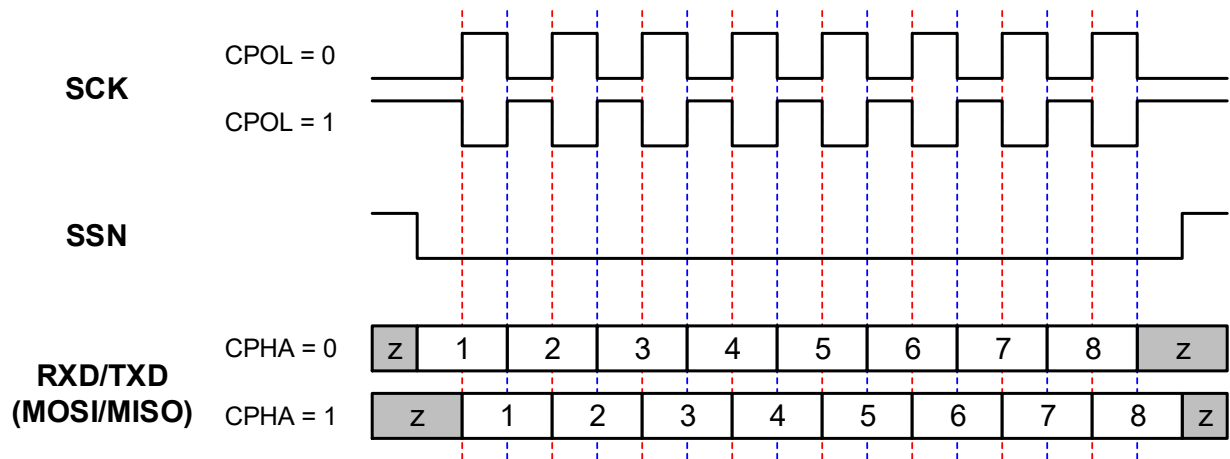
**Table 10-3. SPI Slave Modes**

Mode	CPOL	CPHA
0	0	0
1	0	1
2	1	0
3	1	1

**Note:** The ATWINC3400-MR210CA firmware uses “SPI MODE 0” to communicate with the host.

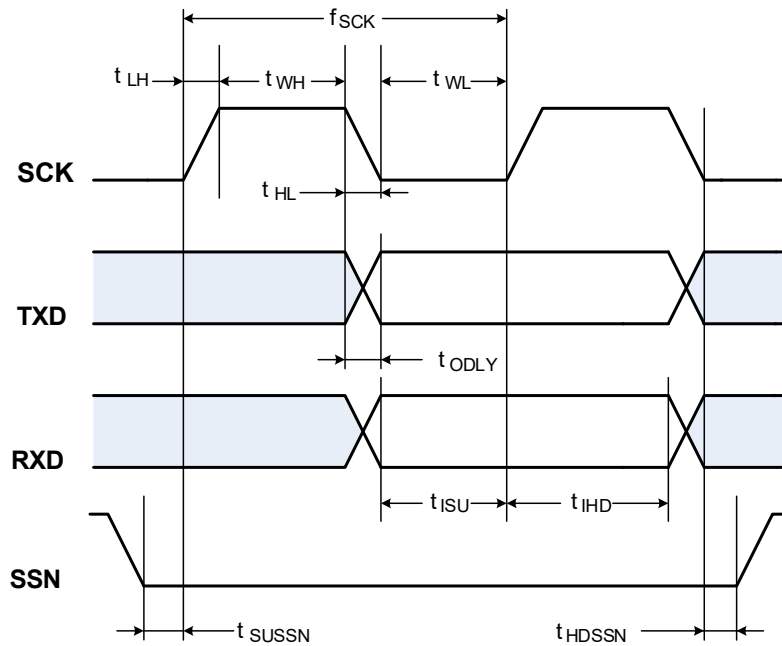
The red lines in the following figure correspond to Clock Phase = 0 and the blue lines correspond to Clock Phase = 1.

**Figure 10-2. SPI Slave Clock Polarity and Clock Phase Timing**



The SPI timing is provided in the following figure and table.

**Figure 10-3. SPI Timing Diagram (SPI Mode CPOL=0, CPHA=0)**



**Table 10-4. SPI Slave Timing Parameters<sup>1</sup>**

Parameter	Symbol	Min.	Max.	Units
Clock Input Frequency <sup>2</sup>	$f_{SCK}$	—	48	MHz

Parameter	Symbol	Min.	Max.	Units
Clock Low Pulse Width	$t_{WL}$	4	—	ns
Clock High Pulse Width	$t_{WH}$	5	—	
Clock Rise Time	$t_{LH}$	0	7	
Clock Fall Time	$t_{HL}$	0	7	
TXD Output Delay <sup>3</sup>	$t_{ODLY}$	4	9 from SCK fall 12.5 from SCK rise	
RXD Input Setup Time	$t_{ISU}$	1	—	
RXD Input Hold Time	$t_{IHD}$	5	—	
SSN Input Setup Time	$t_{SUSSN}$	3	—	
SSN Input Hold Time	$t_{HDSSN}$	5.5	—	

**Note:**

1. Timing is applicable to all SPI modes
2. Maximum clock frequency specified is limited by the SPI Slave interface internal design, actual maximum clock frequency can be lower and depends on the specific PCB layout
3. Timing based on 15pF output loading

### 10.3 UART Interface

The ATWINC3400-MR210CA supports the Universal Asynchronous Receiver/Transmitter (UART) interface. This interface should be used for debug purposes only. The two UART pins TXD/RXD are available on pin J16 and pin J17 respectively. The UART is compatible with the RS-232 standard.

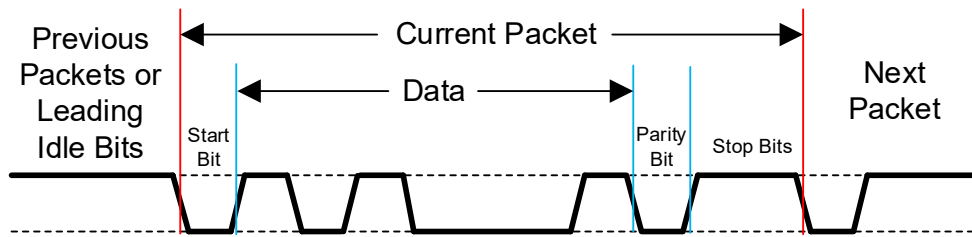
The default configuration for accessing the UART interface of ATWINC3400-MR210CA is mentioned below:

- Baud rate: 460800
- Data: 8 bit
- Parity: None
- Stop bit: 1 bit
- Flow control: None

It also has RX and TX FIFOs, which ensure reliable high-speed reception and low software overhead transmission. FIFO size is 4 x 8 for both RX and TX direction. The UART also has status registers showing the number of received characters available in the FIFO and various error conditions, as well the ability to generate interrupts based on these status bits.

An example of the UART receiving or transmitting a single packet is shown in the following figure. This example shows 7-bit data (0x45), odd parity, and two stop bits.

**Figure 10-4. Example of UART RX of TX Packet**

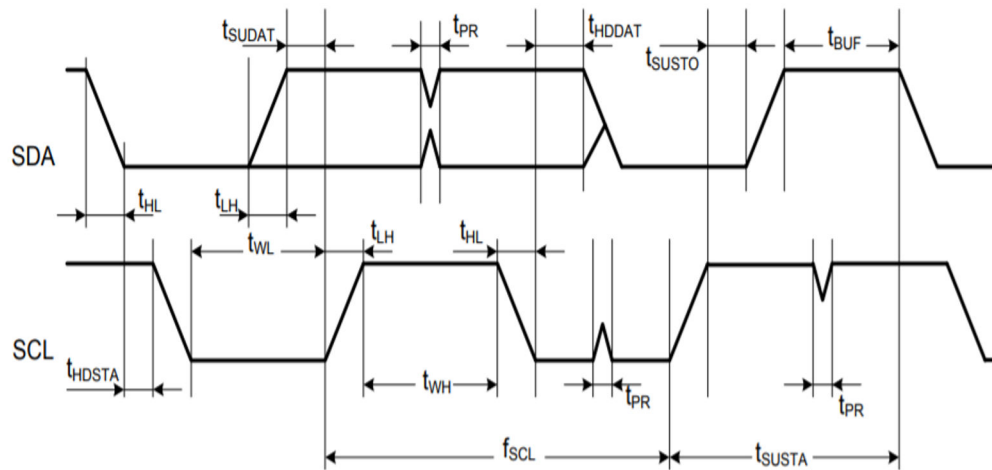


## 10.4 I2C Slave Interface

### 10.4.1 I<sup>2</sup>C Slave Timing

The I<sup>2</sup>C Slave timing diagram for the ATWINC3400-MR210CA module is shown in the following figure.

**Figure 10-5. I<sup>2</sup>C Slave Timing Diagram**



The following table provides the I<sup>2</sup>C Slave timing parameters for the ATWINC3400-MR210CA module.

**Table 10-5. I<sup>2</sup>C Slave Timing Parameters**

Parameter	Symbol	Min.	Max.	Units	Remarks
SCL Clock Frequency	$f_{SCL}$	0	400	kHz	-
SCL Low Pulse Width	$t_{WL}$	1.3	-	$\mu$ s	-
SCL High Pulse Width	$t_{WH}$	0.6	-		-
SCL, SDA Fall Time	$t_{HL}$	-	300	ns	-
SCL, SDA Rise Time	$t_{LH}$	-	300		This is dictated by external components
START Setup Time	$t_{SUSTA}$	0.6	-	$\mu$ s	-
START Hold Time	$t_{HDSTA}$	0.6	-		-
SDA Setup Time	$t_{SUDAT}$	100	-	ns	-



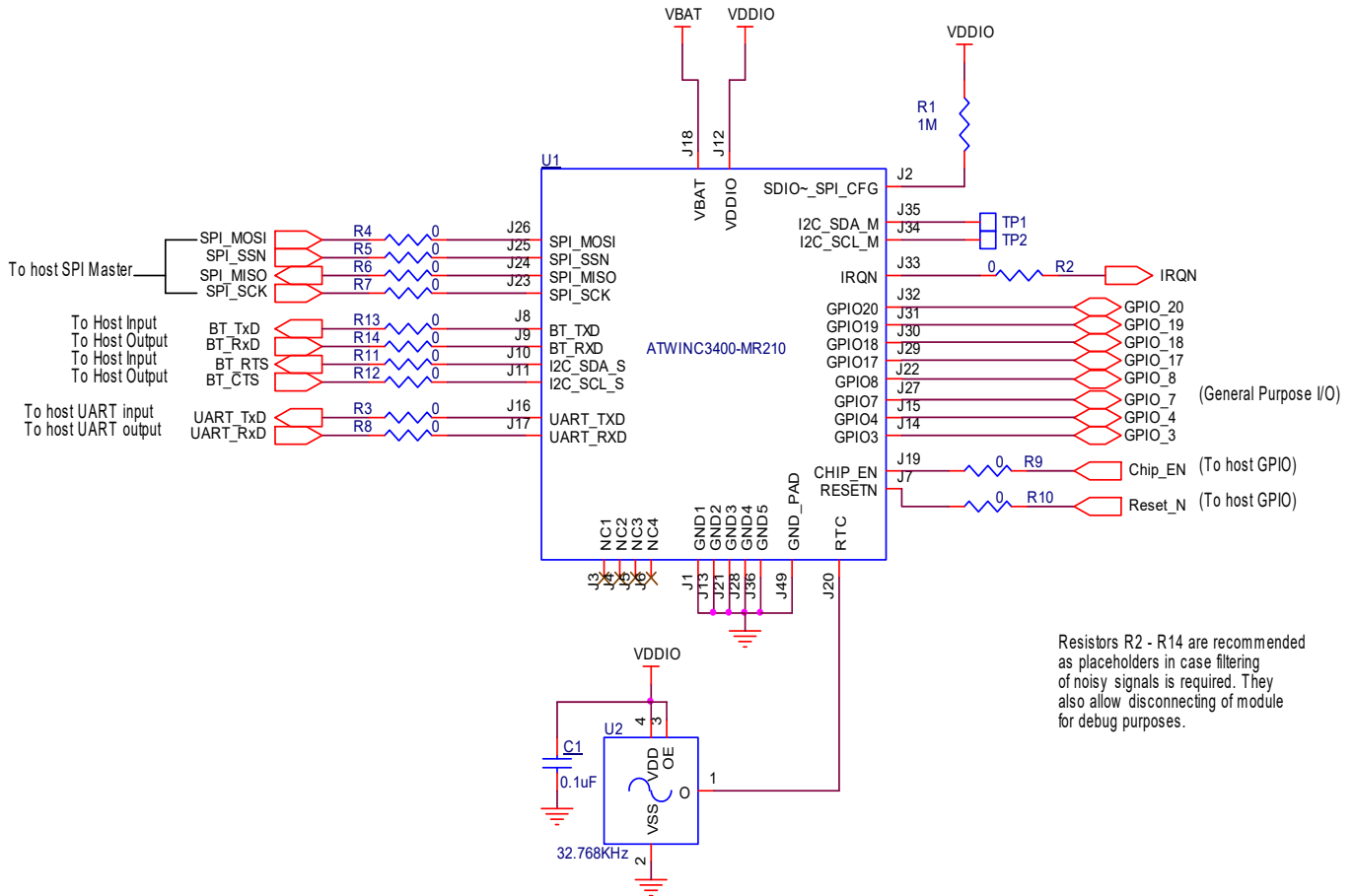
Parameter	Symbol	Min.	Max.	Units	Remarks
SDA Hold Time	$t_{\text{HDDAT}}$	0	-	ns	Slave and Master Default
		40	-	$\mu\text{s}$	Master Programming Option
STOP Setup Time	$t_{\text{SUSTO}}$	0.6	-	$\mu\text{s}$	-
Bus Free Time Between STOP and START	$t_{\text{BUF}}$	1.3	-		-
Glitch Pulse Reject	$t_{\text{PR}}$	0	50	ns	-

## 11. Application Reference Design

The ATWINC3400-MR210CA module application schematics for different supported host interfaces are shown in this section.

### 11.1 Host Interface

Figure 11-1. ATWINC3400-MR210CA Reference Schematic



**Note:** It is recommended to add test points for module pins J8, J9, J10, J11, J16 and J17 in the design.

The following table provides the reference Bill of Material (BoM) details for the ATWINC3400-MR210CA module with SPI as host interface.

# ATWINC3400-MR210CA

## Application Reference Design

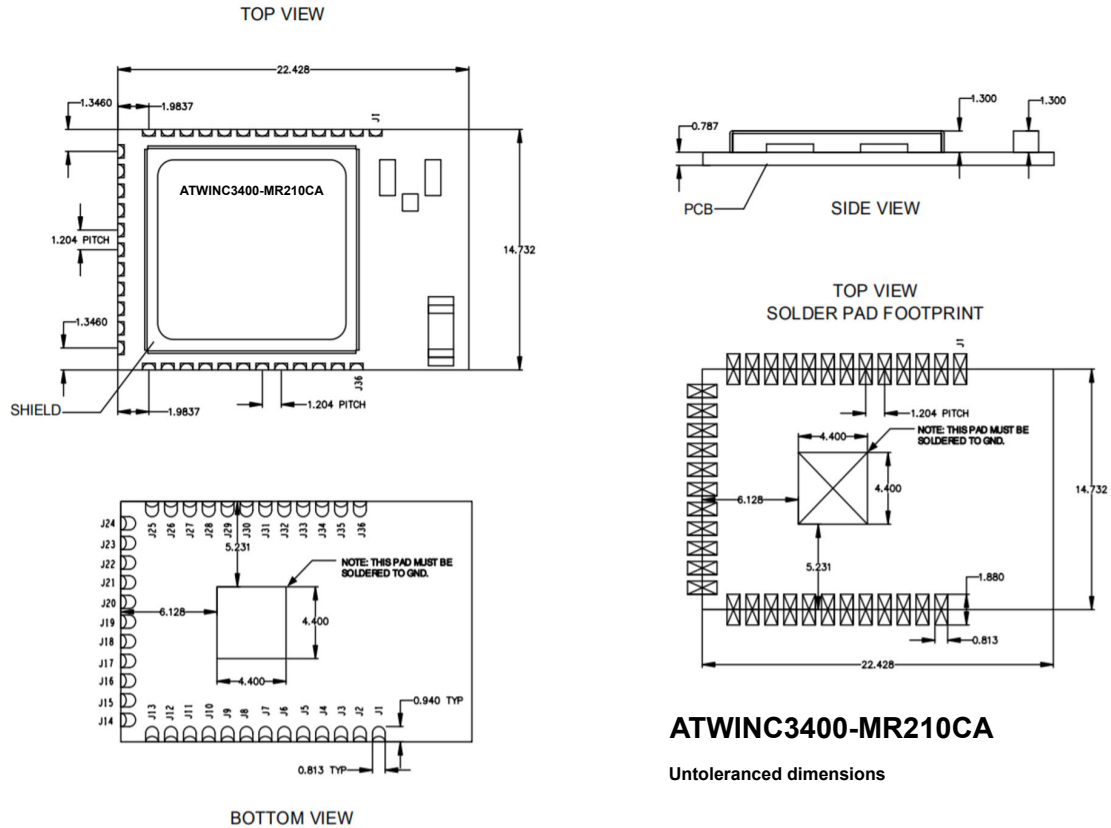
**Table 11-1. ATWINC3400-MR210CA Reference Bill of Materials for SPI Operation**

Item	Quantity	Reference	Value	Description	Manufacturer	Part Number	Footprint
1	1	U1	ATWINC3400-MR210CA	Wi-Fi/Bluetooth/BLE Combo Module	Microchip Technology Inc.®	ATWINC3400-MR210CA	Custom
2	1	U2	ASH7KW-32.768kHz-L-T	Oscillator, 32.768 kHz, +0/-175 ppm, 1.2V - 5.5V, -40°C - +85°C	Abrakon® Corporation	ASH7KW-32.768kHz-L-T	OSCCC320X150X100-4N
3	1	R1	1M	RESISTOR, Thick Film, 1 MOhm, 0201	Panasonic®	ERJ-1GEJ105C	RS0201
4	13	R2-R14	0	RESISTOR, Thick Film, 0 Ohm, 0201	Panasonic®	ERJ-1GN0R00C	RS0201

### 12. Module Outline Drawings

The ATWINC3400-MR210CA module package details are outlined in the following figure.

**Figure 12-1. ATWINC3400-MR210CA Footprint and Module Package Drawings - Top , Bottom and Side View**



**Note:**

1. Dimensions are in mm.
2. It is recommended to have a 5x5 grid of GND vias solidly connecting the exposed GND paddle of the module to the ground plane on the inner/other layers of the host board. This will provide a good ground and thermal transfer for the ATWINC3400-MR210CA module.

### 13. Design Consideration

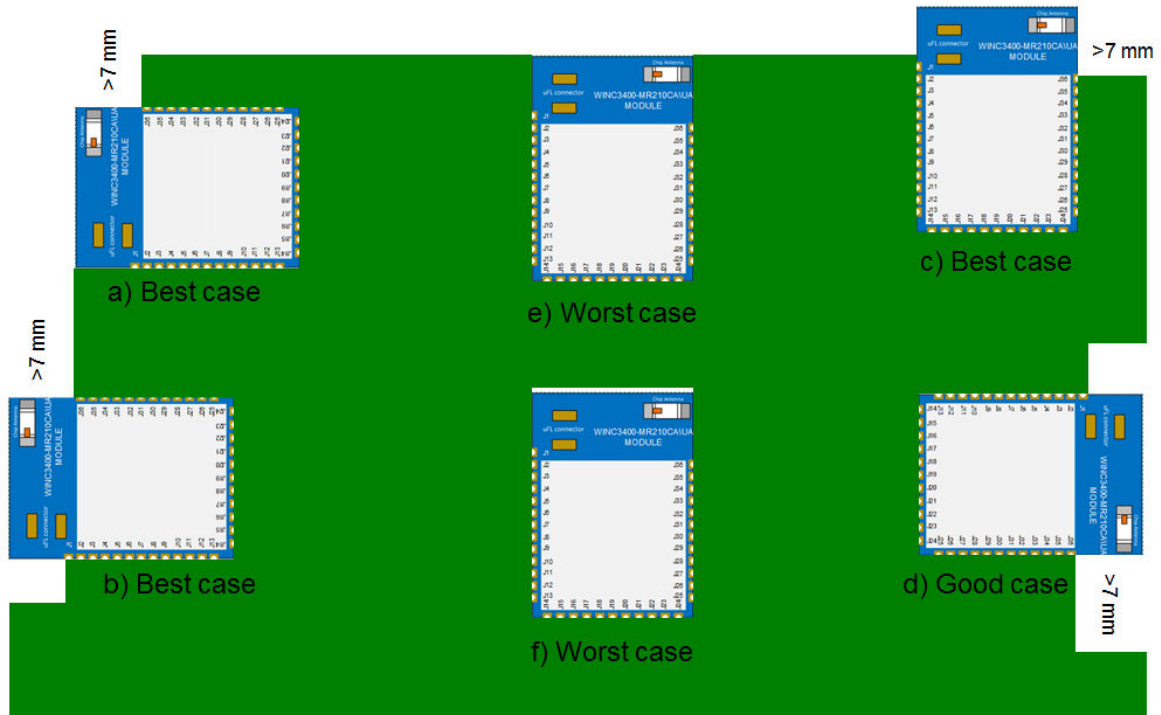
This section provides the guidelines on module placement and routing to achieve the best performance.

#### 13.1 Module Placement and Routing Guidelines

It is critical to follow the recommendations listed below to achieve the best RF performance:

- The module must be placed on the host board and the chip antenna area must not overlap with the host board. The following figure on placement reference shows the best, poor, and worst case module placements in the host board.

**Figure 13-1. ATWINC3400-MR210CA Placement Example**

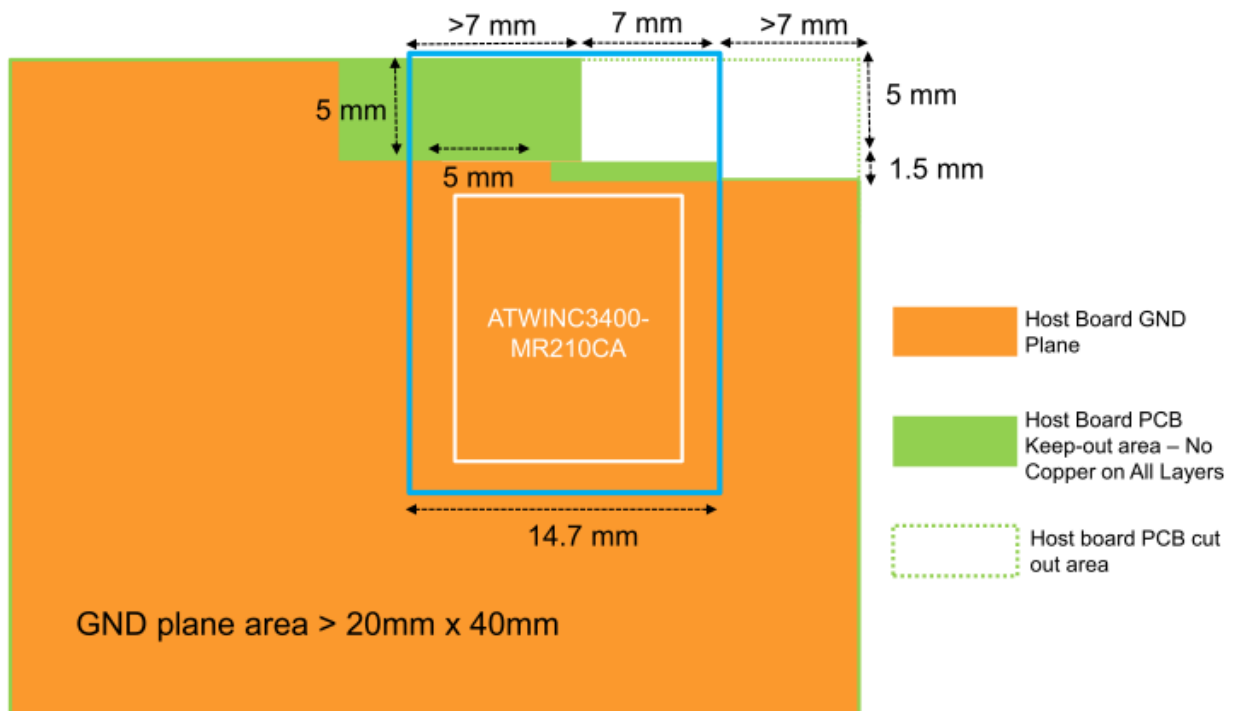


Do not place the module in the middle of the host board or far away from the host board edge.

- Follow the host board mechanical recommendation, ground plane and keep out recommendations as shown in the following figure. Module chip antenna is specifically tuned for this host board mechanical recommendation as shown in the following figure. The host PCB should have a thickness of 1.5 mm
  - Follow the module placement and keep out recommendation as shown in the following figure.
    - Avoid routing any traces on the top layer of the host board which will be directly below the module area.
    - In the keep out region, there should be no copper traces in all signal layers.
    - Avoid placing any components (like mechanical spacers, bumpon and so on) on the host board closer to the chip antenna region.

- Place the GND polygon pour below the module on the top layer of the host board. Avoid breaks in this GND plane and ensure continuous GND plane for better RF performance.
- GND polygon pour in the top layer of the host board should have a minimum area of 20 x 40 mm.
- Place sufficient GND vias on host board edge and below the module for better RF performance.
- It is recommended to have a 5x5 grid of GND vias solidly connecting the exposed GND paddle of the module to the ground plane of the host board. This will act as a good ground and thermal conduction path for the ATWINC3400-MR210CA module. The GND vias should have a minimum via hole size of 0.2 mm.
- Antenna on the module should not be placed in direct contact or close proximity to plastic casing/objects. Keep a minimum clearance of >7 mm in all directions around the chip antenna.

**Figure 13-2. ATWINC3400-MR210CA Placement Reference**



## 13.2 Antenna Performance

The ATWINC3400-MR210CA uses a chip antenna which is fed via matching network. The table below lists the technical specification of the chip antenna.

**Table 13-1. Chip antenna specification**

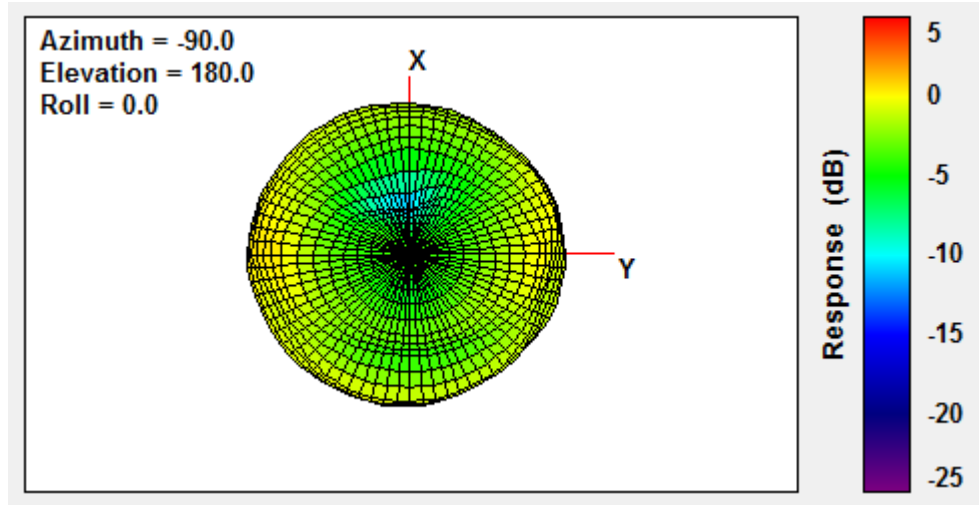
Parameter	Value
Peak gain	0.5 dBi
Operating frequency	2400 - 2500 MHz
Antenna P/N	2450AT18A100

Paramater	Value
Antenna vendor	Johanson Technology Inc.

### 13.2.1 Radiation Pattern

Following figures illustrate the antenna radiation pattern measured for the ATWINC3400-MR210CA module mounted in the ATWINC3400-Xpro evaluation kit. During the measurement, the module is placed in the XZ plane with Y axis being perpendicular to the module and pointing to the front of the module.

**Figure 13-3. Antenna Radiation Pattern - XY Plane**



**Figure 13-4. Antenna Radiation Pattern - ZY Plane**

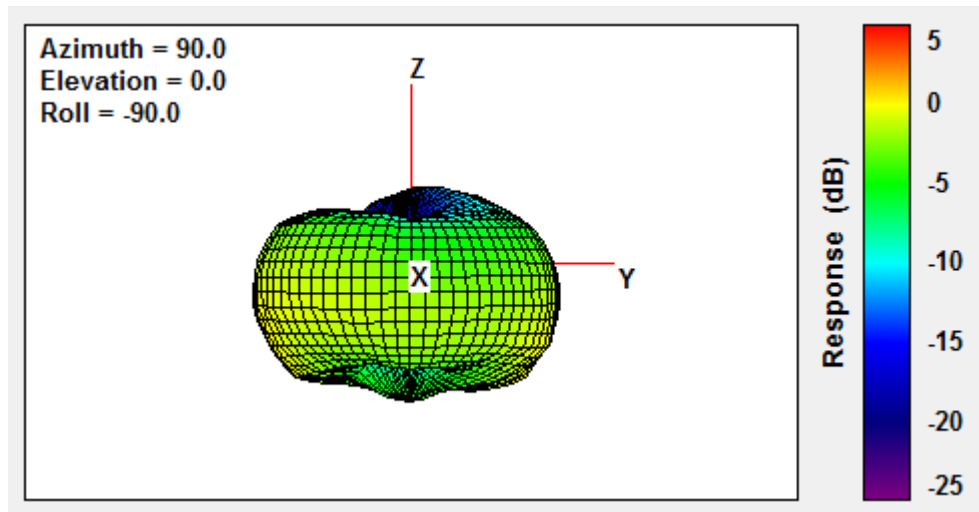
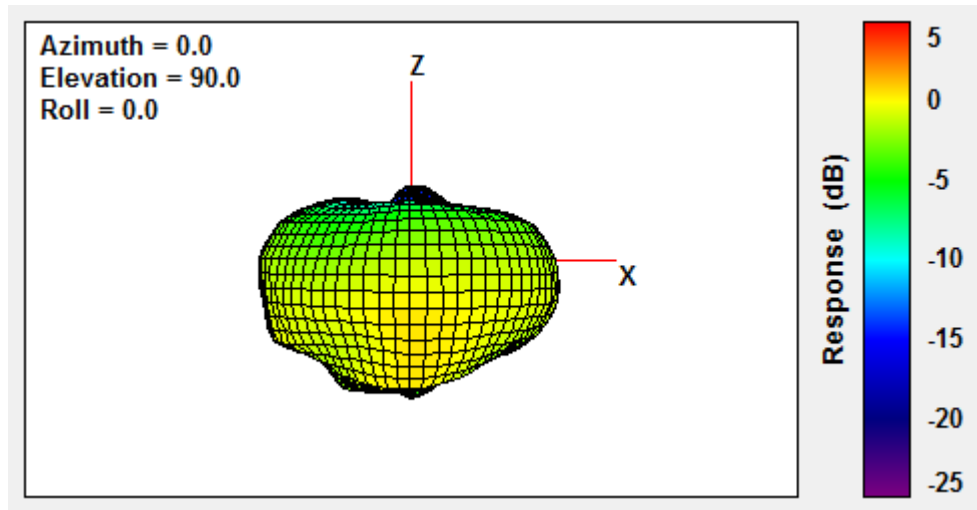


Figure 13-5. Antenna Radiation Pattern - ZX Plane



### 13.3 Reflow Profile Information - TBD

For more information on reflow process guidelines, refer to the [Solder Reflow Recommendation application note \(DS00233D\)](#).

### 13.4 Module Assembly Considerations

The ATWINC3400-MR210CA module is assembled with an EMI shield to ensure compliance with EMI emission and immunity rules. The EMI shield is made of a tin-plated steel (SPTE) and is not hermetically sealed. Solutions such as IPA and similar solvents can be used to clean this module. Cleaning solutions containing acid must never be used on the module.

The ATWINC3400-MR210CA module is manufactured without any conformal coating applied. It is the customer's responsibility if a conformal coating is specified and/or applied to this module.



## 14. Regulatory Approval

Regulatory approvals received for ATWINC3400-MR210CA:

- United States/FCC ID: 2ADHKWINC3400
- Canada/ISED:
  - IC: 20266-ATWINC3400
  - HVIN: ATWINC3400-MR210CA
  - PMN: WiFi and Bluetooth Module
- Europe - CE

### 14.1 United States

The ATWINC3400-MR210CA module has received Federal Communications Commission (FCC) CFR47 Telecommunications, Part 15 Subpart C “Intentional Radiators” single-modular approval in accordance with Part 15.212 Modular Transmitter approval. Single-modular transmitter approval is defined as a complete RF transmission sub-assembly, designed to be incorporated into another device, that must demonstrate compliance with FCC rules and policies independent of any host. A transmitter with a modular grant can be installed in different end-use products (referred to as a host, host product, or host device) by the grantee or other equipment manufacturer, then the host product may not require additional testing or equipment authorization for the transmitter function provided by that specific module or limited module device.

The user must comply with all of the instructions provided by the Grantee, which indicate installation and/or operating conditions necessary for compliance.

A host product itself is required to comply with all other applicable FCC equipment authorization regulations, requirements, and equipment functions that are not associated with the transmitter module portion. For example, compliance must be demonstrated: to regulations for other transmitter components within a host product; to requirements for unintentional radiators (Part 15 Subpart B), such as digital devices, computer peripherals, radio receivers, etc.; and to additional authorization requirements for the non-transmitter functions on the transmitter module (i.e., Verification or Declaration of Conformity) as appropriate (e.g., Bluetooth and Wi-Fi transmitter modules may also contain digital logic functions).

#### 14.1.1 Labeling And User Information Requirements

The ATWINC3400-MR210CA module has been labeled with its own FCC ID number, and if the FCC ID is not visible when the module is installed inside another device, then the outside of the finished product into which the module is installed must display a label referring to the enclosed module. This exterior label can use wording as follows:

For the ATWINC3400-MR210CA:

Contains Transmitter Module FCC ID: 2ADHKWINC3400

or

Contains FCC ID: 2ADHKWINC3400

**This device complies with Part 15 of the FCC Rules. Operation is subject to the following two conditions: (1) this device may not cause harmful interference, and (2) this device must accept any interference received, including interference that may cause undesired operation**

A user's manual for the finished product should include the following statement:

This equipment has been tested and found to comply with the limits for a Class B digital device, pursuant to part 15 of the FCC Rules. These limits are designed to provide reasonable protection against harmful interference in a residential installation. This equipment generates, uses and can radiate radio frequency energy, and if not installed and used in accordance with the instructions, may cause harmful interference to radio communications. However, there is no guarantee that interference will not occur in a particular installation. If this equipment does cause harmful interference to radio or television reception, which can be determined by turning the equipment off and on, the user is encouraged to try to correct the interference by one or more of the following measures:

- Reorient or relocate the receiving antenna
- Increase the separation between the equipment and receiver
- Connect the equipment into an outlet on a circuit different from that to which the receiver is connected
- Consult the dealer or an experienced radio/TV technician for help

Additional information on labeling and user information requirements for Part 15 devices can be found in KDB Publication 784748, which is available at the FCC Office of Engineering and Technology (OET) Laboratory Division Knowledge Database (KDB) <https://apps.fcc.gov/oetcf/kdb/index.cfm>

### 14.1.2 RF Exposure

All transmitters regulated by FCC must comply with RF exposure requirements. KDB 447498 General RF Exposure Guidance provides guidance in determining whether proposed or existing transmitting facilities, operations or devices comply with limits for human exposure to Radio Frequency (RF) fields adopted by the Federal Communications Commission (FCC).

From the FCC Grant: Output power listed is conducted. This transmitter is restricted for use with the specific antenna(s) tested in this application for Certification.

The antenna(s) used with this transmitter must be installed to provide a separation distance of at least 6.5 cm from all persons and must not be co-located or operating in conjunction with any other antenna or transmitter. Users and installers must be provided with antenna installation instructions and transmitter operating conditions for satisfying RF exposure compliance.

### 14.1.3 Helpful Web Sites

Federal Communications Commission (FCC): <http://www.fcc.gov>

FCC Office of Engineering and Technology (OET) Laboratory Division Knowledge Database (KDB): <https://apps.fcc.gov/oetcf/kdb/index.cfm>

## 14.2 Canada

The ATWINC3400-MR210CA module has been certified for use in Canada under Innovation, Science and Economic Development Canada (ISED, formerly Industry Canada) Radio Standards Procedure (RSP) RSP-100, Radio Standards Specification (RSS) RSS-Gen and RSS-247. Modular approval permits the installation of a module in a host device without the need to recertify the device.

### 14.2.1 Labeling and User Information Requirements

Label Requirements (from RSP-100 Issue 11, Section 3): The host device shall be properly labeled to identify the module within the host device.

The Innovation, Science and Economic Development Canada certification label of a module shall be clearly visible at all times when installed in the host device; otherwise, the host product must be labeled to display the Innovation, Science and Economic Development Canada certification number of the module, preceded by the word "Contains" or similar wording expressing the same meaning, as follows:

For the ATWINC3400-MR210CA:

**Contains IC: 20266-ATWINC3400**

User Manual Notice for License-Exempt Radio Apparatus (from Section 8.4 RSS-Gen, Issue 4, November 2014): User manuals for license-exempt radio apparatus shall contain the following or equivalent notice in a conspicuous location in the user manual or alternatively on the device or both:

**This device complies with Industry Canada license exempt RSS standard(s). Operation is subject to the following two conditions:**

- (1) This device may not cause interference, and**
- (2) This device must accept any interference, including interference that may cause undesired operation of the device.**

**Le présent appareil est conforme aux CNR d'Industrie Canada applicables aux appareils radio exempts de licence. L'exploitation est autorisée aux deux conditions suivantes:**

- (1) l'appareil ne doit pas produire de brouillage, et**
- (2) l'utilisateur de l'appareil doit accepter tout brouillage radioélectrique subi, même si le brouillage est susceptible d'en compromettre le fonctionnement.**

Guidelines on Transmitter Antenna for License Exempt Radio Apparatus:

**Under Industry Canada regulations, this radio transmitter may only operate using an antenna of a type and maximum (or lesser) gain approved for the transmitter by Industry Canada. To reduce potential radio interference to other users, the antenna type and its gain should be so chosen that the equivalent isotropically radiated power (e.i.r.p.) is not more than that necessary for successful communication.**

**Conformément à la réglementation d'Industrie Canada, le présent émetteur radio peut fonctionner avec une antenne d'un type et d'un gain maximal (ou inférieur) approuvé pour l'émetteur par Industrie Canada. Dans le but de réduire les risques de brouillage radioélectrique à l'intention des autres utilisateurs, il faut choisir le type d'antenne et son gain de sorte que la puissance isotrope rayonnée équivalente (p.i.r.e.) ne dépasse pas l'intensité nécessaire à l'établissement d'une communication satisfaisante.**

#### **14.2.2 RF Exposure**

All transmitters regulated by Innovation, Science and Economic Development Canada (ISED) must comply with RF exposure requirements listed in RSS-102 - Radio Frequency (RF) Exposure Compliance of Radio communication Apparatus (All Frequency Bands).

This transmitter is restricted for use with a specific antenna tested in this application for certification, and must not be co-located or operating in conjunction with any other antenna or transmitters within a host device, except in accordance with Canada multi-transmitter product procedures.

The installation of the transmitter must ensure that the antenna has a separation distance of at least 6.5 cm from all persons or compliance must be demonstrated according to the ISED SAR procedures.

### 14.2.3 Helpful Web Sites

Innovation, Science and Economic Development Canada: <http://www.ic.gc.ca/>

## 14.3 Europe

The ATWINC3400-MR210CA module is a Radio Equipment Directive (RED) assessed radio module that is CE marked and has been manufactured and tested with the intention of being integrated into a final product.

The ATWINC3400-MR210CA module has been tested to RED 2014/53/EU Essential Requirements for Health and Safety (Article (3.1(a)), Electromagnetic Compatibility (EMC) (Article 3.1(b)), and Radio (Article 3.2), which is summarized in the following European Compliance Testing table.

The ETSI provides guidance on modular devices in the “*Guide to the application of harmonised standards covering articles 3.1b and 3.2 of the RED 2014/53/EU (RED) to multi-radio and combined radio and non-radio equipment*” document available at [http://www.etsi.org/deliver/etsi\\_eg/203300\\_203399/203367/01.01.01\\_eg\\_203367v010101p.pdf](http://www.etsi.org/deliver/etsi_eg/203300_203399/203367/01.01.01_eg_203367v010101p.pdf).

**Note:** To maintain conformance to the testing listed in the following European Compliance Testing table the module shall be installed in accordance with the installation instructions in this data sheet and shall not be modified. When integrating a radio module into a completed product, the integrator becomes the manufacturer of the final product and is therefore responsible for demonstrating compliance of the final product with the essential requirements against the RED.

### 14.3.1 Labeling and User Information Requirements

The label on the final product that contains the ATWINC3400-MR210CA module must follow CE marking requirements.

**Table 14-1. European Compliance Testing**

Certification	Standards	Article	Laboratory	Report Number	Date
Safety	EN60950-1:2006/ A11:2009/ A1:2010/ A12:2011/A2:2013	[3.1.(a)]	TUV Rheinland, Taiwan	10062655 001	31- Oct-2017
Health	EN300328 V2.1.1/ EN62479:2010	[3.1(b)]		50103733 001	31- Oct-2017
	EN300328 V2.1.1/ EN62311:2008			50103734 001	31- Oct-2017
EMC	EN301489-1 V2.1.1 EN301489-1 V2.2.0		[3.1(b)]	10062417 001	31- Oct-2017
	EN301489-17 V3.1.1 EN301489-17 V3.2.0				
Radio	EN300328 V2.1.1	[3.2]		50103733 001 50103734 001	31- Oct-2017

### 14.3.2 Conformity Assessment

From ETSI Guidance Note EG 203367, section 6.1, when non-radio products are combined with a radio product:

If the manufacturer of the combined equipment installs the radio product in a host non-radio product in equivalent assessment conditions (i.e. host equivalent to the one used for the assessment of the radio product) and according to the installation instructions for the radio product, then no additional assessment of the combined equipment against article 3.2 of the RED is required.

The European Compliance Testing listed in the preceding table was performed using the integral chip antenna.

#### 14.3.2.1 Simplified EU Declaration of Conformity

Hereby, Microchip Technology Inc. declares that the radio equipment type ATWINC3400-MR210CA is in compliance with Directive 2014/53/EU.

The full text of the EU declaration of conformity for this product is available at <http://www.microchip.com/design-centers/wireless-connectivity/>.

### 14.3.3 Helpful Websites

A document that can be used as a starting point in understanding the use of Short Range Devices (SRD) in Europe is the European Radio Communications Committee (ERC) Recommendation 70-03 E, which can be downloaded from the European Communications Committee (ECC) at: <http://www.ecodocdb.dk/>.

Additional helpful web sites are:

- Radio Equipment Directive (2014/53/EU):  
[https://ec.europa.eu/growth/single-market/european-standards/harmonised-standards/red\\_en](https://ec.europa.eu/growth/single-market/european-standards/harmonised-standards/red_en)
- European Conference of Postal and Telecommunications Administrations (CEPT):  
<http://www.cept.org>
- European Telecommunications Standards Institute (ETSI):  
<http://www.etsi.org>
- The Radio Equipment Directive Compliance Association (REDCA):  
<http://www.redca.eu/>

## 14.4 Other Regulatory Information

- For information about other countries' jurisdictions not covered here, refer to <http://www.microchip.com/design-centers/wireless-connectivity>
- Should other regulatory jurisdiction certification be required by the customer, or the customer needs to recertify the module for other reasons, contact Microchip for the required utilities and documentation

### 15. Reference Documentation

For further study, refer the following documents:

- Wi-Fi Network Controller Software Design Guide Application Note
- Integrated Serial Flash Memory Download Procedure Application Note
- Wi-Fi Network Controller Software Programming Guide Application Note
- [ATWINC3400 XPro User Guide](#)
- BLE Profiles Application User Guide
- [Solder Reflow Recommendation Application Note](#)

**Note:**

For a complete listing of development-support tools and documentation, visit <http://www.microchip.com/wwwproducts/en/ATWINC3400> or refer to the customer support section on options to the nearest Microchip field representative.

## 16. Document Revision History

### Rev B - 08/2018

Section	Changes
Document	Updated from Bluetooth 4.0 to Bluetooth 5.0 throughout the document
Features	<ul style="list-style-type: none"> <li>• Removed Bluetooth Host and Controller QD ID</li> <li>• Added QD ID for an end product</li> </ul>
1. Ordering Information and Module Marking	Updated product web page link
Table 10-1 and Table 10-2	Updated pin numbers
13.3 Reflow Profile Information - TBD	<ul style="list-style-type: none"> <li>• Removed Reflow Profile information sections</li> <li>• Added link to Solder Reflow Recommendation Application Note</li> </ul>
14. Regulatory Approval	Added PMN details under Canada/ISED
15. Reference Documentation	<ul style="list-style-type: none"> <li>• Updated web links</li> <li>• Added Solder Reflow Recommendation</li> </ul>
Radiation Pattern	Newly added

### Rev A - 11/2017

Section	Changes
Document	Initial Release

## The Microchip Web Site

---

Microchip provides online support via our web site at <http://www.microchip.com/>. This web site is used as a means to make files and information easily available to customers. Accessible by using your favorite Internet browser, the web site contains the following information:

- **Product Support** – Data sheets and errata, application notes and sample programs, design resources, user's guides and hardware support documents, latest software releases and archived software
- **General Technical Support** – Frequently Asked Questions (FAQ), technical support requests, online discussion groups, Microchip consultant program member listing
- **Business of Microchip** – Product selector and ordering guides, latest Microchip press releases, listing of seminars and events, listings of Microchip sales offices, distributors and factory representatives

## Customer Change Notification Service

---

Microchip's customer notification service helps keep customers current on Microchip products. Subscribers will receive e-mail notification whenever there are changes, updates, revisions or errata related to a specified product family or development tool of interest.

To register, access the Microchip web site at <http://www.microchip.com/>. Under "Support", click on "Customer Change Notification" and follow the registration instructions.

## Customer Support

---

Users of Microchip products can receive assistance through several channels:

- Distributor or Representative
- Local Sales Office
- Field Application Engineer (FAE)
- Technical Support

Customers should contact their distributor, representative or Field Application Engineer (FAE) for support. Local sales offices are also available to help customers. A listing of sales offices and locations is included in the back of this document.

Technical support is available through the web site at: <http://www.microchip.com/support>

## Microchip Devices Code Protection Feature

---

Note the following details of the code protection feature on Microchip devices:

- Microchip products meet the specification contained in their particular Microchip Data Sheet.
- Microchip believes that its family of products is one of the most secure families of its kind on the market today, when used in the intended manner and under normal conditions.
- There are dishonest and possibly illegal methods used to breach the code protection feature. All of these methods, to our knowledge, require using the Microchip products in a manner outside the operating specifications contained in Microchip's Data Sheets. Most likely, the person doing so is engaged in theft of intellectual property.
- Microchip is willing to work with the customer who is concerned about the integrity of their code.



- Neither Microchip nor any other semiconductor manufacturer can guarantee the security of their code. Code protection does not mean that we are guaranteeing the product as “unbreakable.”

Code protection is constantly evolving. We at Microchip are committed to continuously improving the code protection features of our products. Attempts to break Microchip’s code protection feature may be a violation of the Digital Millennium Copyright Act. If such acts allow unauthorized access to your software or other copyrighted work, you may have a right to sue for relief under that Act.

## Legal Notice

---

Information contained in this publication regarding device applications and the like is provided only for your convenience and may be superseded by updates. It is your responsibility to ensure that your application meets with your specifications. MICROCHIP MAKES NO REPRESENTATIONS OR WARRANTIES OF ANY KIND WHETHER EXPRESS OR IMPLIED, WRITTEN OR ORAL, STATUTORY OR OTHERWISE, RELATED TO THE INFORMATION, INCLUDING BUT NOT LIMITED TO ITS CONDITION, QUALITY, PERFORMANCE, MERCHANTABILITY OR FITNESS FOR PURPOSE. Microchip disclaims all liability arising from this information and its use. Use of Microchip devices in life support and/or safety applications is entirely at the buyer’s risk, and the buyer agrees to defend, indemnify and hold harmless Microchip from any and all damages, claims, suits, or expenses resulting from such use. No licenses are conveyed, implicitly or otherwise, under any Microchip intellectual property rights unless otherwise stated.

## Trademarks

---

The Microchip name and logo, the Microchip logo, AnyRate, AVR, AVR logo, AVR Freaks, BitCloud, chipKIT, chipKIT logo, CryptoMemory, CryptoRF, dsPIC, FlashFlex, flexPWR, Helder, JukeBlox, KeeLoq, Kleer, LANCheck, LINK MD, maXStylus, maXTouch, MediaLB, megaAVR, MOST, MOST logo, MPLAB, OptoLyzer, PIC, picoPower, PICSTART, PIC32 logo, Prochip Designer, QTouch, SAM-BA, SpyNIC, SST, SST Logo, SuperFlash, tinyAVR, UNI/O, and XMEGA are registered trademarks of Microchip Technology Incorporated in the U.S.A. and other countries.

ClockWorks, The Embedded Control Solutions Company, EtherSynch, Hyper Speed Control, HyperLight Load, IntelliMOS, mTouch, Precision Edge, and Quiet-Wire are registered trademarks of Microchip Technology Incorporated in the U.S.A.

Adjacent Key Suppression, AKS, Analog-for-the-Digital Age, Any Capacitor, AnyIn, AnyOut, BodyCom, CodeGuard, CryptoAuthentication, CryptoAutomotive, CryptoCompanion, CryptoController, dsPICDEM, dsPICDEM.net, Dynamic Average Matching, DAM, ECAN, EtherGREEN, In-Circuit Serial Programming, ICSP, INICnet, Inter-Chip Connectivity, JitterBlocker, KleerNet, KleerNet logo, memBrain, Mindi, MiWi, motorBench, MPASM, MPF, MPLAB Certified logo, MPLIB, MPLINK, MultiTRAK, NetDetach, Omniscient Code Generation, PICDEM, PICDEM.net, PICKit, PICtail, PowerSmart, PureSilicon, QMatrix, REAL ICE, Ripple Blocker, SAM-ICE, Serial Quad I/O, SMART-I.S., SQI, SuperSwitcher, SuperSwitcher II, Total Endurance, TSHARC, USBCheck, VariSense, ViewSpan, WiperLock, Wireless DNA, and ZENA are trademarks of Microchip Technology Incorporated in the U.S.A. and other countries.

SQTP is a service mark of Microchip Technology Incorporated in the U.S.A.

Silicon Storage Technology is a registered trademark of Microchip Technology Inc. in other countries.

GestIC is a registered trademark of Microchip Technology Germany II GmbH & Co. KG, a subsidiary of Microchip Technology Inc., in other countries.

All other trademarks mentioned herein are property of their respective companies.

© 2018, Microchip Technology Incorporated, Printed in the U.S.A., All Rights Reserved.

ISBN: 978-1-5224-3414-6

## Quality Management System Certified by DNV

---

### ISO/TS 16949

Microchip received ISO/TS-16949:2009 certification for its worldwide headquarters, design and wafer fabrication facilities in Chandler and Tempe, Arizona; Gresham, Oregon and design centers in California and India. The Company's quality system processes and procedures are for its PIC<sup>®</sup> MCUs and dsPIC<sup>®</sup> DSCs, KEELOQ<sup>®</sup> code hopping devices, Serial EEPROMs, microperipherals, nonvolatile memory and analog products. In addition, Microchip's quality system for the design and manufacture of development systems is ISO 9001:2000 certified.

## Worldwide Sales and Service

AMERICAS	ASIA/PACIFIC	ASIA/PACIFIC	EUROPE
<p><b>Corporate Office</b> 2355 West Chandler Blvd. Chandler, AZ 85224-6199 Tel: 480-792-7200 Fax: 480-792-7277 Technical Support: <a href="http://www.microchip.com/support">http://www.microchip.com/support</a> Web Address: <a href="http://www.microchip.com">www.microchip.com</a></p> <p><b>Atlanta</b> Duluth, GA Tel: 678-957-9614 Fax: 678-957-1455</p> <p><b>Austin, TX</b> Tel: 512-257-3370</p> <p><b>Boston</b> Westborough, MA Tel: 774-760-0087 Fax: 774-760-0088</p> <p><b>Chicago</b> Itasca, IL Tel: 630-285-0071 Fax: 630-285-0075</p> <p><b>Dallas</b> Addison, TX Tel: 972-818-7423 Fax: 972-818-2924</p> <p><b>Detroit</b> Novi, MI Tel: 248-848-4000</p> <p><b>Houston, TX</b> Tel: 281-894-5983</p> <p><b>Indianapolis</b> Noblesville, IN Tel: 317-773-8323 Fax: 317-773-5453 Tel: 317-536-2380</p> <p><b>Los Angeles</b> Mission Viejo, CA Tel: 949-462-9523 Fax: 949-462-9608 Tel: 951-273-7800</p> <p><b>Raleigh, NC</b> Tel: 919-844-7510</p> <p><b>New York, NY</b> Tel: 631-435-6000</p> <p><b>San Jose, CA</b> Tel: 408-735-9110 Tel: 408-436-4270</p> <p><b>Canada - Toronto</b> Tel: 905-695-1980 Fax: 905-695-2078</p>	<p><b>Australia - Sydney</b> Tel: 61-2-9868-6733</p> <p><b>China - Beijing</b> Tel: 86-10-8569-7000</p> <p><b>China - Chengdu</b> Tel: 86-28-8665-5511</p> <p><b>China - Chongqing</b> Tel: 86-23-8980-9588</p> <p><b>China - Dongguan</b> Tel: 86-769-8702-9880</p> <p><b>China - Guangzhou</b> Tel: 86-20-8755-8029</p> <p><b>China - Hangzhou</b> Tel: 86-571-8792-8115</p> <p><b>China - Hong Kong SAR</b> Tel: 852-2943-5100</p> <p><b>China - Nanjing</b> Tel: 86-25-8473-2460</p> <p><b>China - Qingdao</b> Tel: 86-532-8502-7355</p> <p><b>China - Shanghai</b> Tel: 86-21-3326-8000</p> <p><b>China - Shenyang</b> Tel: 86-24-2334-2829</p> <p><b>China - Shenzhen</b> Tel: 86-755-8864-2200</p> <p><b>China - Suzhou</b> Tel: 86-186-6233-1526</p> <p><b>China - Wuhan</b> Tel: 86-27-5980-5300</p> <p><b>China - Xian</b> Tel: 86-29-8833-7252</p> <p><b>China - Xiamen</b> Tel: 86-592-2388138</p> <p><b>China - Zhuhai</b> Tel: 86-756-3210040</p>	<p><b>India - Bangalore</b> Tel: 91-80-3090-4444</p> <p><b>India - New Delhi</b> Tel: 91-11-4160-8631</p> <p><b>India - Pune</b> Tel: 91-20-4121-0141</p> <p><b>Japan - Osaka</b> Tel: 81-6-6152-7160</p> <p><b>Japan - Tokyo</b> Tel: 81-3-6880-3770</p> <p><b>Korea - Daegu</b> Tel: 82-53-744-4301</p> <p><b>Korea - Seoul</b> Tel: 82-2-554-7200</p> <p><b>Malaysia - Kuala Lumpur</b> Tel: 60-3-7651-7906</p> <p><b>Malaysia - Penang</b> Tel: 60-4-227-8870</p> <p><b>Philippines - Manila</b> Tel: 63-2-634-9065</p> <p><b>Singapore</b> Tel: 65-6334-8870</p> <p><b>Taiwan - Hsin Chu</b> Tel: 886-3-577-8366</p> <p><b>Taiwan - Kaohsiung</b> Tel: 886-7-213-7830</p> <p><b>Taiwan - Taipei</b> Tel: 886-2-2508-8600</p> <p><b>Thailand - Bangkok</b> Tel: 66-2-694-1351</p> <p><b>Vietnam - Ho Chi Minh</b> Tel: 84-28-5448-2100</p>	<p><b>Austria - Wels</b> Tel: 43-7242-2244-39 Fax: 43-7242-2244-393</p> <p><b>Denmark - Copenhagen</b> Tel: 45-4450-2828 Fax: 45-4485-2829</p> <p><b>Finland - Espoo</b> Tel: 358-9-4520-820</p> <p><b>France - Paris</b> Tel: 33-1-69-53-63-20 Fax: 33-1-69-30-90-79</p> <p><b>Germany - Garching</b> Tel: 49-8931-9700</p> <p><b>Germany - Haan</b> Tel: 49-2129-3766400</p> <p><b>Germany - Heilbronn</b> Tel: 49-7131-67-3636</p> <p><b>Germany - Karlsruhe</b> Tel: 49-721-625370</p> <p><b>Germany - Munich</b> Tel: 49-89-627-144-0 Fax: 49-89-627-144-44</p> <p><b>Germany - Rosenheim</b> Tel: 49-8031-354-560</p> <p><b>Israel - Ra'anana</b> Tel: 972-9-744-7705</p> <p><b>Italy - Milan</b> Tel: 39-0331-742611 Fax: 39-0331-466781</p> <p><b>Italy - Padova</b> Tel: 39-049-7625286</p> <p><b>Netherlands - Drunen</b> Tel: 31-416-690399 Fax: 31-416-690340</p> <p><b>Norway - Trondheim</b> Tel: 47-7289-7561</p> <p><b>Poland - Warsaw</b> Tel: 48-22-3325737</p> <p><b>Romania - Bucharest</b> Tel: 40-21-407-87-50</p> <p><b>Spain - Madrid</b> Tel: 34-91-708-08-90 Fax: 34-91-708-08-91</p> <p><b>Sweden - Gothenberg</b> Tel: 46-31-704-60-40</p> <p><b>Sweden - Stockholm</b> Tel: 46-8-5090-4654</p> <p><b>UK - Wokingham</b> Tel: 44-118-921-5800 Fax: 44-118-921-5820</p>