

MODEL NUMBER
ADT-2595-FF-SMA-02

NOTES:

1.0 MATERIALS

- 1.1 HOUSING: STAINLESS STEEL PER ASTM-A582, TYPE 303.
- 1.2 CENTER CONTACT: BERYLLIUM COPPER ROD PER ALLOY C172, PER ASTM B196.
- 1.3 DIELECTRIC: PTFE FLUOROCARBON PER ASTM-D1457.

2.0 PLATING

- 2.1 HOUSING: PASSIVATED PER QQ-P-35 AND MIL-F-14072.
- 2.2 CENTER CONTACT: GOLD PER MIL-G-45204 TYPE II, CLASS 2.

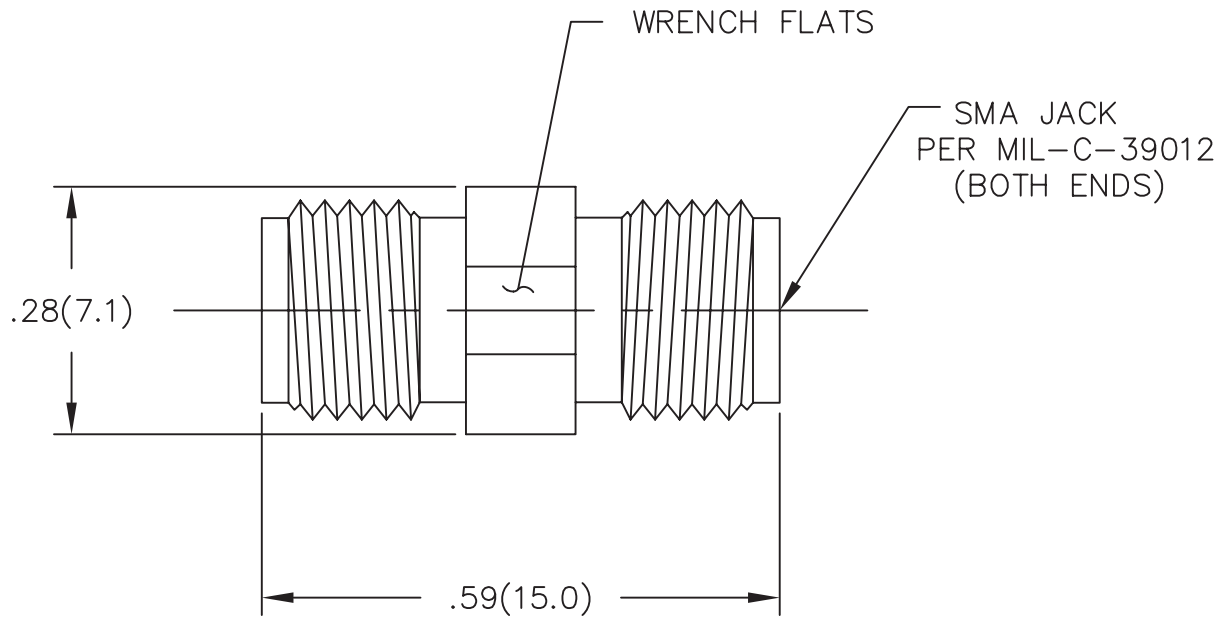
3.0 ELECTRICAL SPECIFICATIONS

- 3.1 FREQUENCY RANGE: DC to 18.0 GHz.
- 3.2 VSWR (MAX): 1.05 + .005f(GHz)
- 3.3 IMPEDANCE: 50 OHMS

4.0 MARKING

- 4.1 NO MARKING REQUIRED ON UNIT.

5.0 DIMENSIONS IN PARENTHESIS ARE MILLIMETERS.



REV.	DESCRIPTION	DATE
I	RELEASED	5/4/93
A	ECR 1614	8/2/82
B	ECR 6545	6/30/88
C	UPDATE ON CAD	5/2/93

DWG. NO. WAS: 02756-01-00

NOTICE: The information contained in this drawing is proprietary and must not be used without the permission of Cinch Connectivity Solutions.

UNLESS OTHERWISE NOTED DIMENSIONS ARE IN INCHES AND TOLERANCES ARE:

3 PLACE DECIMALS ±.005
 2 PLACE DECIMALS ±.02
 FRACTIONS ±1/64
 PARALLELITY: T.I.R.
 FLATNESS: T.I.R.
 CONCENTRICITY: T.I.R.
 ANGLES AND PERPENDICULARITY: ±1'

CAGE CODE
34078

MIDWEST MICROWAVE



TITLE
ADAPTER
SMA JACK TO SMA JACK
OUTLINE DRAWING

DRAWN/DATE
A. BEATTY
5/4/93

ENG./DATE
A. OSGA
5/5/93

CHECKED/DATE
M. HOLLMAN
5/4/93

APPROVED/DATE

DRAWING NUMBER
ADT-2595-FF-SMA-02-01
REV. C

SCALE: 5=1 SHEET 1 of 1