



Chipsmall Limited consists of a professional team with an average of over 10 year of expertise in the distribution of electronic components. Based in Hongkong, we have already established firm and mutual-benefit business relationships with customers from,Europe,America and south Asia,supplying obsolete and hard-to-find components to meet their specific needs.

With the principle of "Quality Parts,Customers Priority,Honest Operation,and Considerate Service",our business mainly focus on the distribution of electronic components. Line cards we deal with include Microchip,ALPS,ROHM,Xilinx,Pulse,ON,Everlight and Freescale. Main products comprise IC,Modules,Potentiometer,IC Socket,Relay,Connector.Our parts cover such applications as commercial,industrial, and automotives areas.

We are looking forward to setting up business relationship with you and hope to provide you with the best service and solution. Let us make a better world for our industry!



## Contact us

Tel: +86-755-8981 8866 Fax: +86-755-8427 6832

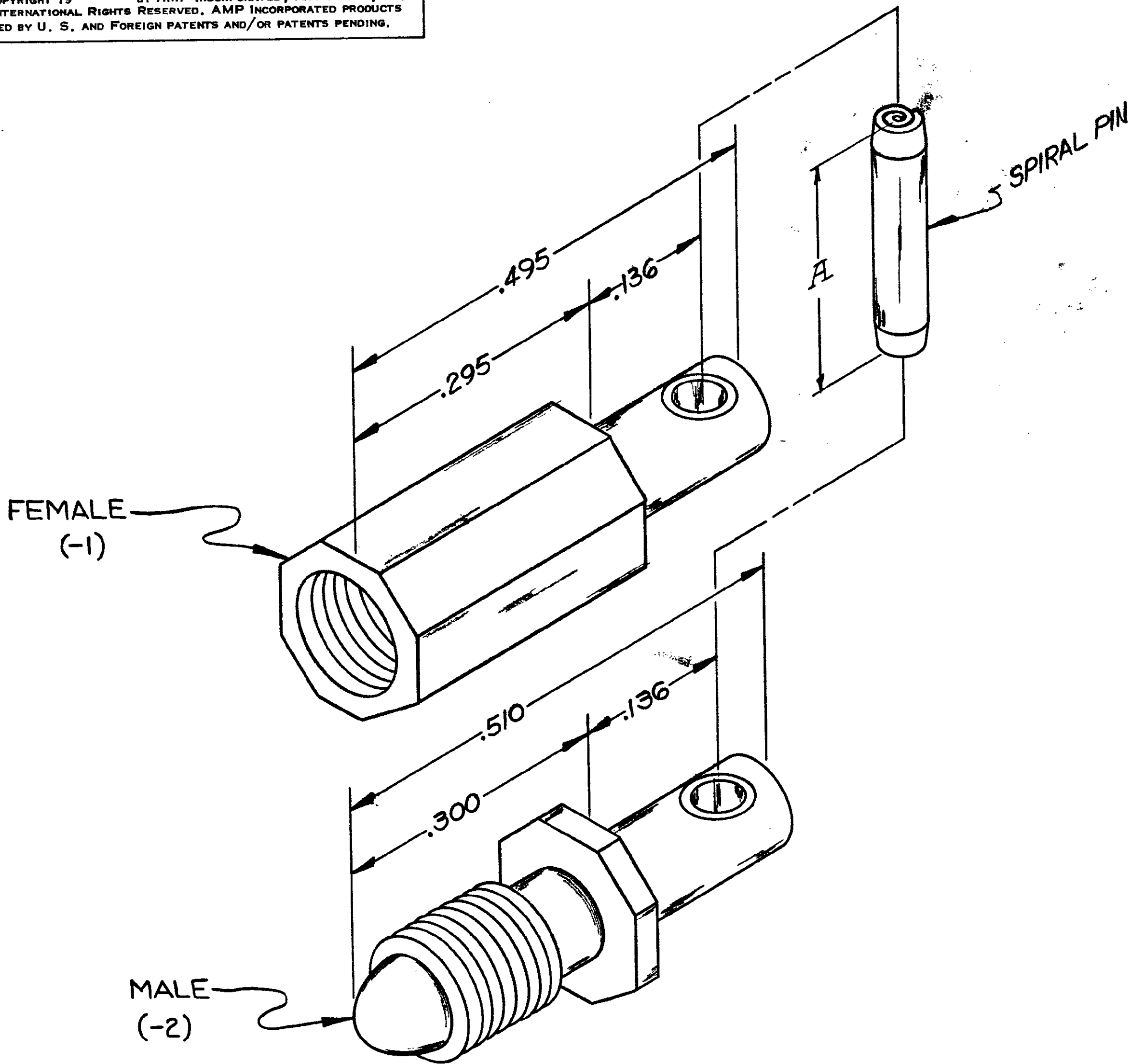
Email & Skype: info@chipsmall.com Web: www.chipsmall.com

Address: A1208, Overseas Decoration Building, #122 Zhenhua RD., Futian, Shenzhen, China



© COPYRIGHT 19 BY AMP INCORPORATED, HARRISBURG, PA.  
 ALL INTERNATIONAL RIGHTS RESERVED. AMP INCORPORATED PRODUCTS  
 COVERED BY U. S. AND FOREIGN PATENTS AND/OR PATENTS PENDING.

REVISIONS						
P	F	ZONE	LTR	DESCRIPTION	DATE	APPROVED
				REL.		
				ADD -3; AB-1664	db 6-26	EAM
				REV PER 0600-5354-96	JB 10-96	AM



1. FEMALE JACKSCREW-SOCKET .240 DEEP, 6-32 UNC-2B DOUBLE THREAD DOUBLE LEAD.
2. MALE JACKSCREW-TIP .270 LONG, 6-32 UNC-2A DOUBLE THREAD DOUBLE LEAD.
3. KIT CONSISTS OF ONE MALE OR ONE FEMALE JACKSCREW AND ONE SPIRAL PIN.

.187±.015	FEMALE JACKSCREW KIT	531985-3
.250	MALE JACKSCREW KIT	531985-2
.250	FEMALE JACKSCREW KIT	531985-1
A	DESCRIPTION	PART NO

UNLESS OTHERWISE SPECIFIED DIMENSIONS ARE IN INCHES. TOLERANCES ON: DECIMALS ± .010 ANGLES ±	CONTRACT NO	AMP   AMP INCORPORATED Harrisburg, Pa.	
	DR IRSHAFFNER 12-19-80	NAME JACKSCREW, FIXED ASSEMBLY, FOR RIGHT ANGLE BOX CONNECTOR	
MATERIAL STAINLESS STEEL	CHK E. W. D... 12/10/80	APPD E. Parsons 12-30-80	
FINISH PASSIVATED	DSGN APPD	SIZE CODE IDENT NO	DRAWING NO
	OTHER APPD	C 00779	531985
		SCALE 1Δ:1	SHEET 1 OF 1

CUSTOMER DRAWING

531985