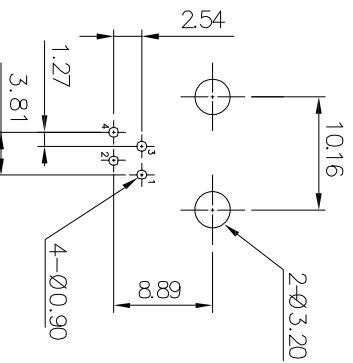


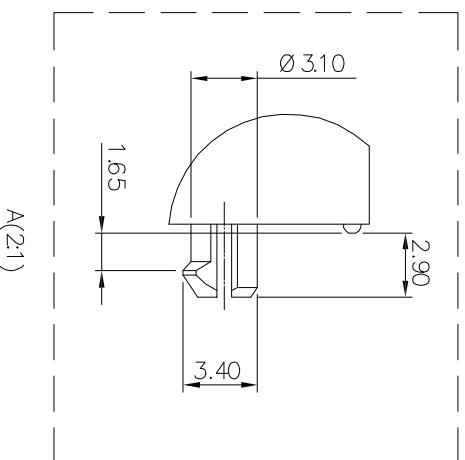
- Specification:**
1. Electrical Char
Insulation Resistance: 500M Ω min. 500V DC for 1 minute
Contact Resistance: 20m Ω max.
Rating Current: 1.5A max.
Rating Voltage: 120V AC
Dielectric Voltage: 1000 Vrms at 1MA 60 sec. min.

2. Physical Char
Housing: PBT Glass filled (UL 94V-0) Color: Black
Soldering Temperature: 235°C for 5 sec.
Spring Wire: 0.45mm Dia Phosphor Bronze
6 μ " Gold plating over Nickel
Temperature Range: -40°C to +85°C
Durability: 500 mating cycles min.

3. Packing: Tray



PCB LAYOUT (6P4C)
(Top View)



RoHS compliant

Unit:mm

Scale	Free	Angle
TOLERANCE		+0°30'
.XX	±0.20	
.XXX	±0.13	
.XXXX	±0.05	
DIM	TOL	
Drawn	Modification	
04.08.2016	Date	Winnie
Winnie	Name	
Drawn	Date	Winnie
Approved	04.08.2016	Winnie

ASSMANN
components

Customer-No.

ASSMANN WSW-No.
A-2014-0-4-N-T-R

Drawing-No.

ASS 7326 CO rev00

Replace

SHEET