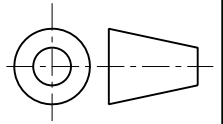


CAD-Original
nicht ändern

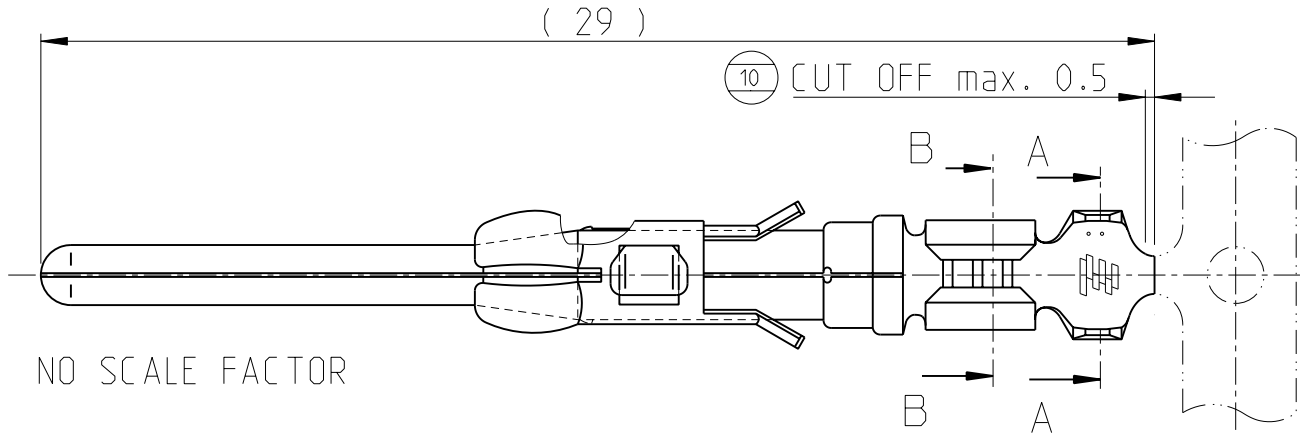
DRAWING VALID FROM:
Zeichnung gültig ab: — —

METRIC



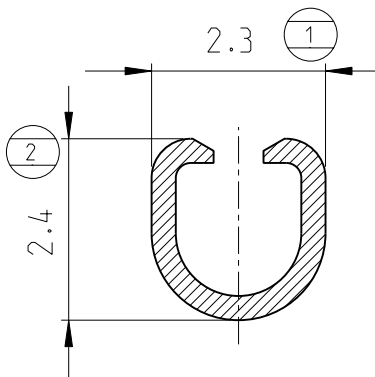
EUROPEAN PROJECTION

USE HANDTOOL: CRIMPAC TOOL II PN 0-825582-0

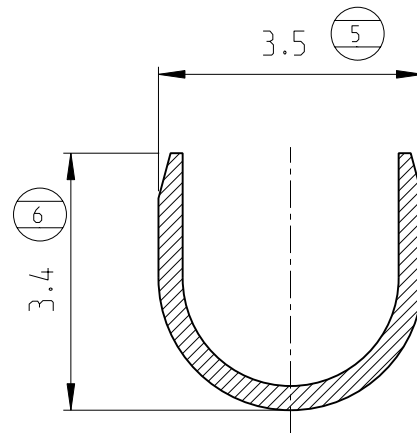


NO SCALE FACTOR

WIRE BARREL
B-B



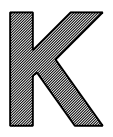
INSULATION BARREL
A-A



1 CRIMP PRE-FORMED

2 DIMENSIONS FOR STRIP-FORM SEE DRAWING NO. C-926980

0-926980-2		PRE TINNED		CuZn 30		0-926981-2		D	
0-926980-1		PRE TINNED		CuSn 4		0-926981-1		D	
MADE FROM		FINISH		MATERIAL		LP NO		REV	
LOC		GT		WIRE RANGE		TOLERANCES		Tyco Electronics Czech s.r.o. CZ- K AMP 1293, 664 34 Kurim	
DIST		-		0.5-1.0 mm ²		±0.2		NAME	
D2		SEE ECN		SEE ECR-10-017608		Pavlicek Straka		29SEP2010	
LTR		REVISION RECORD		ECN		DR CHK		DATE	
DR		30JAN2010		APPD		12.10.10		INSULATION RANGE	
M. Pavlicek				T. Konecny				D2	
CHK		5FEB2010		REL				Ø2.0-2.7 mm	
P. Straka								SCALE	
								10:1	
								LOC	
								GT	
								NUMBER	
								A4	
								926981	
								REV	
								D2	



THIS INFORMATION IS CONFIDENTIAL AND IS DISCLOSED TO YOU ON CONDITION THAT NO FURTHER DISCLOSURE IS MADE BY YOU TO OTHER THAN AMP PERSONNEL WITHOUT WRITTEN AUTHORIZATION FROM AMP DEUTSCHLAND GMBH, LANGEN B.F.F.H.