



AMP★ EXTRACTION TOOL
91111-1

REDUCED FOR PACKAGING

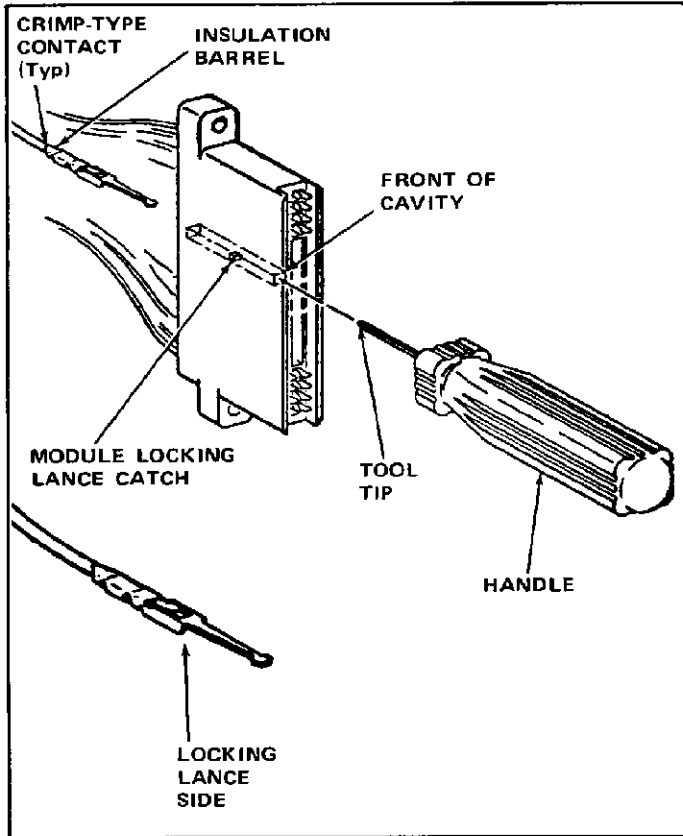
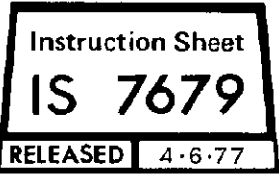


Fig. 1

1. INTRODUCTION

AMP Extraction Tool 91111-1 is designed for removing contacts from AMP Zero Entry plug modules. Read this material thoroughly before extracting any contacts.

NOTE All dimensions presented on this instruction sheet are in inches, unless otherwise stated.

2. DESCRIPTION

This tool features a plastic handle with a chamfered metal tool tip for releasing the contact locking lance. The tool number is marked on the handle.

3. EXTRACTION PROCEDURE

NOTE The plug module must be removed from the housing assembly before extracting any contacts.

Refer to Figure 1 and proceed as follows:

1. Align tool tip with FRONT of desired contact cavity.

2. Orient tool so that tool tip will enter cavity on locking lance side of contact.
3. Insert tool tip straight into cavity until it bottoms against module locking lance catch. The contact locking lance is now released. Hold tool in this position.
4. Grasp wire—directly behind contact insulation barrel—and pull contact part way out BACK of module.
5. Remove tool and pull contact out of module.

4. TOOL CERTIFICATION

AMP Extraction Tool 91111-1 should be certified with the information provided in Figure 2. The tool should be inspected immediately upon arrival at your facility to be sure it has not been damaged in transit, and at regularly scheduled intervals to be sure it remains functional.

Additional tools can be purchased from:

AMP Incorporated
Eisenhower Boulevard
Harrisburg, Pennsylvania 17105

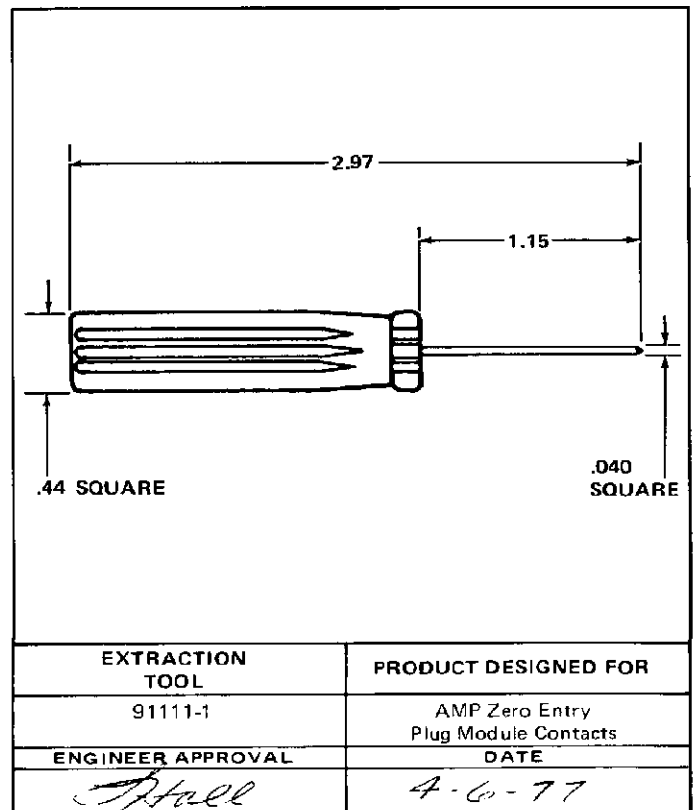


Fig. 2

Copyright 1975, 1977 by AMP Incorporated, Harrisburg, Pa. All International Rights Reserved. AMP Incorporated products covered by U.S. and Foreign patents and/or patents pending.