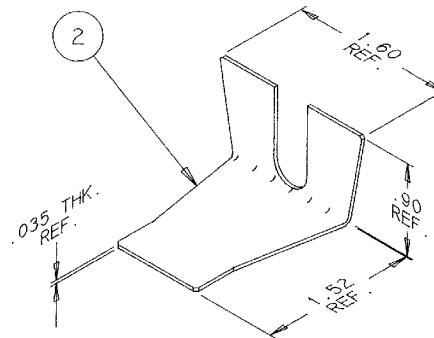
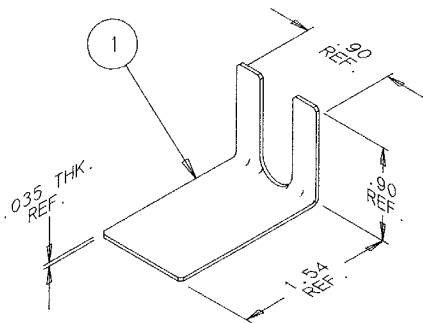


REVISIONS			
LTR	DESCRIPTION	DATE	APPROVED
N/C	NEW RELEASE PER ECN T-16734	9/20/91	<i>[Signature]</i>



ITEM	QTY	DESCRIPTION
1	2	BLADE, 1" MTC REMOVAL
2	2	BLADE, 1.5" MTC REMOVAL

If this document is printed it becomes uncontrolled. Check for the latest revision.

SPECIFICATION CONTROL DRAWING © Raychem Corporation 1988

UNLESS OTHERWISE SPECIFIED DIMENSIONS ARE IN INCHES. METRIC DIMENSIONS ARE IN BRACKETS. DECIMALS .XXX ± [mm] .XX ± [mm] ANGLES WEIGHT lbs [g]	DRAWN	<i>R. RAMIREZ</i>	9/20/91	Raychem TITLE INSERT REMOVAL BLADE SET <i>CE-1604800</i>	RAYCHEM CORPORATION 300 CONSTITUTION DRIVE MENLO PARK, CALIFORNIA 94025
	CHECKED				
	APPROVED	<i>[Signature]</i>	9/20/91		
	APPROVED				
	CAD NAME	69		SIZE	B
	THIRD ANGLE PROJECTION			CODE IDENT. NO.	06090
				DWG. NO.	CE-1604800
				DO NOT SCALE THIS DRAWING	SCALE 1/1