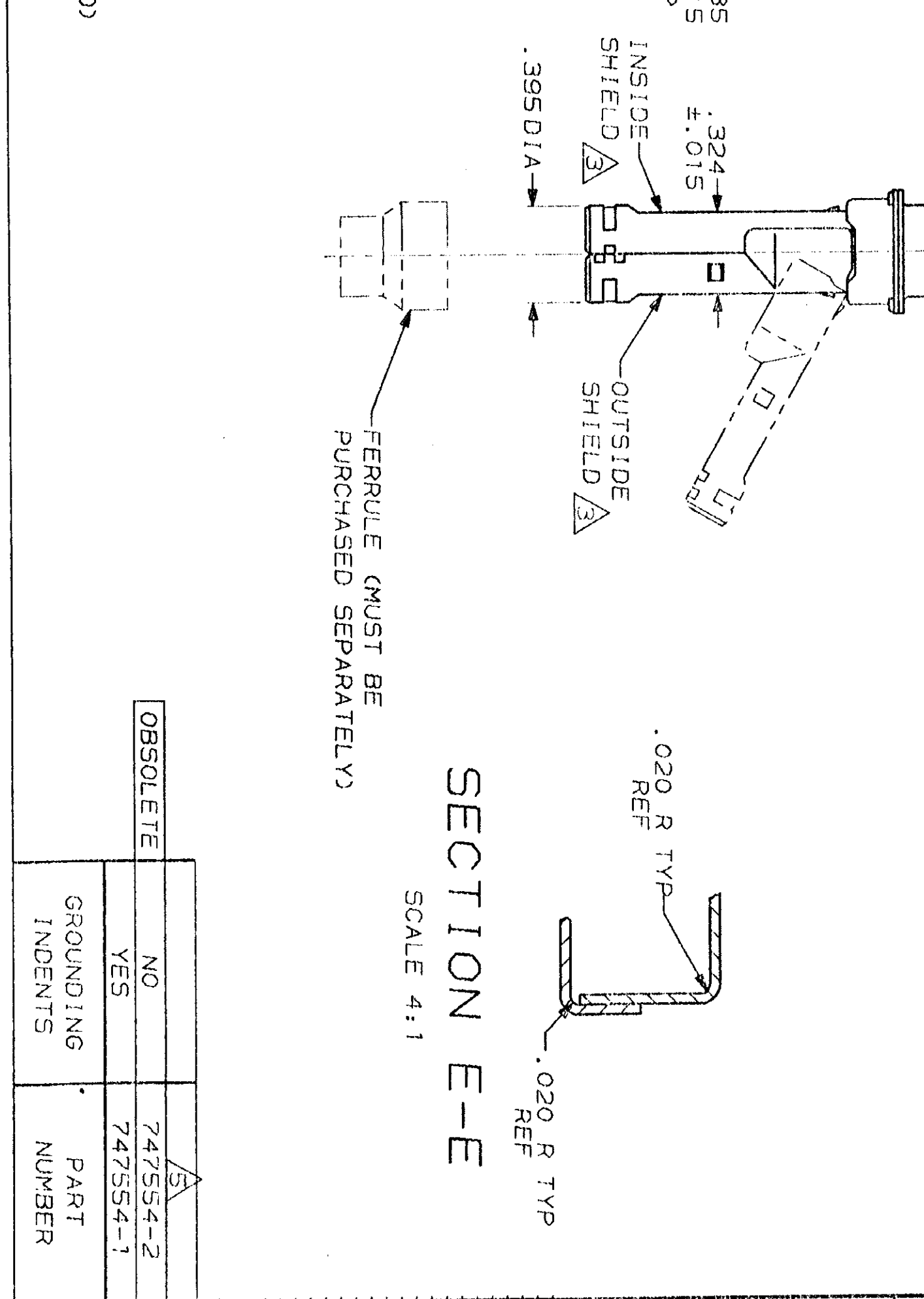
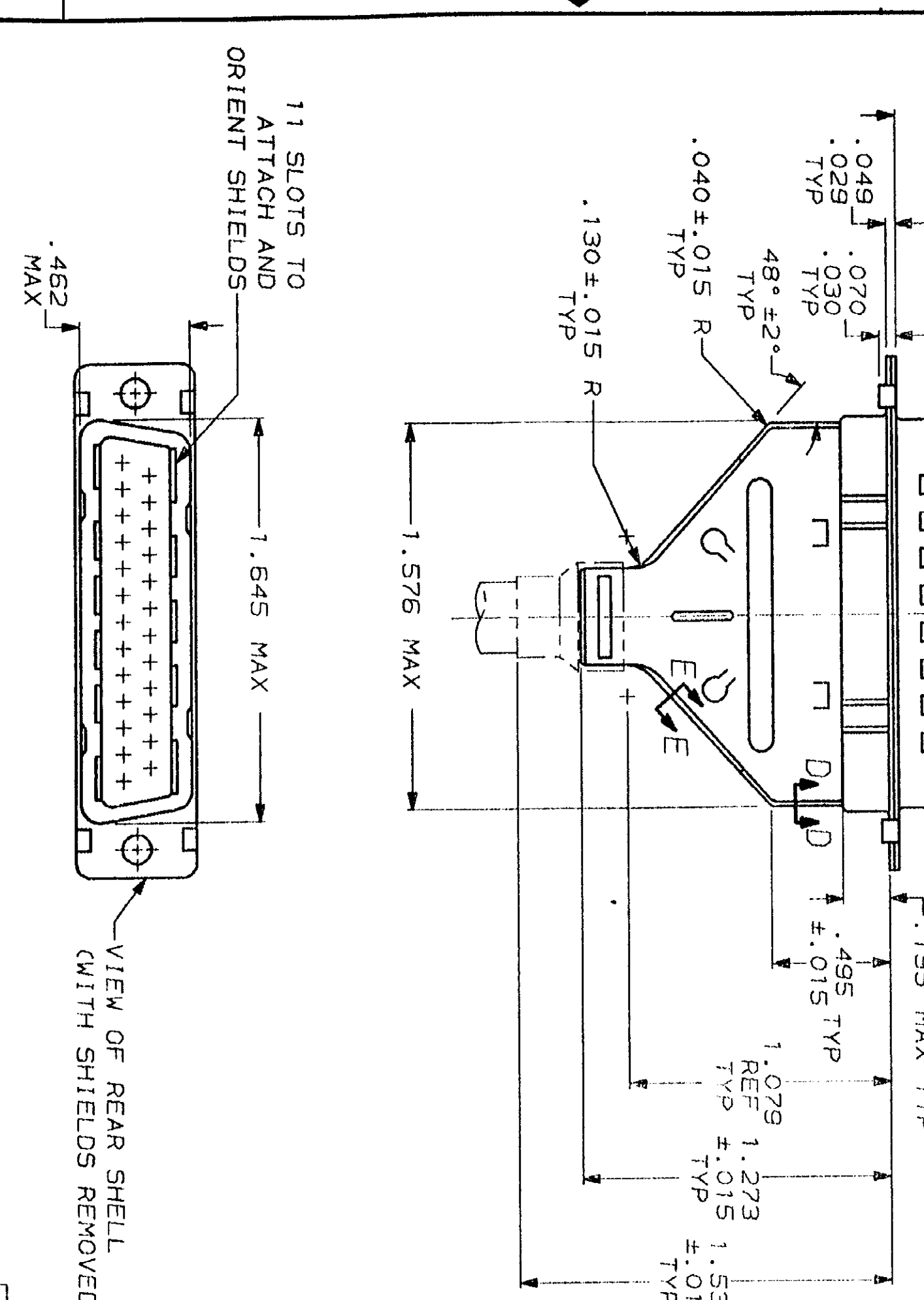
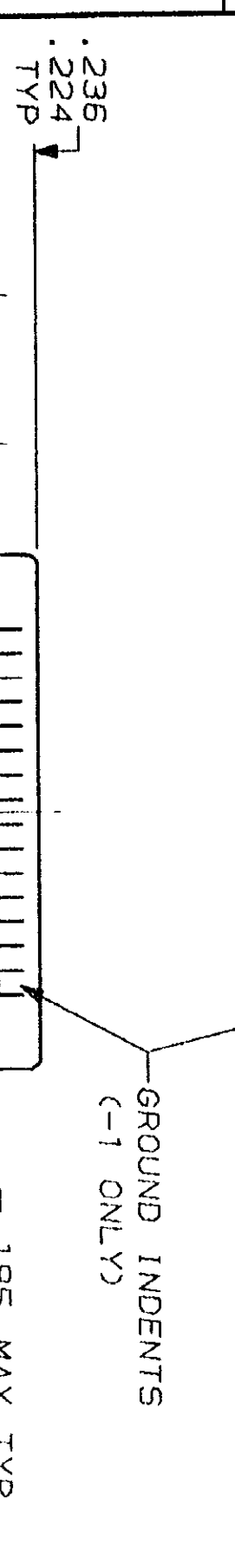
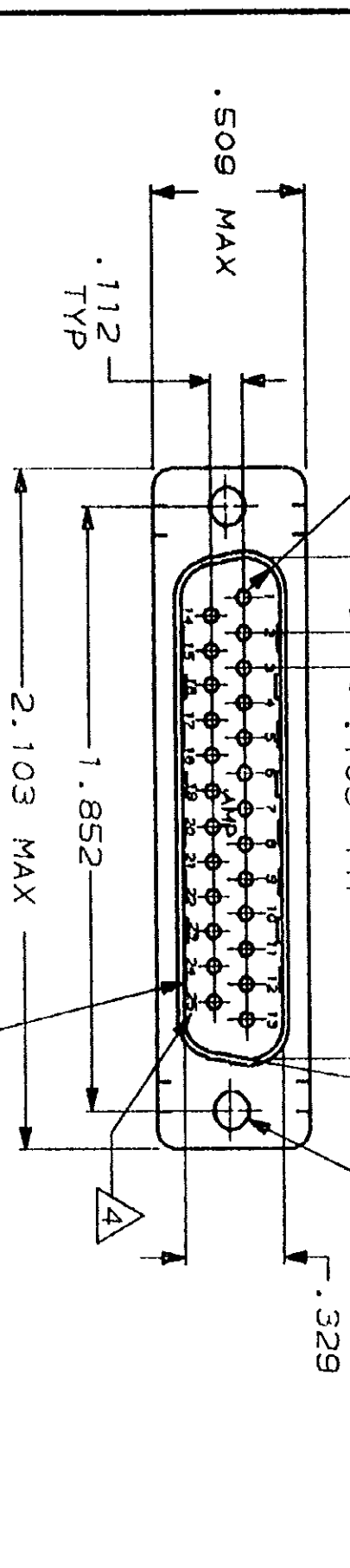


REV	DATE	APP'D	DESCRIPTION
5-30-90			
6/24/90			
6/19/92		TS	REV PER ECN BD4294
07/09/92		SB	08S -2 PER ECN BD6177 ADDED -3 PER NPR 4258



1. PLUG ACCEPTS SIZE 20 PIN CONTACTS (CONTACTS MUST BE ORDERED SEPARATELY).
2. ALL PARTS SHIPPED UNASSEMBLED, EACH PART INDIVIDUALLY BULK PACKED.
3. SHIELDS: MATERIAL-.020 THICK STEEL, TIN PLATED PER MIL-T-10727.
4. RAISED CAVITY IDENTIFICATION AND AMP TRADEMARK.
5. SEE RESTRICTED CUSTOMER DRAWING 747554-3.

DO NOT SCALE PRINT. UNLESS SPECIFIED DIMENSIONS IN INCHES TOLERANCES ON:	DR 5-30-90 J GALLUCCI B6	NAME	AMP INCORPORATED Mortimer, Pa. 17105
1 PLC DEC # .005	CHK 8-31-90 J. McCLINTON	FINISH	SEE CALL OUT & NOTE 3
2 PLC DEC # .005	APPD 9-4-90 BOB TAYLOR	APPLICATION SPEC	SEE CALL OUT & NOTE 3
3 PLC DEC # 0°30'	APPD 9-4-90 J. ASSINI	WEIGHT	
MATERIAL	PRODUCT SPEC	SCALE	2:1
KIT, PLUG, SHIELDING HARDWARE, SIZE 3, 25 POSN, HDP-20, AMPLIMITE™		SIZE	FSCM NO 00779
		DRAWING NO	747554
		SHEET	1 OF 1

OBSOLETE	NO	747554-2
GROUNDING	YES	747554-1
INDENTS		
PART NUMBER		