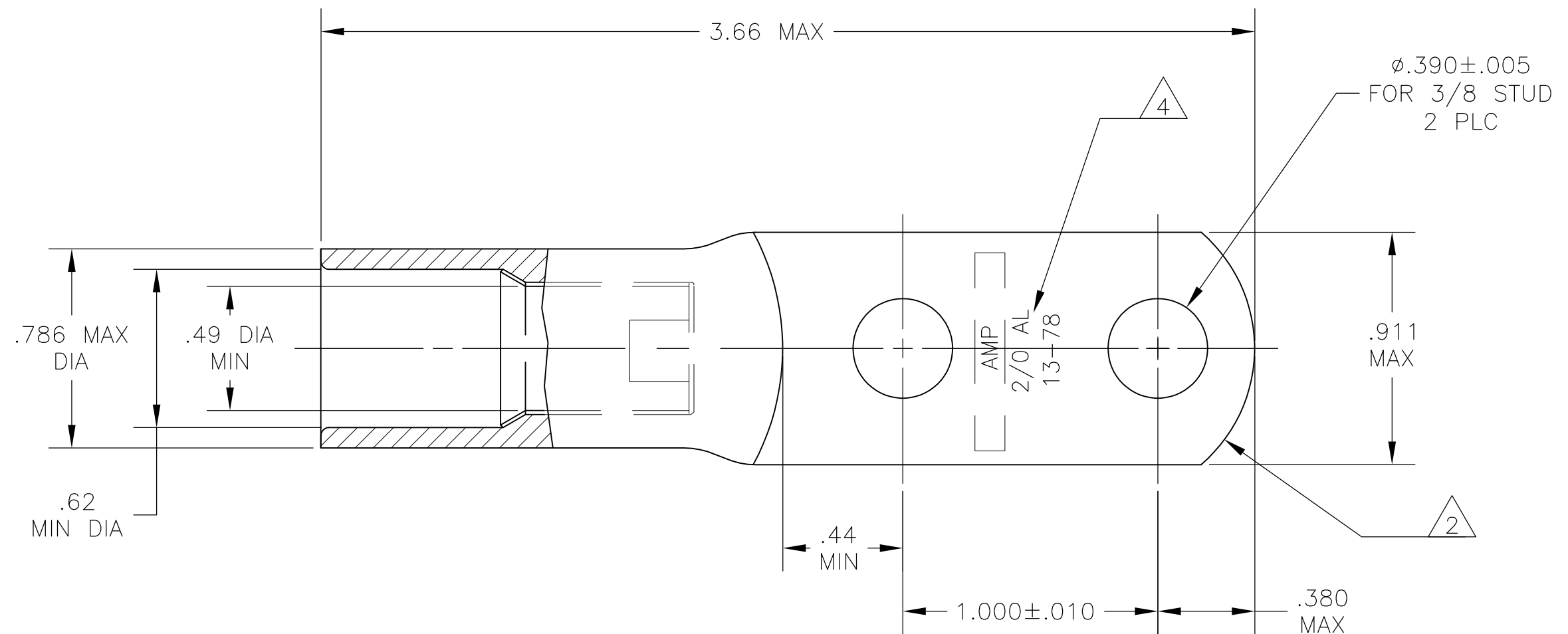
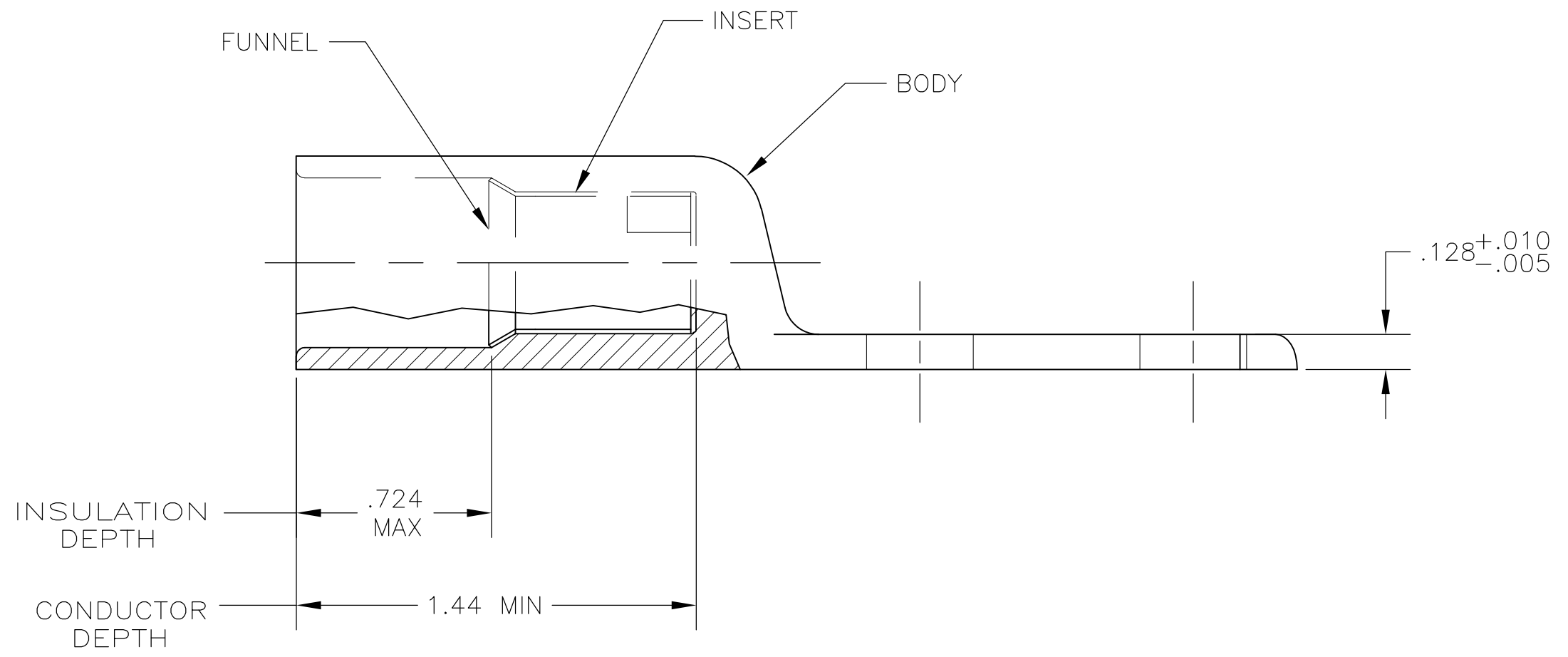


THIS DRAWING IS UNPUBLISHED. RELEASED FOR PUBLICATION
 © COPYRIGHT - By - ALL RIGHTS RESERVED.

LOC		DIST		REVISIONS			
P	LTR	DESCRIPTION	DATE	DWN	APVD		
	H	REV PER ECO 13-016711	10-27-13	CT	JW		



- 1 WIRE INSULATION: .520-.574 DIA
- 2 THE TONGUE RADIUS FEATURE IS NOT A TOOLING CONTROLLED DIMENSION AND MAY NOT BE A TRUE RADIUS.
- 3 .020 FLASH PERMITTED ON WIRE BARRELL DUE TO IMPACTING
- 4 STAMP "AMP 2/0 AL 13-78" SIZE AND LOCATION APPROX AS SHOWN



BODY: COPPER ASTM-B187 ANNEALED TIN PL PER ASTM B-545 .000150 MIN THK	696840-1
INSERT & FUNNEL: BRASS PER ASTM B36 NICKEL PLATE SAE AMS QQ-N-290A, DATED JULY 2000, .000100 MIN THK	
MATERIAL & FINISH	PART NO.

THIS DRAWING IS A CONTROLLED DOCUMENT.		DWN	JR RUTH	04OCT05	 TE Connectivity
DIMENSIONS: INCHES		CHK	MJ SPICER	04OCT05	
TOLERANCES UNLESS OTHERWISE SPECIFIED:		APVD	MJ SPICER	04OCT05	
0 PLC ± - 1 PLC ± - 2 PLC ± .01 3 PLC ± .008 4 PLC ± - ANGLES ± - FINISH SEE TABLE		PRODUCT SPEC	NAME		
MATERIAL SEE TABLE		APPLICATION SPEC	WIRE TERMINAL, RING TONGUE, SEALED COPALUM, WIRE SIZE: 2/0 ALUMINUM		RESTRICTED TO
		WEIGHT	91 GRAMS	SIZE	A2
		CUSTOMER DRAWING	SCALE	2:1	SHEET
				CAGE CODE	00779
				DRAWING NO	696840
				REV	H

696840