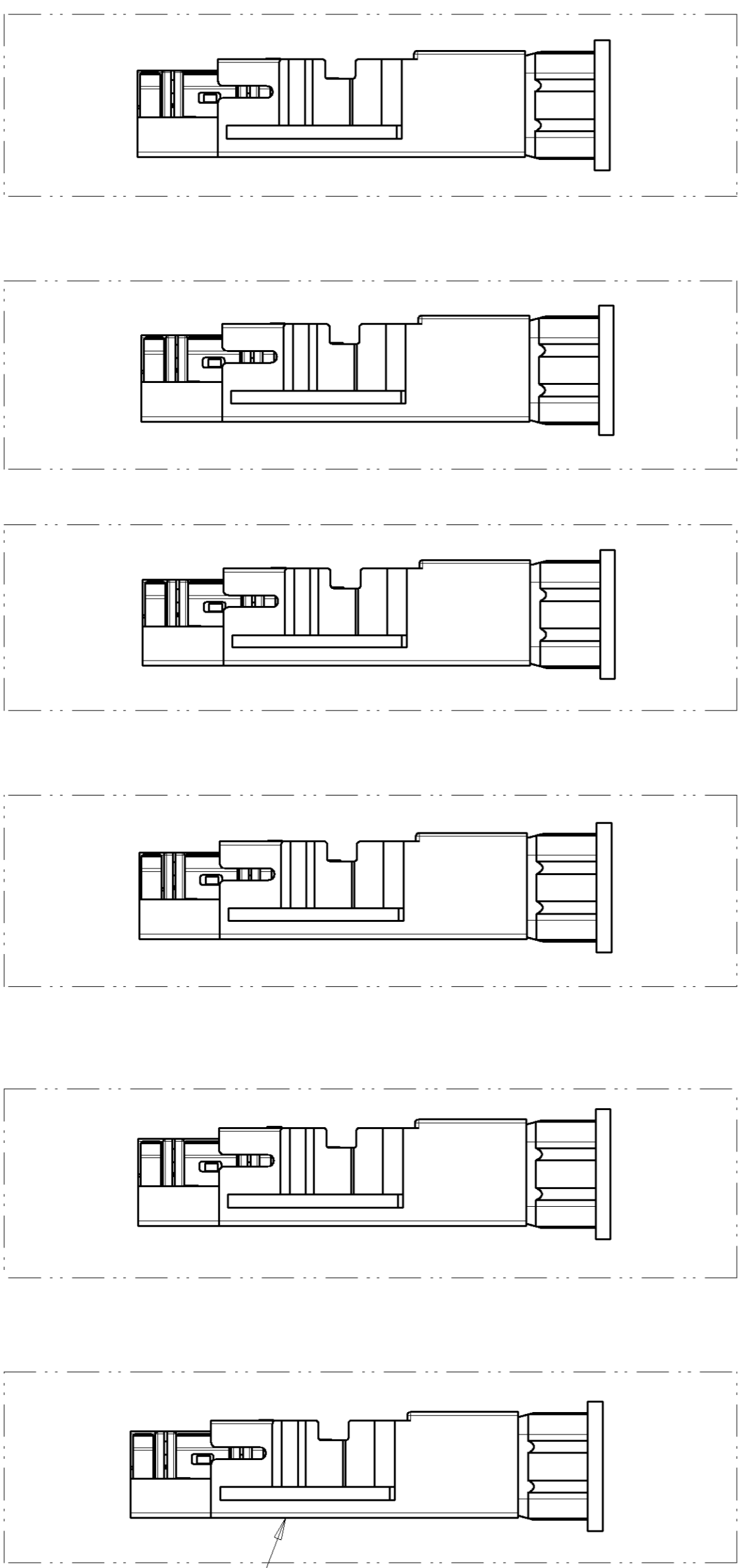
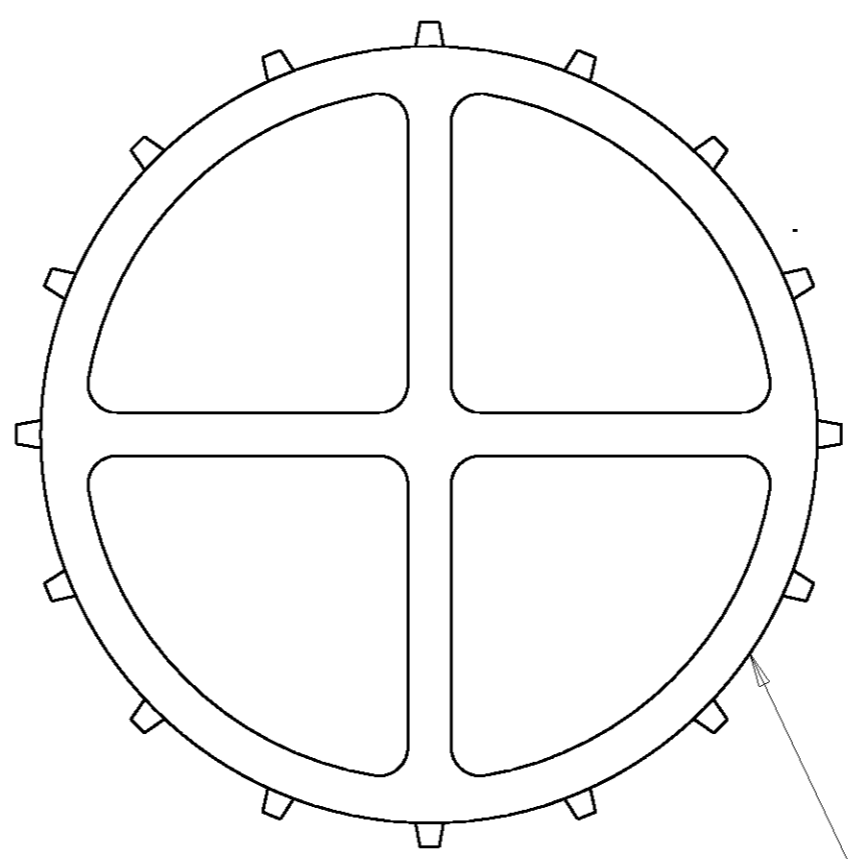


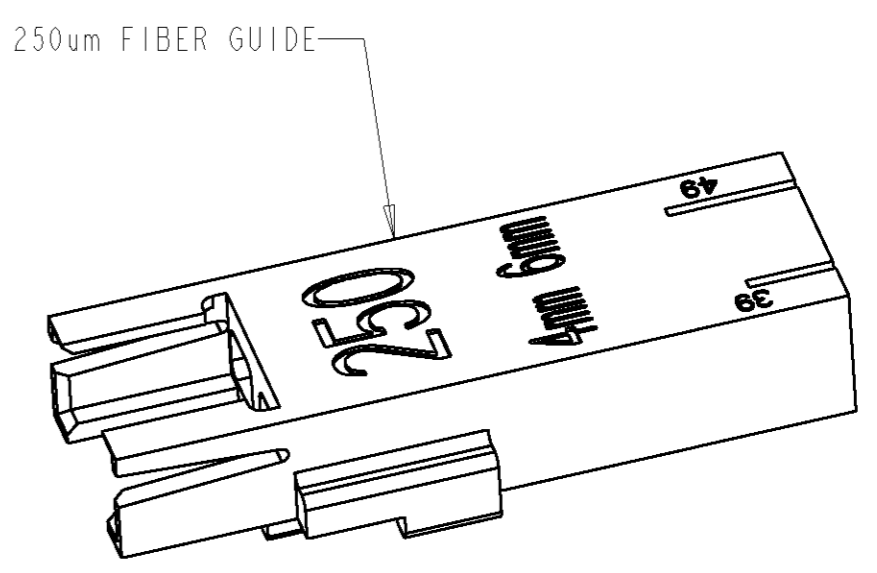
LOC	DIST	REVISIONS			
P	LTR	DESCRIPTION	DATE	DWN	APVD
CE	00	A	REV PER ECR-06-003731	16FEB2006	BB DK



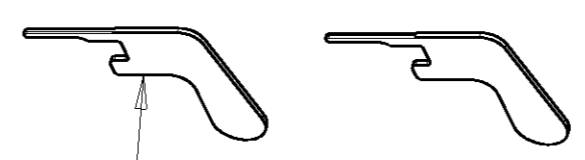
MT-RJ SECURE JACK XG MODULE ASSEMBLY



ICON WHEEL



250um FIBER GUIDE



MT-RJ ACTUATION KEY

DESCRIPTION	PART NUMBER
SLATE (K10)	1-6693951-0
ORANGE (K9)	6693951-9
VIOLET (K8)	6693951-8
BROWN (K7)	6693951-7
AQUA (K6)	6693951-6
ROSE (K5)	6693951-5
BLUE (K4)	6693951-4
GREEN (K3)	6693951-3
YELLOW (K2)	6693951-2
RED (K1)	6693951-1

<small>THIS DRAWING IS A CONTROLLED DOCUMENT FOR AMP INCORPORATED. IT IS SUBJECT TO CHANGE AND THE CONTROLLING ENGINEERING ORGANIZATION SHOULD BE CONTACTED FOR THE LATEST REVISION.</small>		DWN B. BRIGGS 14NOV2005 CHK D. KIRSCH 14NOV2005 APVD S. BUCHTER 14NOV2005	AMP AMP Incorporated Harrisburg, PA 17105-3608
DIMENSIONS: mm	TOLERANCES UNLESS OTHERWISE SPECIFIED: 0 PLC ± 1 PLC ± 2 PLC ± 3 PLC ± 4 PLC ± ANGLES ± FINISH -	PRODUCT SPEC - APPLICATION SPEC - WEIGHT -	NAME MT-RJ SECURE JACK KIT, 6-PACK, XG, 250um, 50/125 SIZE A2 CAGE CODE 00779 DRAWING NO. 6693951
MATERIAL -		CUSTOMER DRAWING	SCALE NTS SHEET 1 OF 1 REV A