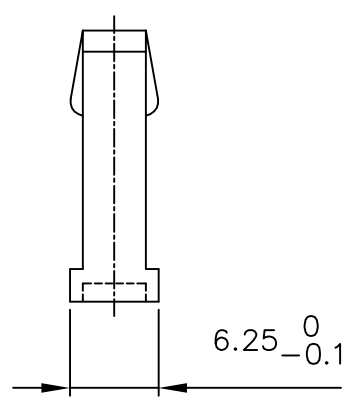
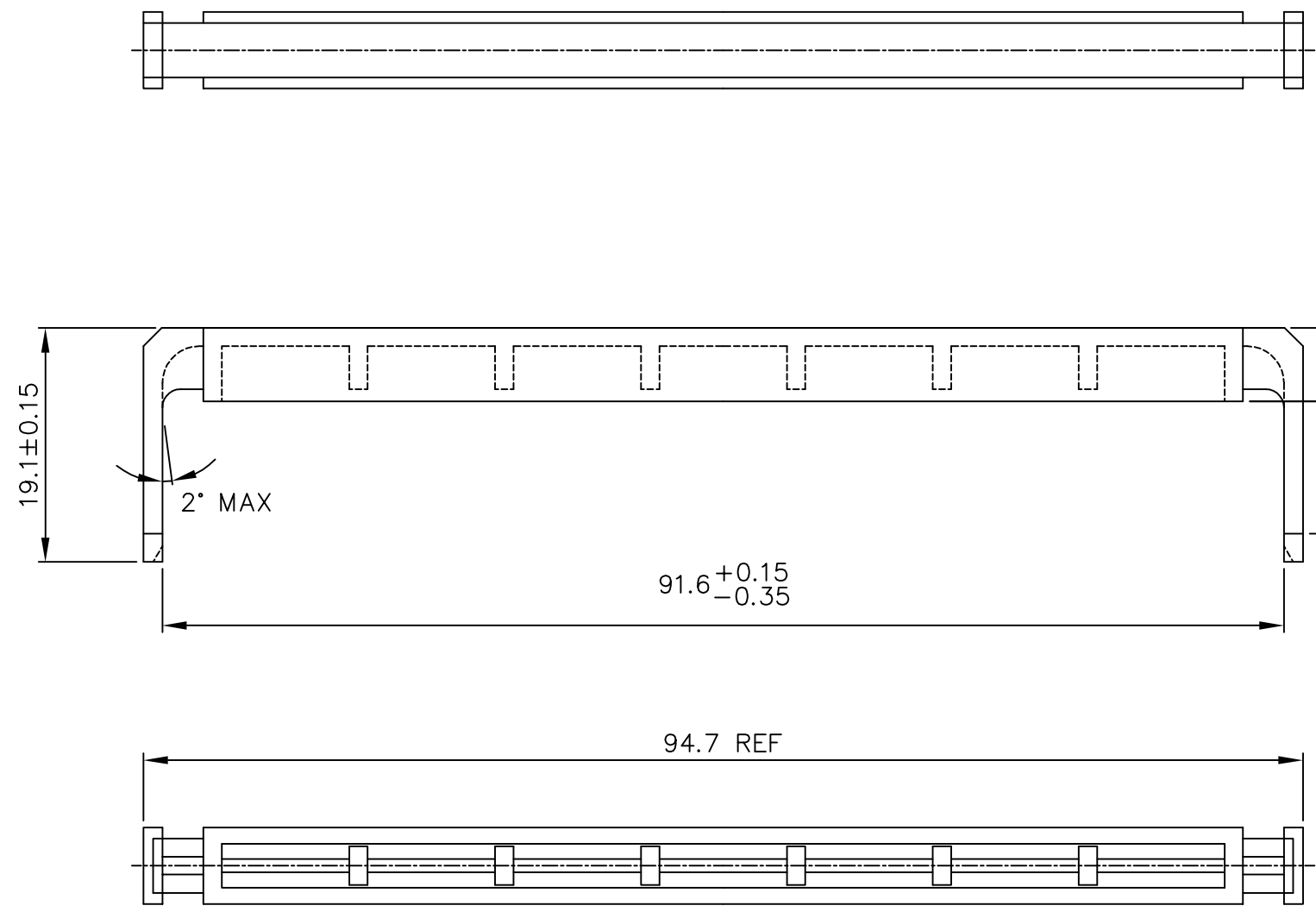


PRODUCT NUMBER  
65142-001



NOTES:

- MAT: THERMOPLASTIC POLYESTER 30% GLASSFILLED, FLAME RETARDANT UL-STD 94 VO COLOUR BLACK RAL9005
- CAN BE USED FOR QUICKIE FEMALE 64 POS. PN. 75859-001/-002

NOTES:-

- THIS PRODUCT MEETS EUROPEAN UNION DIRECTIVES AND OTHER COUNTRY REGULATIONS AS DESCRIBED IN GS-22-008.
- LEADFREE OR RoHS DIRECTIVE LABELLING TO BE PROVIDED AS PER GS-14-920.
- " LF " SUFFIX TO PRODUCT NUMBER FOR RoHS COMPATIBLE/ LEADFREE VERSION.
- PARTS WITH AND WITHOUT "LF " SUFFIX ARE FORM-FIT AND FUNCTIONALLY IDENTICAL. " LF " SUFFIX PROVIDED FOR PART NUMBER STANDARDISATION OF PART THAT MEETS RoHS REQUIREMENTS.

mat'l. code		surface		tolerance		projection		product family	
SEE NOTE		ISO 1302		ISO 406 ISO 1101		mm		BACKPANEL	
ltr	ecn no	dr	date	tolerances unless otherwise specified		mm		title	
B	2558	BLI	1981.03.01	angles	linear	mm		QUICKIE FEMALE	
C	3654	JLE	1982-01-01			mm		64 POS. STRAIN RELIEF	
D	H60386	RDK	1996-09-05			scale -			
E	F00406	LLA	2000-05-22	dr	L.NAAJKENS	1978-05-24	FCJ	dwg no	
F	I05-0042	MINI	2005-03-17	engr	W.VAN ALST	1978-05-24		sheet 1 of 1	
G	I05-0248	MINI	2005-11-22	chr	RAKHEE GEORGE	2006-06-01		65142	
H	I06-0068	MINI	2006-06-01	appd	RAKHEE GEORGE	2006-06-01		A3	
sheet index		revision	H					type Product Customer Drawing	
		sheet	1						



Copyright FCI