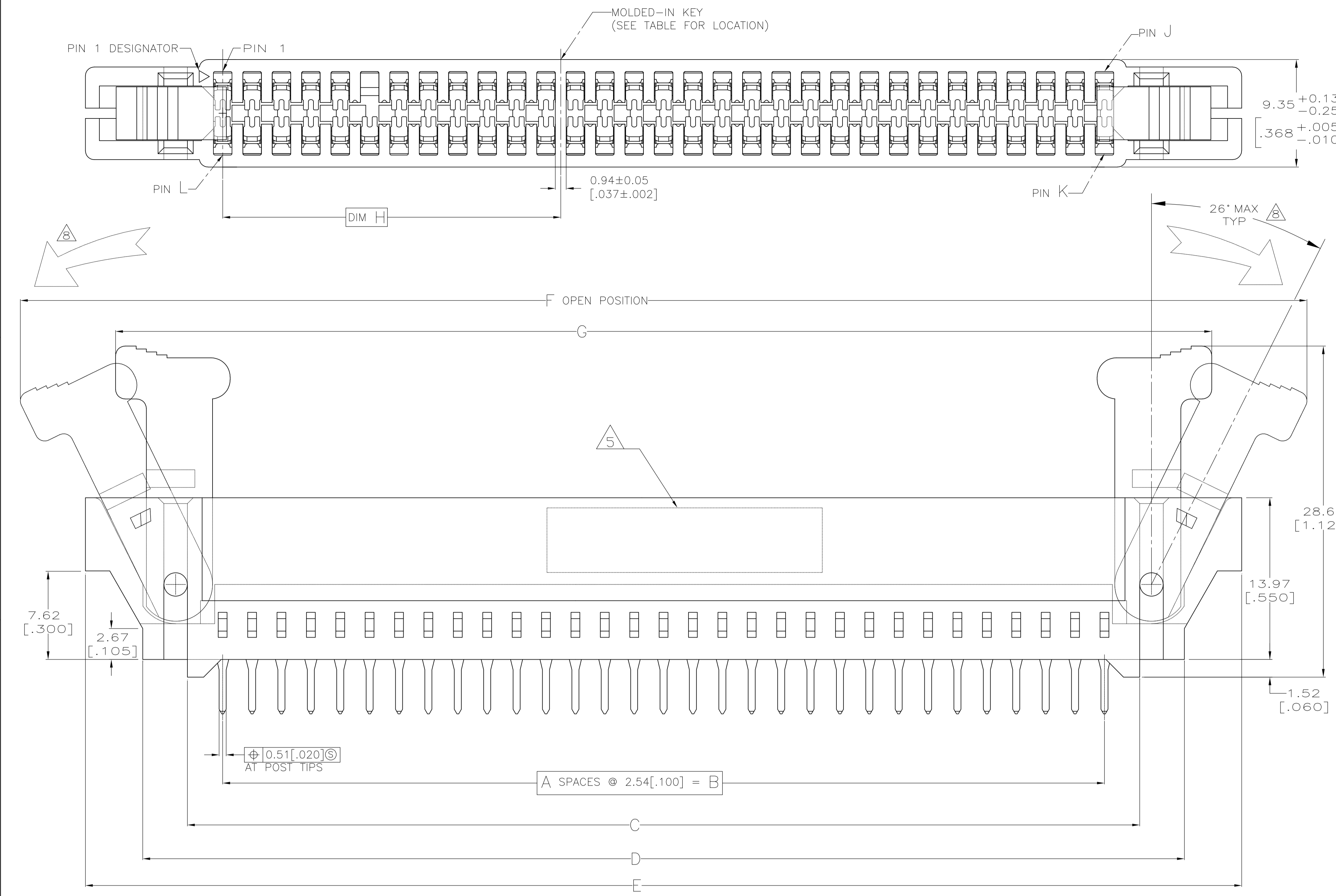
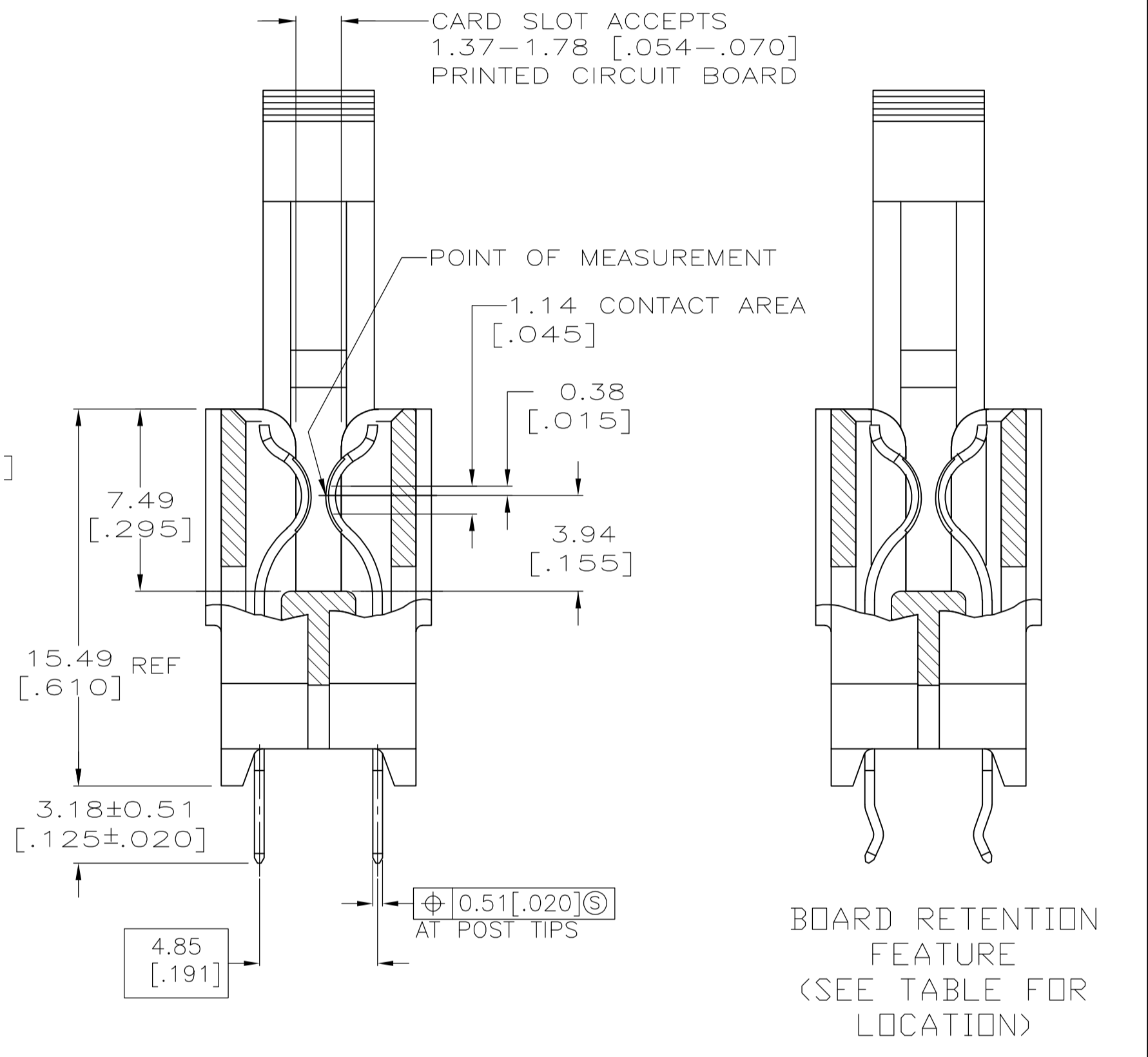


REVISONS		DATE	DMN	APVD
E	ECO-08-029491	04MAR2008	LAM	AWF
E1	REVISED PER ECO-10-000444	19JAN10	KK	HMR



- MATERIAL:  
HOUSING: GLASS FILLED POLYESTER; COLOR: BLACK.  
CONTACT: HIGH CONDUCTIVITY COPPER ALLOY
- FINISH:  
(SEE TABLE) GOLD PLATE IN CONTACT AREA,  
0.00254[.000100] MIN MATTE TIN ON SOLDER POSTS, ALL  
OVER 0.00127[.000050] MIN NICKEL
- 0.00038[.000015] MIN GOLD
- 0.00076[.000030] MIN GOLD
- AMP LOGO, TE PART NUMBER, DATE CODE AND CSA LOGO INK  
STAMPED WHITE (HOT STAMPED OR LAZER PRINTED) IN THE APPROXIMATE  
AREA SHOWN, EITHER SIDE PERMISSIBLE, WHEN HOUSING SIZE PERMITS
- DATUMS AND BASIC DIMENSIONS ESTABLISHED BY CUSTOMER
- CONNECTORS SHOWN ARE USED IN APPLICATIONS WITH VRM MODULES WEIGHING  
3 OUNCES OR LESS. ALTERNATE CONNECTOR AND LATCH METHOD IS AVAILABLE FOR  
VRM MODULES WEIGHING UP TO 6 OUNCES.
- CAUTION: LATCHES ARE INTENDED FOR RETENTION OF PC BOARD TO CONNECTOR.  
DO NOT ATTEMPT TO FULLY EJECT PC BOARD FROM CONNECTOR WHILE DISENGAGING  
LATCHES. DAMAGE TO LATCHES AND OR CONNECTOR MAY OCCUR.
- OBSOLETE PARTS: OBSOLETE CIS STREAMLINING PER D.RENAUD/D.SINISI



<b>OBSOLETE</b>	6489165-2
	PART NUMBER

	9.1, +12 V	2,3,29,30,33,34,60,61	12 & 13	6	49.35 [1.943]	31.50 [1.240]	62	32	31	29.21 [1.150]	97.10 [3.823]	113.00 [4.449]	99.92 [3.934]	90.02 [3.544]	82.52 [3.249]	76.20 [3.000]	30	31	6489165-6
OBSOLETE	9.1, +12 V	2,3,29,30,33,34,60,61	12 & 13	6	49.35 [1.943]	31.50 [1.240]	62	32	31	29.21 [1.150]	97.10 [3.823]	113.00 [4.449]	99.92 [3.934]	90.02 [3.544]	82.52 [3.249]	76.20 [3.000]	30	31	6489165-5
9	-	2,3,12,13,16,17,26,27	24 & 25	28	26.49 [1.043]	11.18 [.440]	28	15	14	8.89 [.350]	53.92 [2.123]	69.82 [2.749]	56.74 [2.234]	46.84 [1.844]	39.34 [1.549]	33.02 [1.300]	13	14	6489165-4
	9.05, +12 V	2,3,29,30,33,34,60,61	11 & 12	6	51.89 [2.043]	28.96 [1.140]	62	32	31	26.67 [1.050]	97.10 [3.823]	113.00 [4.449]	99.92 [3.934]	90.02 [3.544]	82.52 [3.249]	76.20 [3.000]	30	31	6489165-3
	9.1, +12 V	2,3,29,30,33,34,60,61	12 & 13	6	49.35 [1.943]	31.50 [1.240]	62	32	31	29.21 [1.150]	97.10 [3.823]	113.00 [4.449]	99.92 [3.934]	90.02 [3.544]	82.52 [3.249]	76.20 [3.000]	30	31	6489165-1
FINISH	VRM DESIGNATION	RETENTION LOCATION	MOLDED-IN KEY	OMITTED PIN & HOLE	R	P	L	K	J	H	G	F	E	D	C	B	A	NO OF DUAL POSITIONS	PART NUMBER

THIS DRAWING IS A CONTROLLED DOCUMENT.

DIMENSIONS: mm [INCHES]

TOLERANCES UNLESS OTHERWISE SPECIFIED:

0 PLC	± .005
1 PLC	± .005
2 PLC	± 0.13[.005]
3 PLC	± .005
4 PLC	± .005
ANGLES	± .2°

MATERIAL: SEE NOTE 1

FINISH: SEE NOTE 2

AWF/L.A.MAYER 04MAR2008  
A.W.FRANTUM 04MAR2008  
S.FLICKINGER 04MAR2008

Tyco Electronics Corporation  
Harrisburg, PA 17105-3608

CONNECTOR ASSEMBLY  
STANDARD EDGE II, DUAL POSITION  
2.54 [.100] CENTERLINE

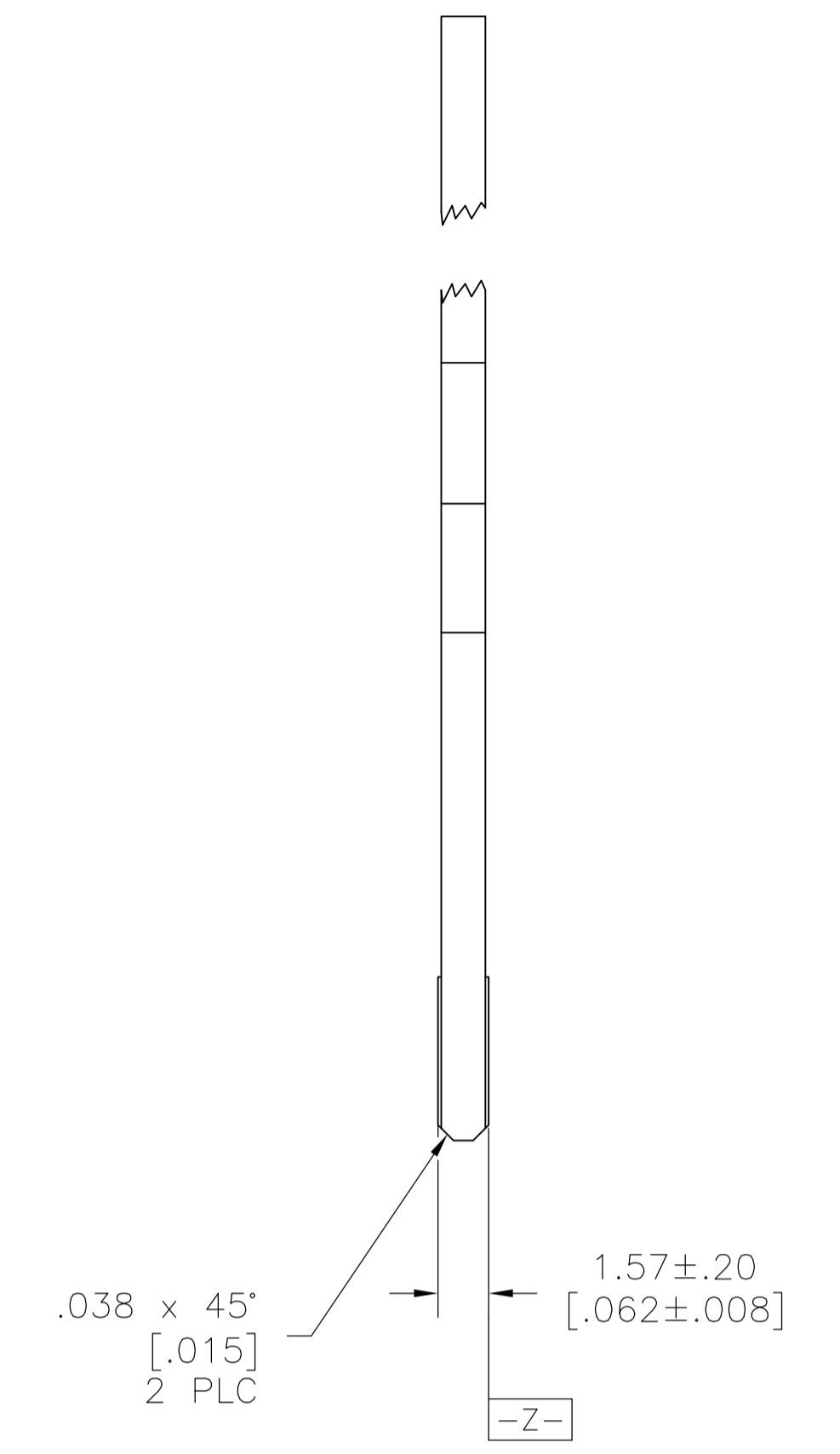
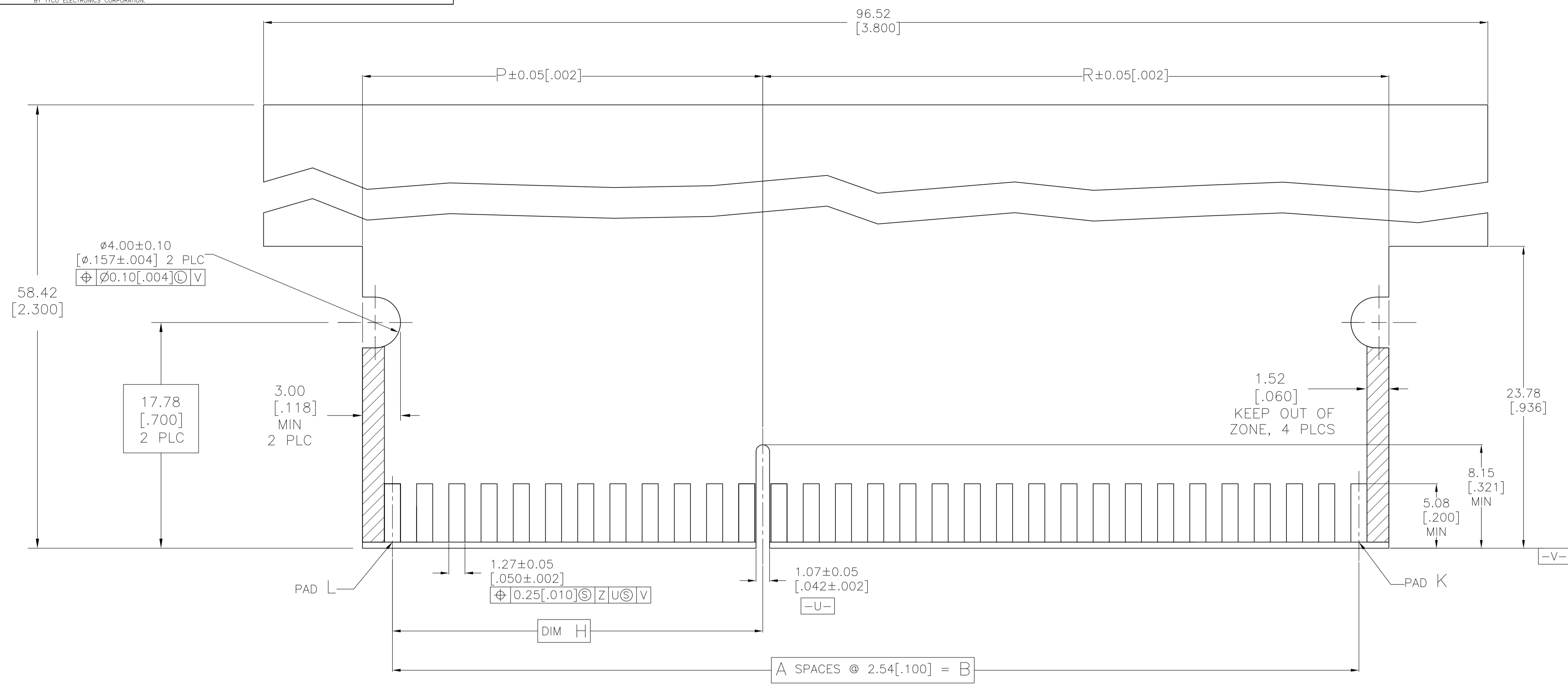
108-9039-2

114-13018

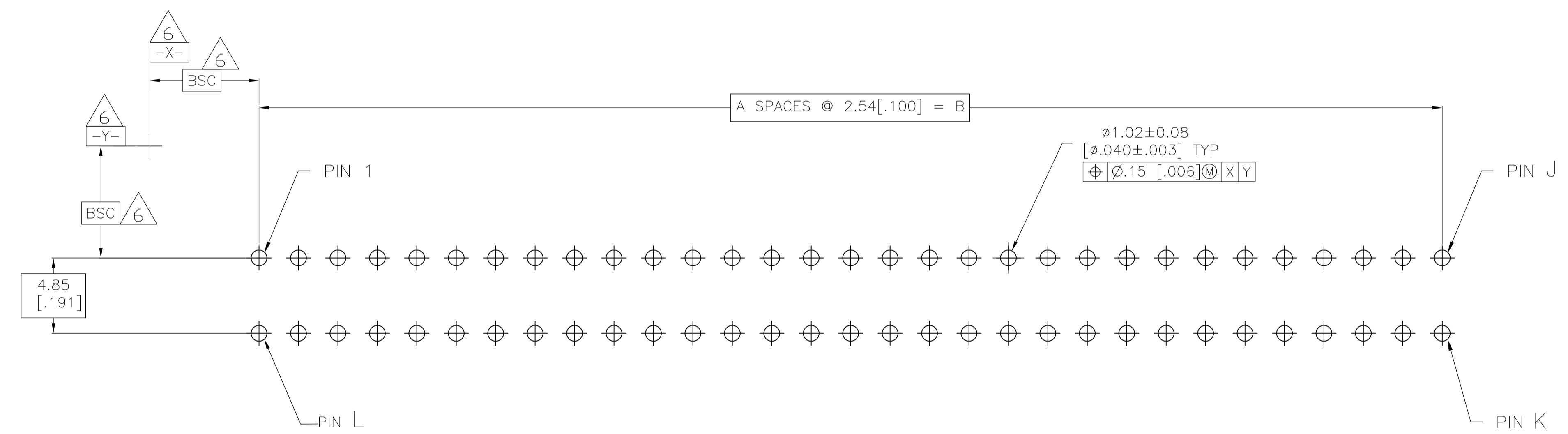
00779 6489165

CUSTOMER DRAWING

SCALE: 5:1 SHEET 1 OF 2 REV E1



RECOMMENDED MATING BOARD EDGE CONFIGURATION



RECOMMENDED PC BOARD HOLE LAYOUT

THIS DRAWING IS A CONTROLLED DOCUMENT.		DIN AWF/L.A.MAYER 04MAR2008		Tyco Electronics Tyco Electronics Corporation Harrisburg, PA 17105-3608	
DIMENSIONS: mm [INCHES]		TOLERANCES UNLESS OTHERWISE SPECIFIED:		AWF/A.W.FRANTUM 04MAR2008	
0 PLC ± -		1 PLC ± -		APVD S.FLICKINGER 04MAR2008	
1 PLC ± -		2 PLC ± 0.13[.005]		NAME	
2 PLC ± -		3 PLC ± -		PRODUCT SPEC	
3 PLC ± -		4 PLC ± -		108-9039-2	
4 PLC ± -		ANGLES ± -		APPLICATION SPEC	
MATERIAL SEE NOTE 1		FINISH SEE NOTE 2		114-13018	
				SIZE CAGE CODE DRAWING NO	
				A1 00779 6489165	
				RESTRICTED TO	
				CUSTOMER DRAWING	
				SCALE 5:1 SHEET 2 OF 2 REV E1	