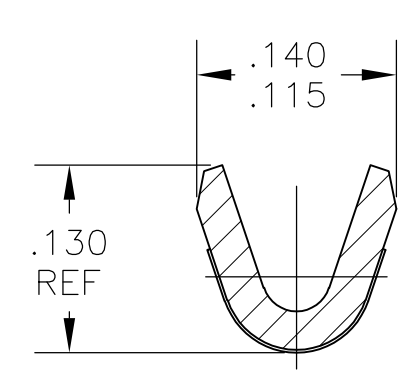
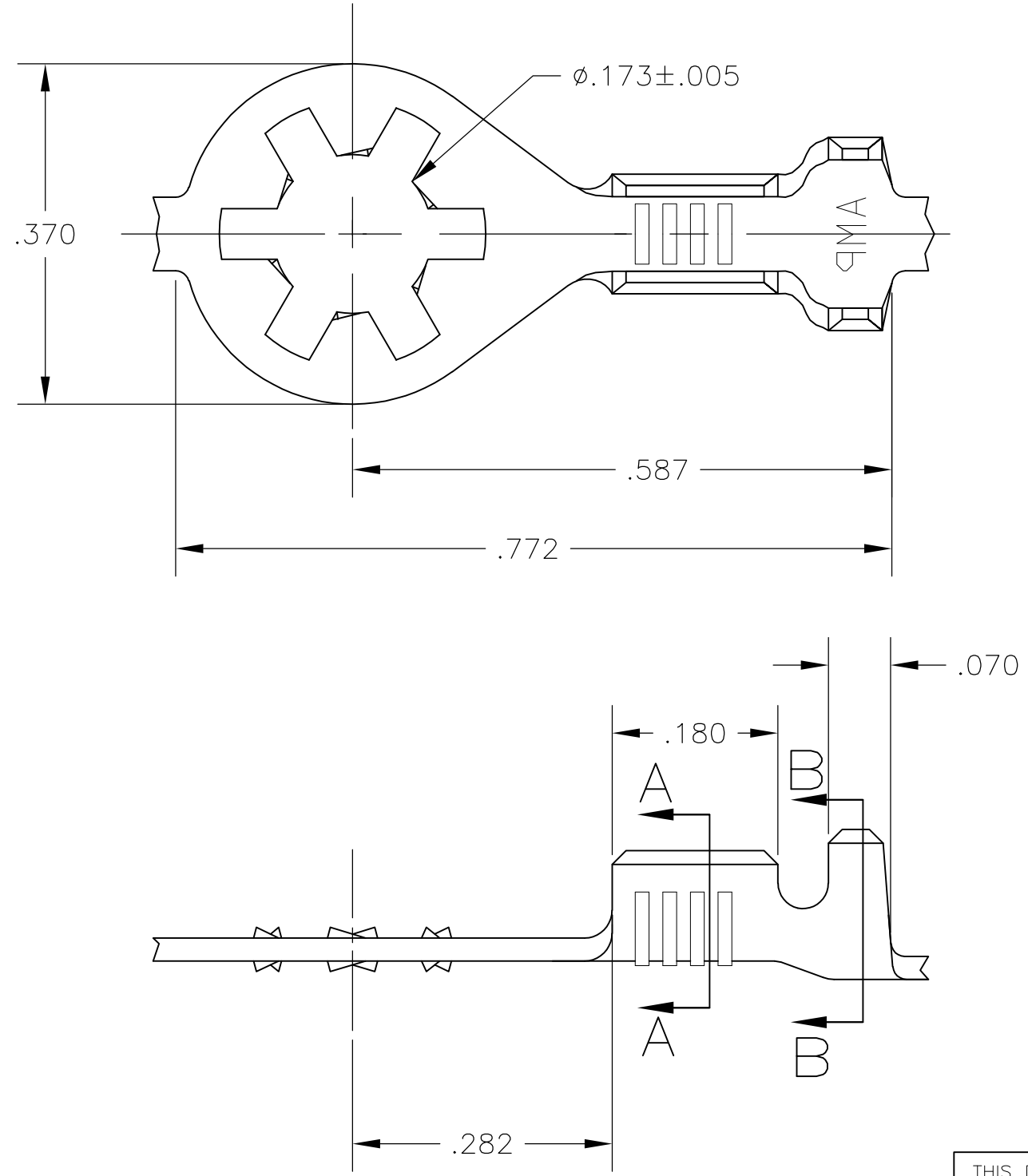


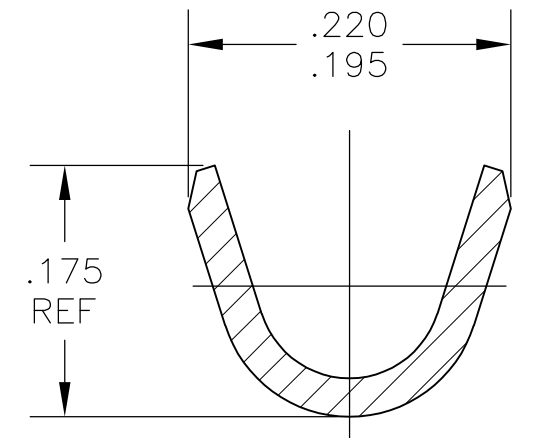
THIS DRAWING IS UNPUBLISHED. RELEASED FOR PUBLICATION
 © COPYRIGHT - By - ALL RIGHTS RESERVED.

REVISIONS				
P	LTR	DESCRIPTION	DATE	APVD
	C2	REVISED PER ECR-15-016346	07MAY2016	NK LP

- 1 CONTINUOUS STRIP ON REELS
- 2 WIRE SIZE IS #22-#18 AWG
- 3 INSULATION RANGE IS .080-.120 DIA



SECTION A-A



SECTION B-B

OBSOLETE	NICKEL	.025 STEEL	—640204-2—
	TIN	.025 STEEL	640204-1
	FINISH	MATERIAL	PART NO.

THIS DRAWING IS A CONTROLLED DOCUMENT.		DWN RAGHAVENDRA 26SEP2007	STE TE Connectivity													
DIMENSIONS: INCHES		CHK D DECKER 26SEP2007														
TOLERANCES UNLESS OTHERWISE SPECIFIED:		APVD D DECKER 26SEP2007	NAME													
<table border="0"> <tr><td>0 PLC</td><td>± -</td></tr> <tr><td>1 PLC</td><td>± -</td></tr> <tr><td>2 PLC</td><td>± -</td></tr> <tr><td>3 PLC</td><td>± .015</td></tr> <tr><td>4 PLC</td><td>± -</td></tr> <tr><td>ANGLES</td><td>± -</td></tr> </table>		0 PLC	± -	1 PLC	± -	2 PLC	± -	3 PLC	± .015	4 PLC	± -	ANGLES	± -	PRODUCT SPEC	RING	
0 PLC	± -															
1 PLC	± -															
2 PLC	± -															
3 PLC	± .015															
4 PLC	± -															
ANGLES	± -															
MATERIAL SEE TABLE		APPLICATION SPEC	SIZE	CAGE CODE												
FINISH SEE TABLE		WEIGHT	A3	00779												
		CUSTOMER DRAWING	DRAWING NO	RESTRICTED TO												
			C-640204	—												
		SCALE	SHEET	REV												
		6:1	1 OF 1	C2												