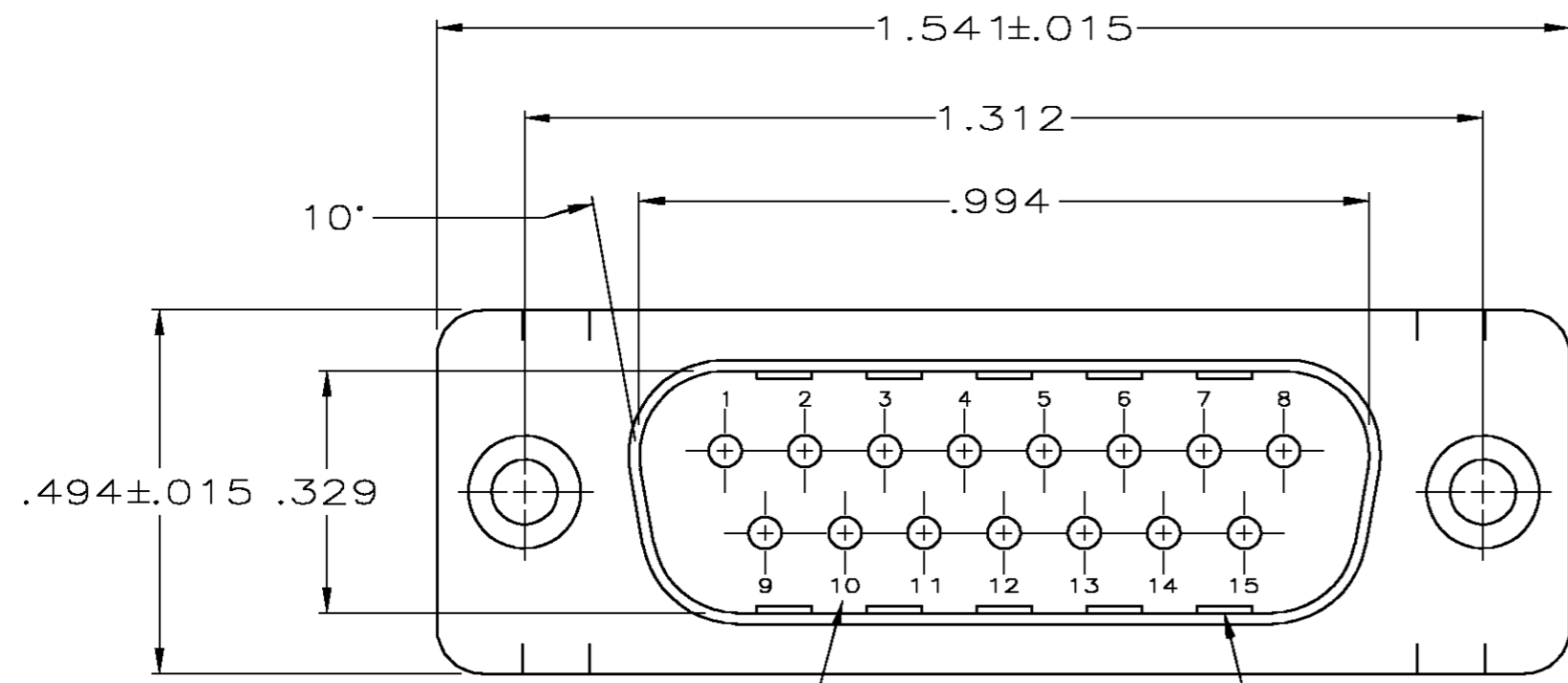


THIS DRAWING IS UNPUBLISHED. RELEASED FOR PUBLICATION
 © COPYRIGHT BY TYCO ELECTRONICS CORPORATION. ALL RIGHTS RESERVED.

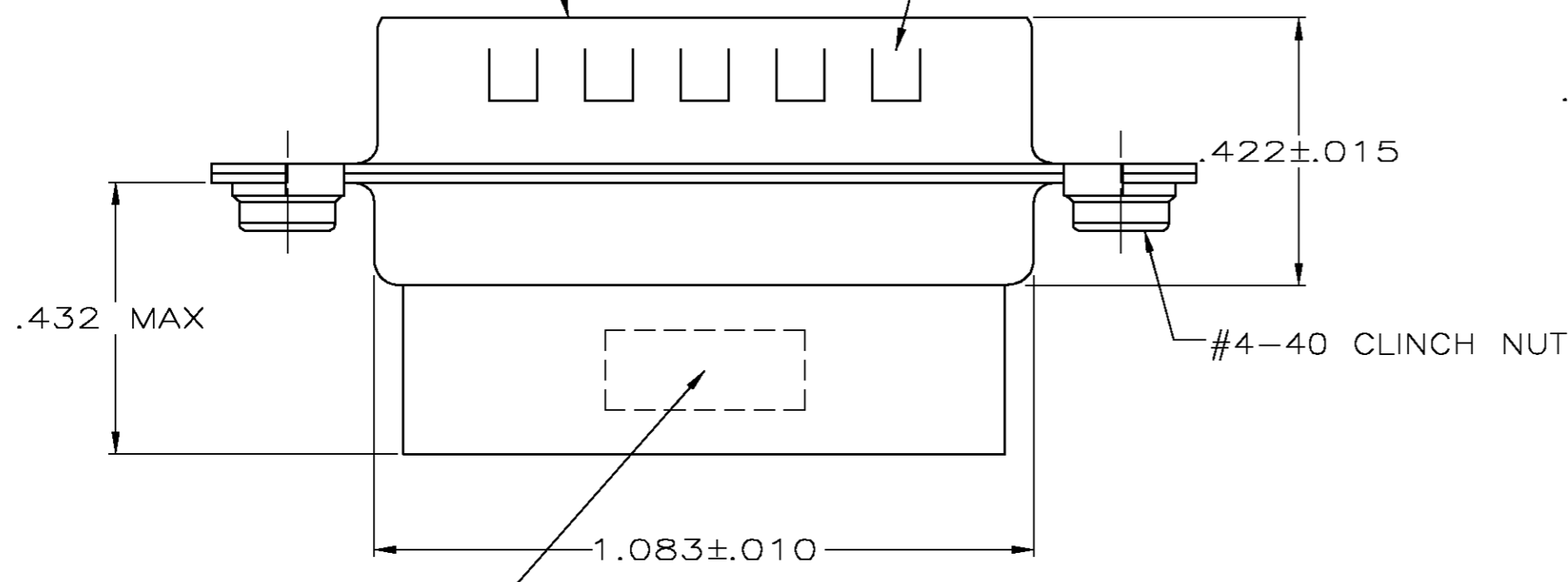
| LOC | DIST | REVISIONS | | | |
|-----|------|-------------|------------------------------|----------|-------|
| P | LTR | DESCRIPTION | DATE | DWN | APVD |
| GP | 00 | 0 | RELEASED PER EC 0S13-0257-04 | 11-10-04 | GA JG |



RAISED CAVITY IDENTIFICATION

GROUNDING INDENTS

MATING FACE



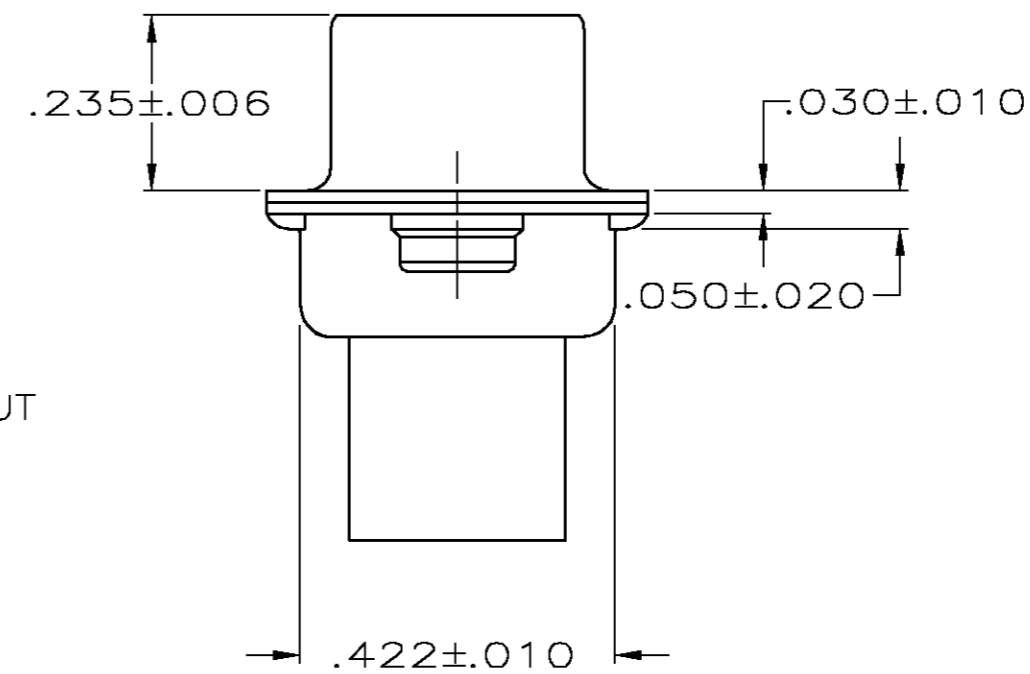
MANUFACTURERS LOGO, PART NO & DATE CODE, MARKED IN AREA INDICATED, ON FAR SIDE

1. CONNECTOR ACCEPTS SIZE 20 DF PIN CONTACTS, RETENTION TINES ARE AN INTEGRAL PART OF INSERT.

2. MOLDED PARTS: FLAME RETARDANT 94V-0 RATED THERMOPLASTIC; COLOR: BLACK.

3. SHELLS & CLINCH NUTS: STEEL PER ASTM A109.

4. SHELLS: .000200 MIN TIN OVER .000100 MIN COPPER. CLINCH NUTS: CLEAR CHROMATE OVER ZINC.



5745908-2

PART NUMBER

| | | | | |
|--|--|------------------------------------|--|--|
| THIS DRAWING IS A CONTROLLED DOCUMENT. | | DWN 11-10-04 G. ATTADIA - DOCK5 | Tyco Electronics Corporation Harrisburg, PA 17105-3608 | |
| DIMENSIONS: INCHES | | CHK 11-10-04 J. GERACE | | |
| TOLERANCES UNLESS OTHERWISE SPECIFIED: | | APVD 11-10-04 M. WALMSLEY | NAME | |
| 0 PLC ± - | | PRODUCT SPEC | PLUG CONNECTOR, SIZE 2, 15 POS, W/CLINCH NUTS, AMPLIMITE HDP | |
| 1 PLC ± - | | APPLICATION SPEC | SIZE CAGE CODE DRAWING NO RESTRICTED TO | |
| 2 PLC ± - | | 108-40005 | A2 00779 C=5745908 | |
| 3 PLC ± .005 | | 114-40030 | SCALE 4:1 SHEET 1 OF 1 REV 0 | |
| 4 PLC ± - 2 | | WEIGHT - | | |
| ANGLES ± 2 | | CUSTOMER DRAWING | | |
| FINISH | | | | |