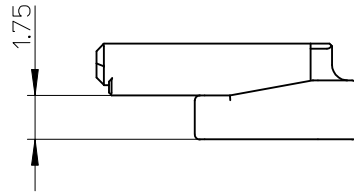
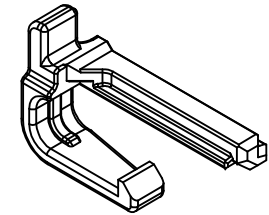
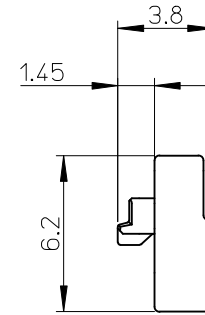
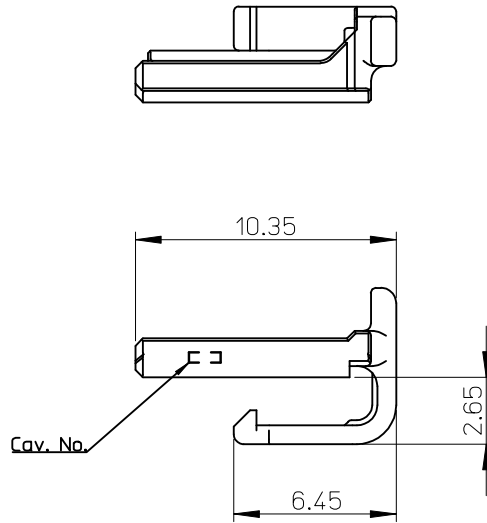
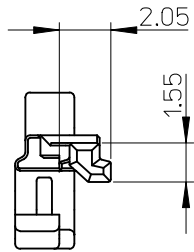


GENERAL TOLERANCE										USED ON
10 MAX	30 MAX	50 MAX	70 MAX	100 MAX	120 MAX	250 MAX	250 OVR	ANGLE	ECCENT	
±0.15	±0.20	±0.30	±0.40	±0.50	±0.75	±0.90	±1.4	±0.5°	0.1	



NOTES:

1. MATERIALS: POLYESTER (PBT), GLASS FILLED, UL94V-0; COLOR: GRAY
2. APPLICABLE HOUSING : 560123-0400
3. GENERAL TOLERANCES : SEE TABLE
4. ELV AND RoHS COMPLIANT
5. PRODUCT SPECIFICATION: PS-560123-001
6. PACKING SPECIFICATION: PK-560125-001

ORDER NO	MATERIAL NO
560125-0400	5601250400

NEW RELEASE EC NO: KTR2014-0051 DRWN: YIBA EK 2014/07/03 CHKD: APPR: SRTAK 2014/08/26	DESCRIPTION REV	QUALITY SYMBOLS	GENERAL TOLERANCES (UNLESS SPECIFIED) <table border="1"> <tr> <td></td> <td>mm</td> <td>INCH</td> </tr> <tr> <td>4 PLACES</td> <td>± ---</td> <td>± ---</td> </tr> <tr> <td>3 PLACES</td> <td>± ---</td> <td>± ---</td> </tr> <tr> <td>2 PLACES</td> <td>± ---</td> <td>± ---</td> </tr> <tr> <td>1 PLACE</td> <td>± ---</td> <td>± ---</td> </tr> <tr> <td colspan="3">ANGULAR ± ---°</td> </tr> </table>		mm	INCH	4 PLACES	± ---	± ---	3 PLACES	± ---	± ---	2 PLACES	± ---	± ---	1 PLACE	± ---	± ---	ANGULAR ± ---°			DIMENSION STYLE	SCALE	DESIGN UNITS	THIRD ANGLE PROJECTION
				mm	INCH																				
		4 PLACES		± ---	± ---																				
		3 PLACES		± ---	± ---																				
		2 PLACES		± ---	± ---																				
1 PLACE	± ---	± ---																							
ANGULAR ± ---°																									
			MM ONLY	5:1	METRIC	☉ □																			
			DRAWN BY	DATE	TITLE																				
			YIBA EK	2014/07/03	NEW 2.0 PITCH W/B CONN REC.4WAY ISL DURA CLIK™ ISL SERIES																				
			CHECKED BY	DATE	MOLEX INCORPORATED																				
			APPROVED BY	DATE	MATERIAL NO. DOCUMENT NO. SHEET NO.																				
			SRTAK	2014/08/26	SEE TABLE SD-560125-002 1 OF 1																				
			DRAFT WHERE APPLICABLE MUST REMAIN WITHIN DIMENSIONS				THIS DRAWING CONTAINS INFORMATION THAT IS PROPRIETARY TO MOLEX INCORPORATED AND SHOULD NOT BE USED WITHOUT WRITTEN PERMISSION																		