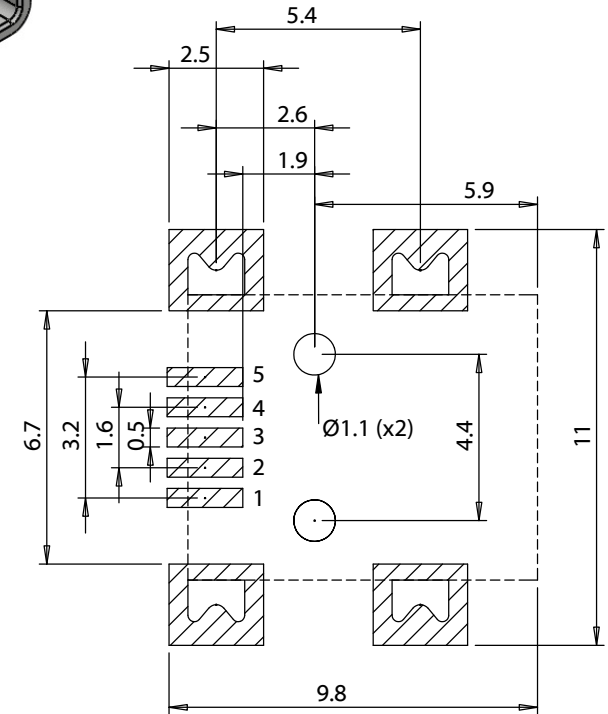
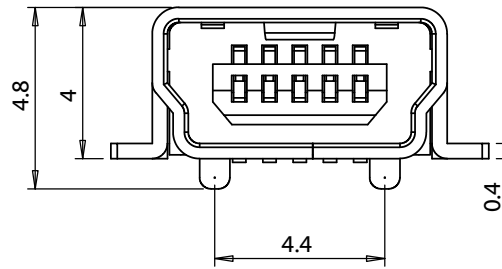
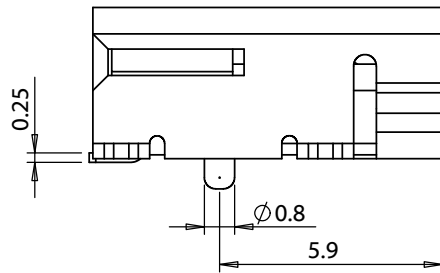
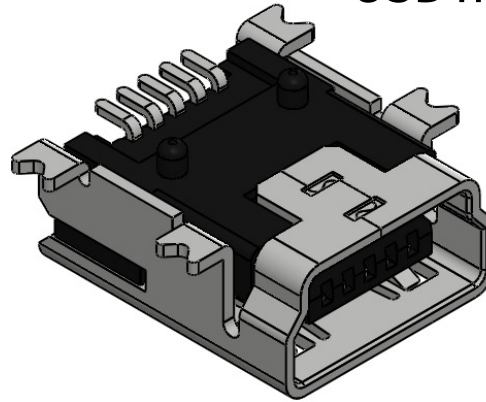
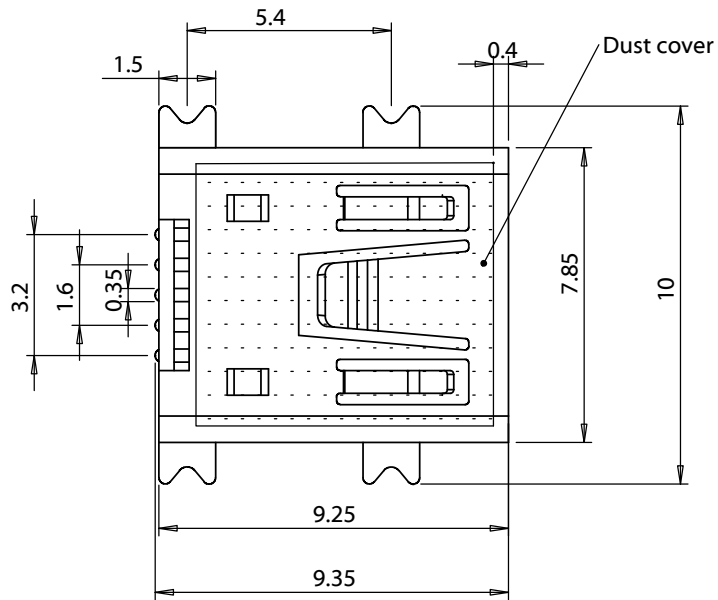


# USB mini B jack 90° SMT mount



**NOTES**  
RoHS and REACH compliant

# TENSILITY

20802 Sockeye Place #130  
Bend, OR 97701 USA  
tel 541.323.3228 fax 541.323.4202  
800 877.670.7118 www.tensility.com

**DIMENSIONS ARE IN MILLIMETERS**

**TOLERANCES:**  
Up to 1.0: ± 0.1 mm  
1.0 to 10.0: ± 0.2 mm  
Over 10.0: ± 0.3 mm

**DESCRIPTION:**  
Connector, USB mini B Jack, SMT mount, 90°, nickel shell, black insulator

<b>SIZE</b>	<b>PART NUMBER</b>
A	54-00021

SCALE: 1:1

SHEET 1 OF 2

